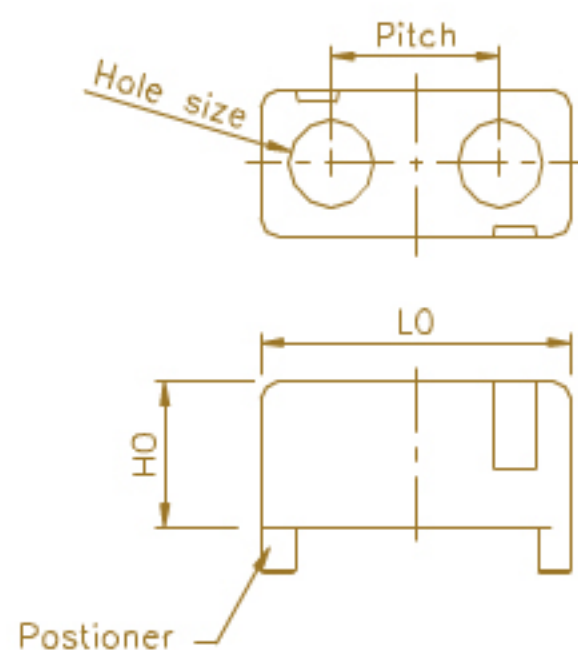


Housing

Housing Figure

Unit:mm



NOTES:

INSULATOR :PA9T/LCP (UL94V-0)

COLOR :BLACK

Housing List

Housing P/N	Pin	Pitch	Hole size	Length L O	Width W O	Height H O	Positioner
01A000-H 0	1	0.00	1.50	4.10	2.50	2.30	YES
02A250-H 0	2	2.50	1.50	5.40	2.50	3.00	NO
02A260-H 0	2	2.60	1.50	5.40	2.50	2.10	YES
02A300-H 0	2	3.00	1.60	6.00	6.46	5.20	YES
02A350-H 0	2	3.50	1.50	7.60	2.50	2.35	YES
02A370-H 0	2	3.70	1.60	8.40	2.90	5.30	YES
02A400-H 0	2	4.00	1.50	7.40	2.50	3.30	NO
02A500-H 0	2	5.00	1.50	8.60	2.50	1.60	YES
02A508-H 0	2	5.08	1.50	7.60	2.50	2.95	NO
02A650-H 0	2	6.50	1.50	9.20	2.50	2.50	NO
02C350-H 0	2	3.50	1.50	7.60	2.50	2.35	NO
02D350-H 0	2	3.50	1.50	6.80	3.40	1.50	NO
02F300-H 0	2	3.00	1.50	5.10	2.50	2.00	YES
02G350-H 0	2	3.50	1.50	6.20	2.50	2.30	NO
02H350-H 0	2	3.50	1.50	6.20	2.50	2.00	NO
02I350-H 0	2	3.50	1.50	8.00	2.50	7.00	YES
03A215-H 0	3	2.15	1.50	7.40	2.80	1.90	YES
03A250-H 0	3	2.50	1.50	8.60	2.50	1.60	YES
03A300-H 0	3	3.00	1.50	10.10	2.50	2.10	YES
03A350-H 0	3	3.50	1.50	11.10	2.50	2.80	YES
03B250-H 0	3	2.50	1.50	7.60	2.50	4.40	NO
03B300-H 0	3	3.00	1.50	10.10	2.50	1.50	YES
03C250-H 0	3	2.50	1.50	8.60	2.50	2.50	NO
03D250-H 0	3	2.50	1.50	8.60	2.50	3.00	YES
03E250-H 0	3	2.50	1.50	7.60	2.50	1.80	NO
03F250-H 0	3	2.50	1.50	8.60	2.50	1.60	NO
03G250-H 0	3	2.50	1.50	7.60	2.50	1.60	NO
04A215-H 0	4	2.15	1.50	9.80	2.50	1.60	YES
04A250-H 0	4	2.50	1.50	11.00	2.50	2.45	YES
04B215-H 0	4	2.15	1.50	9.80	2.80	1.90	YES
04B220-H 0	4	2.20	1.50	11.00	3.20	5.10	YES
04B250-H 0	4	2.50	1.50	10.10	2.50	2.50	NO
05A250-H 0	5	3.00×2.50	1.50	15.00	3.00	1.20	YES
05A280-H 0	5	2.80	1.50	15.40	3.00	3.00	YES
05B250-H 0	5	2.50×2.00	1.50	8.00	4.50	2.00	NO
05C250-H 0	5	2.50×2.00	1.50	8.00	4.50	2.50	NO
05C254-H 0	5	2.54×2.00	1.50	8.00	4.50	3.00	NO