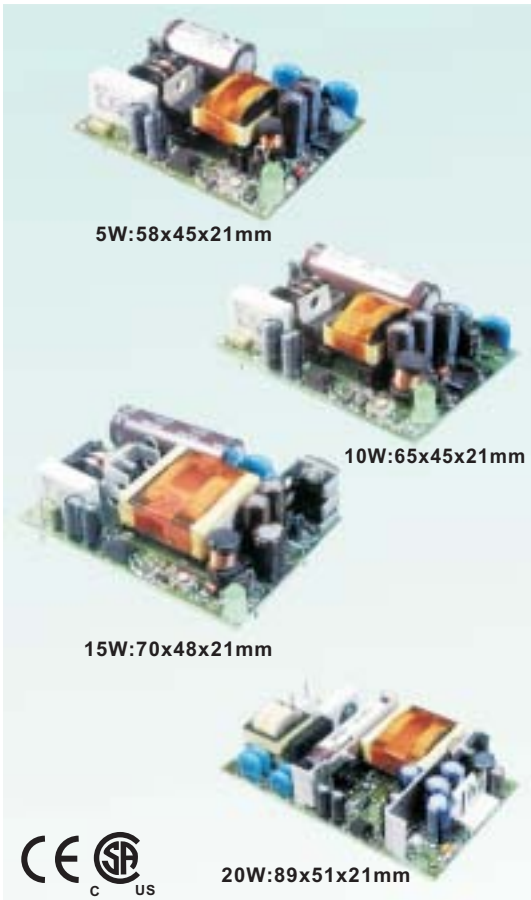


OPEN FRAME MODULAR SWITCHING POWER SUPPLY

5W,10W,15W,20W Single Output Switching Power Supply

PICTURES



SPECIFICATIONS

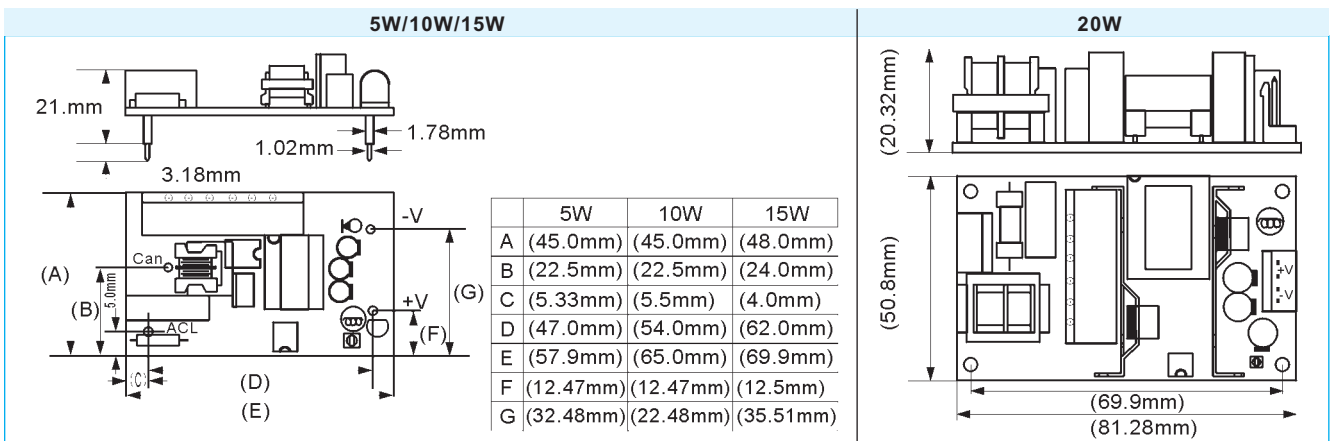
Input voltage 85 ~ 264VAC;120 ~ 370VDC
 Input frequency. 47-440Hz
 Inrush current. cold start.25A/115V,45A/ 230V
 (40A/230V for 5W series)
 Output voltage. refer to below table (CH1: $\pm 10\%$ AD J.)
 Ripple. <2% (p-p)
 Overload protection. above 150% output pulsing mode
 Over voltage protection. 115% ~ 135%
 Setup, rise, hold up time. 150ms,20ms, 20ms/115VAC
 150ms,20ms,80ms/230VAC for 5W
 150ms,20ms,17ms/115VAC
 150ms,20ms,80ms/230VAC for 10W
 150ms,20ms,17ms/115VAC
 150ms,20ms,50ms/230VAC for 15W
 300ms,160ms,17ms/115VAC
 300ms,160ms,50ms/230VAC for 20W
 Withstand voltage. I/P-O/P:3.0KVAC
 Insulation resistance. >100M Ω (output) and (input,FG)
 Working temperature. -10 $^{\circ}$ C ~ 50 $^{\circ}$ C@100%,+60 $^{\circ}$ C@60%
 Storage temperature. -25~65 $^{\circ}$ C
 Operation humidity. 25~85%RH
 EMI Standards. IEC-1000-3-2,3,FCC class B
 EMC Standards. EN61000-4-2,3,4,5,
 Vibration 10~55HZ, 0.375mm amplitude at X,Y,Z
 axial for about 2H
 Shock. 294m/s²{30G}at 6 surfaces for three times
 Desire life. >8 years (load 50% at +40 $^{\circ}$ C)
 Weight. 40gs/5W,50gs/10W /70gs/15W,100gs/20W

FEATURES

- Low cost,high reliability
- High efficiency, low working Temp.
- Built in EMI filter, low ripple noise
- Compact size, light weight
- 100% full load burn-in test
- Short circuit/ over load/over voltage protected
- Universal AC input/full range
- Approvals:UL/TUV/CE
- Approvals:CE/ CSA:219967-1426940

※ Type

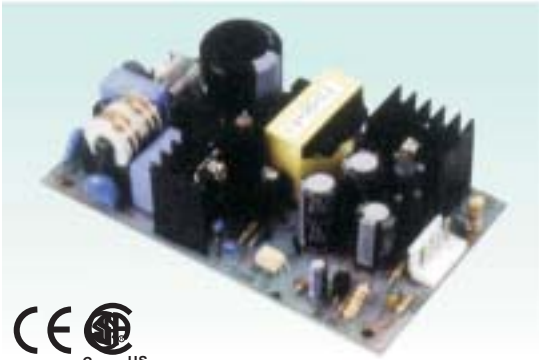
Type No .	Output	ToI.	R & N	Effi .
SP-O005S005P-FB	5V : 1.00A	$\pm 2\%$	50mV	63%
SP-O005S012P-FB	12V : 0.42A	$\pm 2\%$	150mV	67%
SP-O005S015P-FB	15V : 0.33A	$\pm 2\%$	150mV	67%
SP-O005S024P-FB	24V : 0.23A	$\pm 2\%$	240mV	68%
SP-O010S005P-FB	5V : 2.00A	$\pm 2\%$	50mV	67%
SP-O010S012P-FB	12V : 0.85A	$\pm 2\%$	150mV	73%
SP-O010S015P-FB	15V : 0.67A	$\pm 2\%$	150mV	74%
SP-O010S024P-FB	24V : 0.42A	$\pm 2\%$	240mV	74%
SP-O015S005P-FB	5V : 3.00A	$\pm 2\%$	50mV	68%
SP-O015S012P-FB	12V : 1.25A	$\pm 2\%$	150mV	74%
SP-O015S015P-FB	15V : 1.00A	$\pm 2\%$	150mV	75%
SP-O015S024P-FB	24V : 0.63A	$\pm 2\%$	240mV	78%
SP-O020S005P-FB	5V : 4.40A	$\pm 2\%$	50mV	70%
SP-O020S012P-FB	12V : 1.80A	$\pm 2\%$	150mV	76%
SP-O020S015P-FB	15V : 1.40A	$\pm 2\%$	150mV	76%
SP-O020S024P-FB	24V : 0.92A	$\pm 2\%$	240mV	78%



OPEN P.C.B. SWITCHING POWER SUPPLY

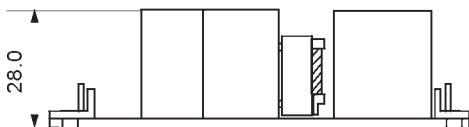
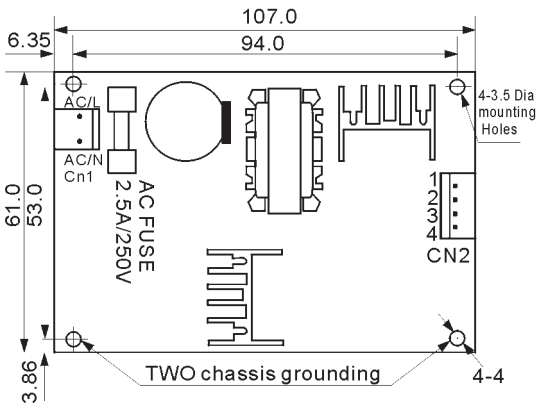
25W 1~2 Output Switching Power Supply

PICTURE 107x61x30mm



SPECIFICATIONS

Input voltage range85 ~ 264VAC, 120 ~ 370VDC
 Input frequency.47-63Hz
 Inrush current. cold start, 20A/115V, 40A/ 230V
 Ripple. <2%(p-p)
 Overload protection. >105% output pulsing mode
 Leakage current. <0.5mA
 Withstand voltage. I/P-O/P:3KV, I/P-FG:1.5KV, 1min
 Insulation resistance. >100MΩ (output) and (input, FG)
 Operating temperature. 0-50°C@100%, -10°C@80%, 60°C@60% load
 Storage temperature. -25~65°C
 Operation humidity. 25~85%RH
 EMI Standards. IEC-1000-3-2,3, FCC class B
 EMC Standards. EN61000-4-2,3,4,5,
 Vibration. 10~55HZ, 0.375mm amplitude at X,Y,Z axial for about 2H
 Shock 294m/s²{30G} at 6 surfaces for three times
 Desire life. >8 years (load 50% at +40°C)
 Weight 0.15kgs



※ Single output

Type No .	Output	Tol.	R & N	Effi.
SP-O025S03P-FB	3.3V 5A	±3%	80mV	66%
SP-O025S005P-FB	5V 5A	±2%	80mV	74%
SP-O025S07P5-FB	7.5V 3.3A	±2%	80mV	76%
SP-O025S012P-FB	12V 2.1A	±2%	100mV	78%
SP-O025S13P5-FB	13.5V 1.9A	±2%	100mV	78%
SP-O025S015P-FB	15V 1.7A	±2%	100mV	78%
SP-O025S024P-FB	24V 1A	±2%	240mV	79%
SP-O025S027P-FB	27V 0.9A	±2%	240mV	79%
SP-O025S048P-FB	48V 0.5A	±2%	350mV	79%

※ Dual output

Type No .	Output	Tol.	R & N	Effi.
SP-O025N012P-FB	5V 2.10A	±2%	50mV	71%
	12V 1.20A	±6%	150mV	
SP-O025N024P-FB	5V 1.20A	±2%	50mV	77%
	24V 0.80A	±6%	200mV	
SP-O025N005N-FB	5V 2.50A	±6%	50mV	73%
	-5V 2.50A	±6%	50mV	
SP-O025N012N-FB	12V 1.00A	±4%	50mV	74%
	-12V 1.00A	±4%	50mV	
SP-O025N015N-FB	15V 0.80A	±4%	50mV	75%
	-15V 0.80A	±4%	50mV	
SP-O025N005P-FB	3.3V 2.50A	±5%	50mV	70%
	5V 2.50A	±5%	50mV	

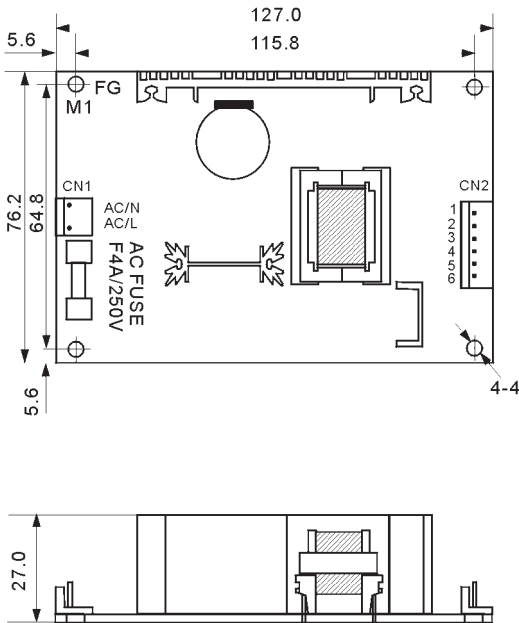
FEATURES

- Low cost, high reliability
- High efficiency, low working temp
- Built in EMI filter, low ripple noise
- Compact size, light weight
- 100% full load burn-in test
- Short circuit/over voltage overload protection
- International AC input range
- Approvals: UL/CUL/TUV/CE
- Approvals: CE/ CSA:219967-1426940
- 1 years warranty

OPEN P.C.B. SWITCHING POWER SUPPLY

45W 1~3 Output Switching Power Supply

PICTURE 127x76.2x30mm



SPECIFICATIONS

Input voltage range 90 ~ 264VAC, 120 ~ 370VDC
 Input frequency 47-440Hz
 Inrush current cold start, 20A/115V, 40A/230V
 Output voltage refer to below table (V1: +10, -5% AD J.)
 Ripple <2%(p-p)
 Overload protection 53 ~ 75W output pulsing mode
 Leakage current <0.5mA
 Withstand voltage I/P-O/P: 3KV, I/P-FG: 1.5KV,
 O/P-FG: 0.5KV1min
 Insulation resistance >100M Ω (output) and (input, FG)
 Operating temperature 0-45°C@100%, -10°C@80%
 60°C@50%, load
 Storage temperature -25~65°C
 Operation humidity 25~85%RH
 EMI Standards IEC-1000-3-2,3, FCC class B
 EMC Standards EN61000-4-2,3,4,5
 Vibration 10~55HZ, 0.375mm amplitude at X, Y, Z axial
 for about 2H
 Shock 294m/s²{30G} at 6 surfaces for three times
 Desire life >8 years (load 50% at +40°C)
 Weight 0.23kgs

※ Single output

Type No .	Output	Tol.	R & N	Effi .
SP-O045S03P3-FB	3.3V : 8.00A	± 3%	80mV	69%
SP-O045S005P-FB	5V : 8.00A	± 3%	100mV	74%
SP-O045S07P5-FB	7.5V : 5.40A	± 3%	100mV	75%
SP-O045S012P-FB	12V : 3.70A	± 2%	100mV	76%
SP-O045S13P5-FB	13.5V : 3.30A	± 2%	100mV	77%
SP-O045S015P-FB	15V : 3.00A	± 2%	100mV	77%
SP-O045S024P-FB	24V : 1.90A	± 2%	100mV	78%
SP-O045S027P-FB	27V : 1.70A	± 2%	100mV	78%
SP-O045S048P-FB	48V : 1.00A	± 2%	100mV	78%

※ Dual output

Type No .	Output	Tol.	R & N	Effi .
SP-O045N012P-FB	+5V : 3.20A	± 4%	50mV	77%
	+12V : 2.00A	± 6%	120mV	
SP-O045N024P-FB	+5V : 3.20A	± 4%	50mV	78%
	+24V : 1.20A	± 6%	150mV	

※ Triple output

Type No .	Output	Tol.	R & N	Effi .
SP-O045T005N-FB	+5V : 3.00A	± 4%	50mV	75%
	+12V : 2.00A	± 6%	120mV	
	-5V : 0.30A	± 5%	50mV	
SP-O045T012N-FB	+5V : 3.00A	± 4%	50mV	75%
	+12V : 2.00A	± 6%	120mV	
	-12V : 0.30A	± 5%	100mV	
SP-O045T015N-FB	+5V : 3.00A	± 4%	50mV	75%
	+15V : 1.60A	± 6%	120mV	
	-15V : 0.30A	± 5%	100mV	

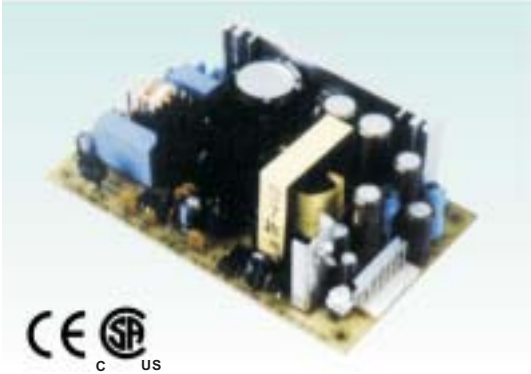
FEATURES

- Low Cost, high reliability
- High efficiency, low working temp.
- Built in EMI filter, low ripple noise
- 100% full load burn-in test
- Short circuit/ over voltage/ overload protection
- Compact size, light weight
- Approvals: CE/ CSA:219967-1426940
- 1 year warranty

OPEN P.C.B. SWITCHING POWER SUPPLY

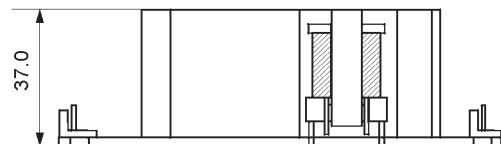
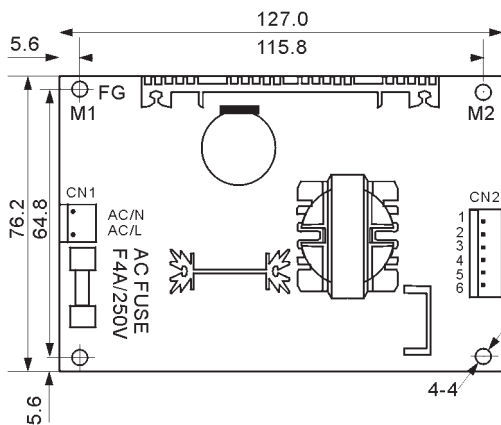
65W 1~3 Output Switching Power Supply

PICTURE 127x76.2x40mm



FEATURES

- Low cost, high reliability
- High efficiency, low working temp.
- Built in EMI filter, low ripple noise
- 100% full load burn-in test
- Short circuit/ over voltage/ overload protection
- Compact size, light weight
- Approvals: CE/ CSA:219967-1426940
- 1 year warranty



SPECIFICATIONS

Input voltage range 90 ~ 264VAC , 120 ~ 370VDC
 Input frequency 47-440Hz
 Inrush current cold start, 20A/115V, 40A/230V
 Output voltage refer to below table (V1:+10,-5% AD J.)
 Ripple <2%(p-p)
 Overload protection 73 ~ 105W output pulsing mode
 Leakage current <0.5mA
 Setup, rise, hold up time. . . 800ms, 20ms, 20ms
 Withstand voltage I/P-O/P:3KV, I/P-FG:1.5KV,
 O/P-FG:0.5KV1min
 Insulation resistance >100M Ω (output) and (input,FG)
 Operating temp. 0-45°C@100%, -10°C@80%, 60°C@50%, load
 EMI Standards IEC-1000-3-2,3, FCC class B
 EMC Standards EN61000-4-2,3,4,5,
 Vibration 10~55HZ, 0.375mm amplitude at X,Y,Z axial
 for about 2H
 Shock 294m/s²{30G} at 6 surfaces for three times
 Desire life >8 years (load 50% at +40°C)
 Weight 0.28kgs

※ Single output

Type No .	Output	Tol.	R & N	Effi .
SP-O065S03P3-FB	3.3V 12A	± 3%	80mV	70%
SP-O065S005P-FB	5V 12A	± 3%	100mV	76%
SP-O065S07P5-FB	7.5V 8A	± 3%	100mV	79%
SP-O065S012P-FB	12V 5.2A	± 2%	100mV	79%
SP-O065S13P5-FB	13.5V 4.7A	± 2%	100mV	79%
SP-O065S015P-FB	15V 4.2A	± 2%	100mV	79%
SP-O065S024P-FB	24V 2.7A	± 2%	100mV	80%
SP-O065S027P-FB	27V 2.4A	± 2%	100mV	80%
SP-O065S048P-FB	48V 1.35A	± 2%	100mV	80%

※ Dual output

Type No .	Output	Tol.	R & N	Effi .
SP-O065N012P-FB	+5V 5.5A	± 4%	50mV	78%
	+12V 2.8A	± 6%	120mV	
SP-O065N024P-FB	+5V 3.5A	± 4%	50mV	81%
	+24V 2A	± 6%	150mV	

※ Triple output

Type No .	Output	Tol.	R & N	Effi .
SP-O065T005N-FB	+5V 5.5A	± 4%	50mV	76%
	+12V 2.5A	± 6%	120mV	
	-5V 0.5A	± 5%	50mV	
SP-O065T012N-FB	+5V 5.5A	± 4%	50mV	77%
	+12V 2.5A	± 6%	120mV	
	-12V 0.5A	± 5%	100mV	
SP-O065T015N-FB	+5V 5.5A	± 4%	50mV	77%
	+15V 2.0A	± 6%	120mV	
	-15V 0.5A	± 5%	100mV	
SP-O065T024P-FB	+5V 4.0A	± 4%	50mV	79%
	+12V 2.0A	± 6%	100mV	
	+24V 1.0A	± 6%	200mV	

OPEN P.C.B. SWITCHING POWER SUPPLY

45 & 65W Triple Output Switching Power Supply

PICTURES



FEATURES

- Low cost, high reliability
- High efficiency, low working temp.
- Built in EMI filter, low ripple noise
- 100% full load burn-in test
- Short circuit/ over voltage/ overload protection
- Compact size, light weight
- Approvals: CE/ CSA:219967-1426940
- 1 year warranty

SPECIFICATIONS

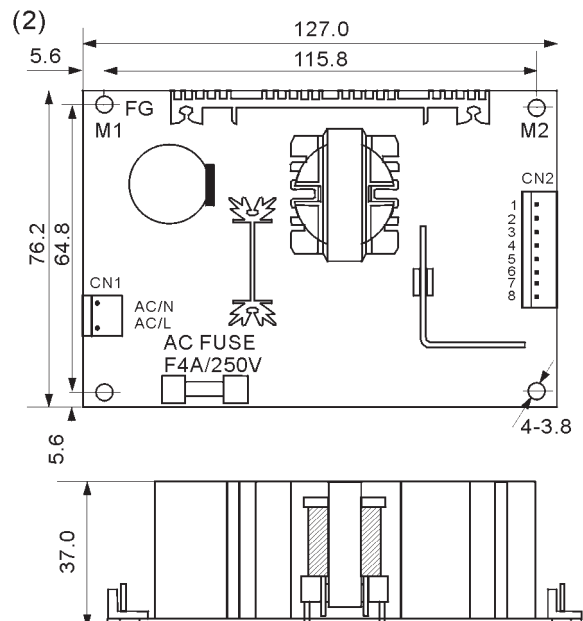
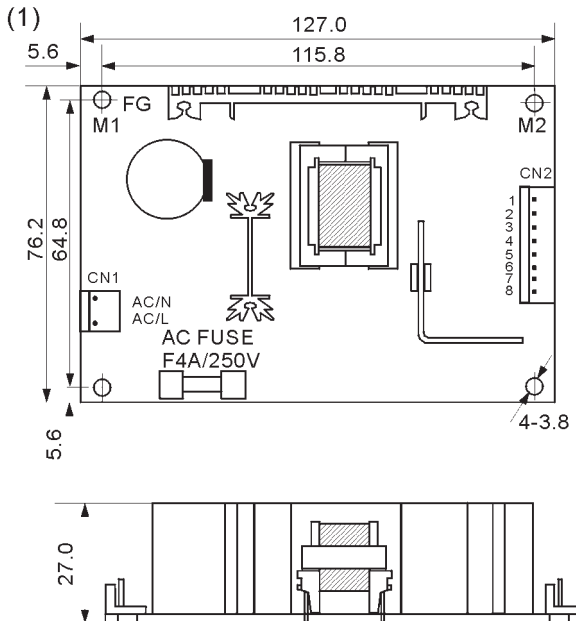
Input voltage range 90 ~ 264VAC , 120 ~ 370VDC
 Input frequency 47-440Hz
 Inrush current cold start, 20A/115V, 40A/230V
 Output voltage refer to below table (3.3v: ± 10% AD J.)
 Ripple <2%(p-p)
 Overload protection 120 ~ 160% output pulsing mode
 Leakage current <1mA
 Setup, rise, hold up time . . . 800ms, 20ms, 16ms
 Withstand voltage I/P-O/P: 3KV, I/P-FG: 1.5KV,
 O/P-FG: 0.5KV 1min
 Insulation resistance >100MΩ (output) and (input, FG)
 Operating temperature -10-30°C @100%, 60°C @40% load 0-50°C
 @100%, 60°C @60% load with cooling fan
 Storage temperature -25~65°C
 Operation humidity 25~85%RH
 EMI Standards IEC-1000-3-2,3, FCC class B
 EMC Standards EN61000-4-2,3,4,5,
 Vibration 10~55HZ, 0.375mm amplitude at X, Y, Z axial
 for about 2H
 Shock 294 m/s²{30G} at 6 surfaces for three times
 Desire life >8 years (load 50% at +40°C)
 Weight 0.25kgs/45W, 0.29kgs/65W

※ Triple output

Type No .	Output	ToI.	R & N	Effi .
SP-O045T012P-FB	+3.3V : 5.0A	± 3%	50mV	72%
	+5V : 7.0A	+4,-2%	50mV	
	+12V : 1.4A	± 8%	100mV	

※ Triple output

Type No .	Output	ToI.	R & N	Effi .
SP-O065T012P-FB	+3.3V : 7.0A	± 5%	50mV	72%
	+5V : 10.0A	+4,-2%	50mV	
	+12V : 1.4A	± 8%	100mV	



OPEN P.C.B. SWITCHING POWER SUPPLY

100W 2, 4 Output Switching Power Supply

PICTURES

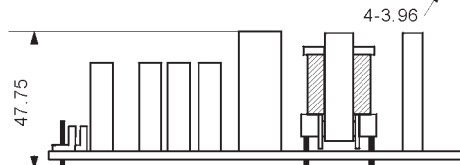
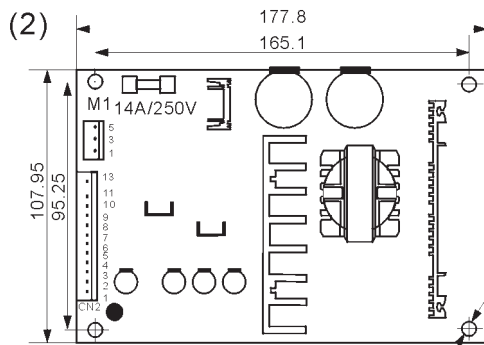
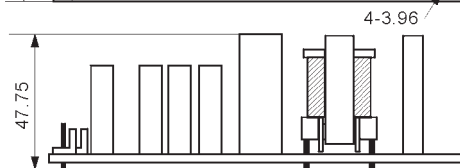
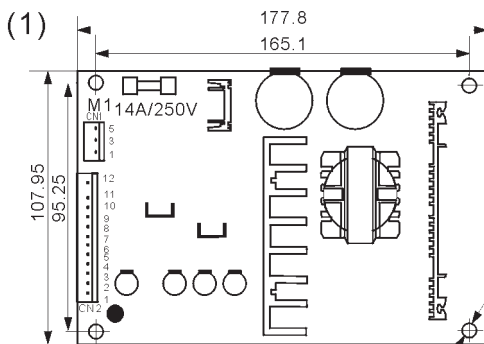


SPECIFICATIONS

Input voltage range 90 ~ 264VAC, 127 ~ 370VDC, 170 ~ 264VAC
 Input frequency 47-63Hz
 Inrush current cold start. 30A/115V, 50A/ 230V
 Output voltage refer to below table (V1:+10, -5% AD J)
 Ripple <2%(p-p)
 Overload protection 105 ~ 135% output pulsing mode
 Leakage current <1mA/240VAC
 Withstand voltage I/P-O/P:3KVAC I/P-FG:1.5KVAC
 O/P-FG:0.5KV, 1min
 Insulation resistance >100MΩ (output) and (input, FG)
 Operating temp -10°C-45°C@80%, 55°C@60%,
 0°C ~ 55°C@100%, 65°C@80% with cooling fan
 Storage temperature -25~65°C
 Operation humidity 25~85%RH
 EMI Standards IEC-1000-3-2,3, FCC class B
 EMC Standards EN61000-4-2,3,4,5
 Vibration 10~55HZ, 0.375mm amplitude at X,Y,Z axial
 for about 2H
 Shock 294m/s²{30G}at 6 surfaces for three times
 Desire life >8 years(load 50% at +40°C)
 Weight 0.5kgs

FEATURES

- Low cost, high reliability
- High efficiency, low working temp.
- Built in EMI filter, low ripple noise
- Compact size, light weight
- 100% full load burn-in test
- Short circuit/over voltage/ overload protection
- Approvals: CE/ CSA: 219967-1426940
- International AC input range
- 1 year warranty



※ Dual output

Type No .	Output	Tol.	R & N	Effi.	
SP-O110N012P-FB	+5V	5A	± 2%	100mV	75%
	+12V	6.5A	± 6%	150mV	
SP-O110N024P-FB	+5V	5A	± 2%	100mV	78%
	+24V	3.5A	± 6%	200mV	

※ Quad output

Type No .	Output	Tol.	R & N	Effi.	
SP-O100Q012N-FB	+5V	10.0A	± 3%	80mV	72%
	+12V	3.5A	± 12%	250mV	
	-5V	0.5A	± 6%	80mV	
	-12V	0.5A	± 6%	120mV	
SP-O100Q015N-FB	+5V	8.0A	± 2%	80mV	74%
	+15V	3.5A	± 6%	150mV	
	-5V	0.5A	± 6%	80mV	
	-15V	0.5A	± 6%	150mV	
SP-O100Q024P-FB	+5V	5.0A	± 2%	80mV	77%
	+12V	2.0A	± 6%	120mV	
	+24V	2.0A	± 10%	180mV	
	-12V	0.5A	± 6%	120mV	
SP-O100Q015P-FB	+5V	5.0A	± 2%	80mV	74%
	+12V	3.0A	± 6%	120mV	
	+15V	1.0A	± 6%	150mV	
	-24V	1.0A	± 6%	120mV	

OPEN P.C.B. SWITCHING POWER SUPPLY

100W Single Output Switching Power Supply

PICTURE 155X75X39mm



SPECIFICATIONS

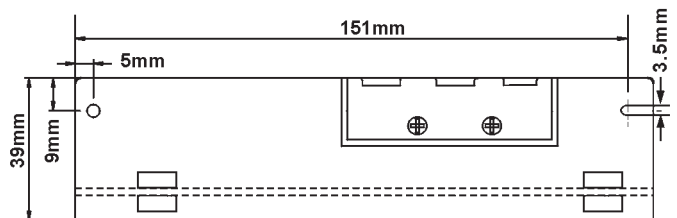
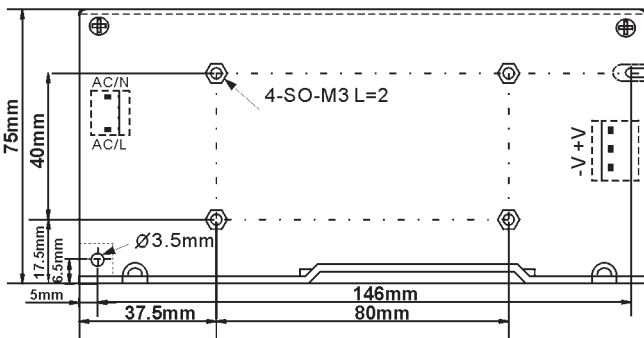
Input voltage range 88 ~ 132VAC , 176 ~ 264VAC
 Input frequency 47-63Hz
 Inrush current cold start, 20A/115V,40A/230V
 Ripple <2%(p-p)
 Overload protection 105% ~ 150% pulsing mode, auto recovery
 Setup, rise, hold up time . . . 1s, 20ms, 20ms
 Withstand voltage I/P-O/P: 1.5KV, I/P-FG: 1.5KV,
 O/P-FG: 0.5KV 1min
 Insulation resistance >100MΩ (output) and (input, FG)
 Operating temperature -10°C ~ +50°C @ 80% load, over 80% load
 with cooling fan
 Storage temperature -25 ~ 65°C
 Operation humidity 25 ~ 85% RH
 EMI Standards IEC-1000-3-2, 3, FCC class B
 EMC Standards EN61000-4-2, 3, 4, 5
 Vibration 10~55HZ , 0.375mm amplitude at X, Y, Z axial
 for about 2H
 Shock 294m/s²{0G} at 6 surfaces for three times
 Desire life >8years (load 50% at +40°C)
 Weight 0.4kgs

FEATURES

- Low cost, high reliability
- High efficiency, low working temp.
- Built in EMI filter, low ripple noise
- Compact size, light weight
- Short circuit/ over voltage/ overload protection
- International AC input range
- Approvals: CE/ CSA: 219967-1426940
- 100% full load burn-in test

※ Type

Type No .	Output	ToI.	R & N	Effi .
SP-O100S03P3-FF	3.3V : 20.0A	± 3%	150mV	76%
SP-O100S005P-FF	5V : 20.0A	± 2%	75mV	80%
SP-O100S07P5-FF	7.5V : 13.3A	± 2%	100mV	80%
SP-O100S012P-FF	12V : 8.4A	± 2%	120mV	81%
SP-O100S013P-FF	13V : 8.0A	± 2%	120mV	82%
SP-O100S015P-FF	15V : 6.7A	± 2%	120mV	82%
SP-O100S024P-FF	24V : 4.2A	± 1%	150mV	82%
SP-O100S027P-FF	27V : 3.8A	± 1%	150mV	82%
SP-O100S048P-FF	48V : 2.1A	± 1%	200mV	82%



OPEN P.C.B. SWITCHING POWER SUPPLY

100W Single Output of LPS Series

PICTURE 222X62X35mm



SPECIFICATIONS

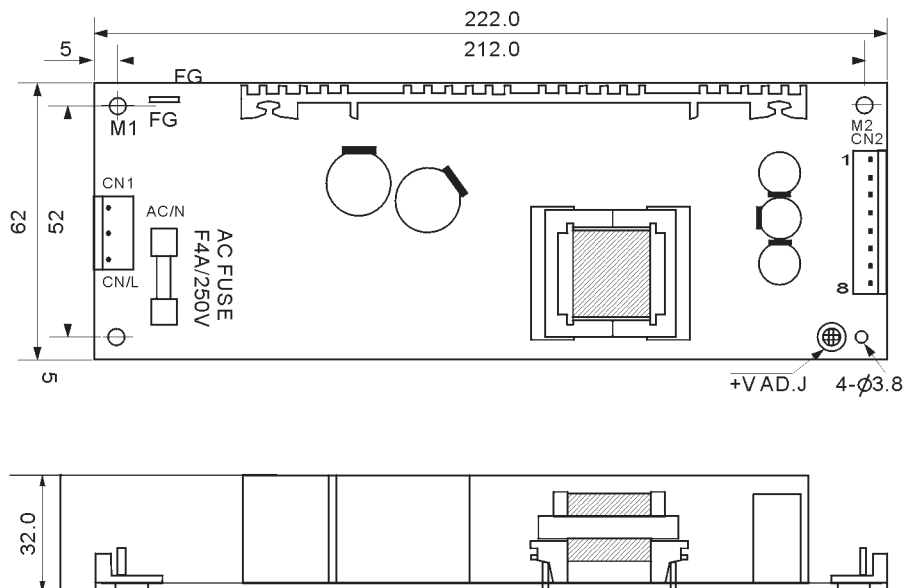
Input voltage 88 ~ 132VAC, 176 ~ 264VAC, auto switch
 Input frequency 47-63Hz
 Inrush current cold start. 30A/115V, 60A/ 230V
 Output voltage refer to below table (± 10% A D J)
 Ripple <2% (p-p)
 Overload protection 105 ~ 140% pulsing mode, auto recovery
 Over voltage protection 110% ~ 135% of output voltage
 Setup, rise, hold up time 800ms, 50ms, 20ms.
 Withstand voltage I/P-O/P: 3KV, I/P-FG: 1.5KV, 1min
 Insulation resistance >100MΩ (output) and (input, FG)
 Working temperature 0°C-40°C@100%, -10°C@80%, 60°C@50%
 Storage temperature -25~65°C
 Operation humidity 25~85%RH
 EMI Standards IEC-1000-3-2, 3, FCC class B
 EMC Standards EN61000-4-2, 3, 4, 5
 Vibration 10~55HZ, 0.375mm amplitude at X, Y, Z axial
 for about 2H
 Shock 294m/s²{30G} at 6 surfaces for three times
 Desire life >8 years (load 50% at +40°C)
 Weight 0.4kgs

FEATURES

- Low cost, high reliability
- High efficiency, low working temp
- Built in EMI filter, low ripple noise
- Compact size, light weight
- 100% full load burn-in test
- Short Circuit/protection
- Over load/ voltage protection
- Universal AC input auto switch
- Approvals: CE/ CSA: 219967-1426940

※ Type

Type No .	Output	ToI.	R & N	Effi.
SP-O100S03P3-AF	3.3V 20A	±3%	150mV	69%
SP-O100S005P-AF	5V 20A	±3%	100mV	77%
SP-O100S07P5-AF	7.5V 13.3A	±2%	100mV	77%
SP-O100S012P-AF	12V 8.4A	±2%	100mV	79%
SP-O100S13P5-AF	13.5V 7.5A	±2%	100mV	79%
SP-O100S015P-AF	15V 6.7A	±2%	100mV	80%
SP-O100S024P-AF	24V 4.2A	±1%	150mV	80%
SP-O100S027P-AF	27V 3.8A	±1%	150mV	81%
SP-O100S048P-AF	48V 2.1A	±1%	200mV	81%



OPEN P.C.B. SWITCHING POWER SUPPLY

150W Single Output of LPS Series

PICTURE

222X75X41mm



FEATURES

- Low cost, high reliability
- High efficiency, low working temp.
- Built in EMI filter, low ripple noise
- Compact size, light weight
- 100% full load burn-in test
- Short Circuit/protection
- Over load/ voltage protection
- Universal AC input auto switch
- Approvals: CE/ CSA:219967-1426940

SPECIFICATIONS

Input voltage. 88 ~ 132VAC, 176 ~ 264VAC, auto switch
 Input frequency. 47-63Hz
 Inrush current. cold start. 30A/115V, 60A/ 230V
 Output voltage. refer to below table (± 10% AD J)
 Ripple. <2% (p-p)
 Overload protection. 105% ~ 140% pulsing mode, auto recovery
 Over voltage protection . . . 110% ~ 135% of output voltage
 Setup, rise hold up time . . . 800ms, 50ms, 20ms.
 Withstand voltage. I/P-O/P:3KV, I/P-FG:1.5KV, 1min.
 Insulation resistance. >100MΩ (output) and (input, FG)
 Working temperature. 0°C-30°C@100%, -10°C@80%, 60°C@50%
 Storage temperature. -25~65°C
 Operation humidity. 25~85%RH
 EMI Standards. IEC-1000-3-2,3, FCC class B
 EMC Stancards. EN61000-4-2,3,4,5
 Vibration 10~55HZ, 0.375mm aplitude at X,Y,Z axial
 for about 2H
 Shock. 294m/s²{30G}at 6 surfaces for three times
 Desire life. >8years (load 50% at +40°C)
 Weight. 0.6kgs

※ Type

Type No .	Output	ToI.	R & N	Effi .
SP-O150S03P3-AF	3.3V : 30A	± 3%	100mV	69%
SP-O150S005P-AF	5V : 30A	± 3%	100mV	74%
SP-O150S07P5-AF	7.5V : 20A	± 2%	100mV	77%
SP-O150S012P-AF	12V : 12.5A	± 2%	100mV	79%
SP-O150S13P5-AF	13.5V : 11.2A	± 2%	100mV	79%
SP-O150S015P-AF	15V : 10A	± 2%	150mV	80%
SP-O150S024P-AF	24V : 6.3A	± 1%	150mV	80%
SP-O150S027P-AF	27V : 5.6A	± 1%	200mV	81%
SP-O150S048P-AF	48V : 3.2A	± 1%	200mV	81%

