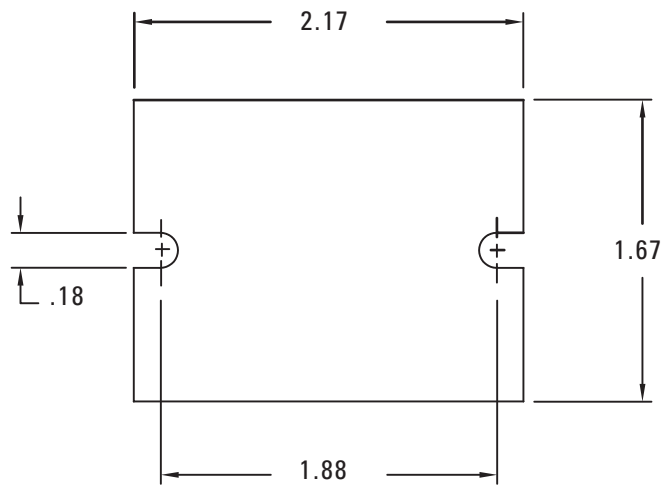


- Maximize Thermal Conductivity
- Low Thermal Resistance
- 100% Grease Free
- Precut to Fit Industry Standard Size Packages
- Easy Application

Crydom Heat Transfer Pads offer a clean, ease-to-use and grease-free alternative to conventional mica or grease while maximizing the thermal conductivity. Installation is simple, pads are die cut to fit perfectly with Crydom SSR's. To order heat transfer pad attached to panel mount relays, add suffix "H" to part number.

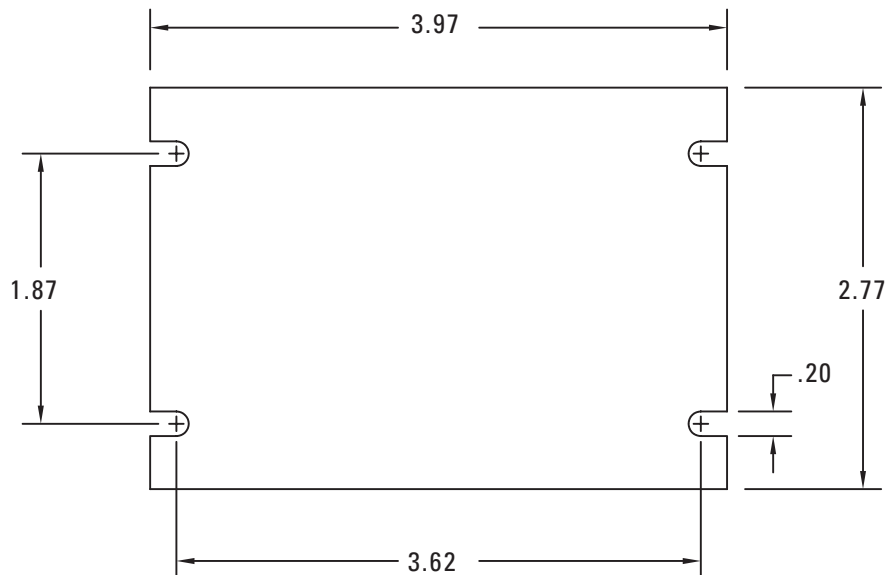
### TP01

All Single Phase Panel Mount SSRs, Auxiliary Function Modules and M50 Power Modules.



### TP03

Three Phase (53TP)



All dimensions are in inches

© 2005 CRYDOM CORP, Specifications subject to change without notice.