



Lighting fit for the job ...

◆ **LIGHTING**
FOR INDUSTRIAL
APPLICATIONS

Made in Germany



... for optimum

sharpness

- Internal power output control
- Homogeneous luminous field
- High protection class IP 67
- External trigger input
- High efficiency
- Low levels of heat produced
- Adjustable light intensity
- Various possible forms of attachment
- Light colours: white, red, infrared, blue, green
- Sturdy housing design

LIGHTING ELEMENTS

Optimum lighting for all uses

di-soric provides an extensive range of lighting for industrial applications. This includes **panel, reflected, spot** and **ring lights** as well as customised designs.

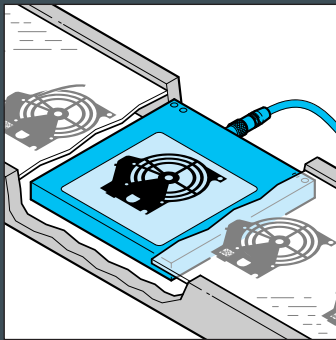
The internal power output control ensures a constant level of light intensity over the entire voltage range of 10... 35 VDC.

These lights are perfectly suited for illuminating workstations or machines and for providing supplementary light for image processing systems or inspection work.

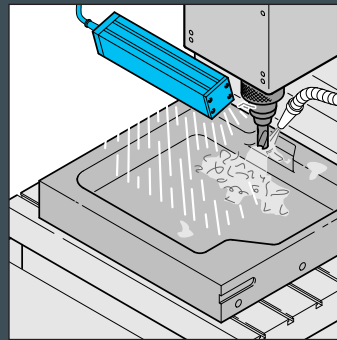
di-soric lights are very robust and have a high protection class of IP 67.



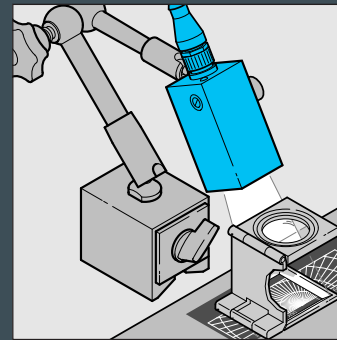
High protection class IP 67



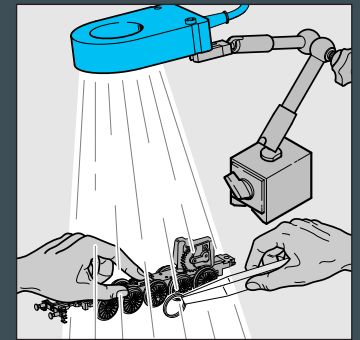
Panel light
for monitoring contours on sheet parts



Reflected light
at workstations affected by dirt and coolant



Spot light
for visual monitoring of quality



Ring light
uniformly illuminating a manual labour station

© di-soric | We accept no responsibility for the correctness of the information provided | Subject to change | Dated 01/09

Technical data (typ.)	+20 °C, 24 VDC
Service voltage	10 ... 35 VDC
Protection class	IP67 (IP 65 only BEK 1-A ...)
Ambient temperature	0 ... +60°C

Purchase order table	White light	Red light	Infrared light
----------------------	-------------	-----------	----------------

Panel lights

Illuminated area	White light		Red light	
	50x50 mm	BEK 1-F50/50 G5TI-IBS	BEK 1-F50/50 G1TI-IBS	
100x100 mm	BEK 1-F100/100 G5TI-IBS	BEK 1-F100/100 G1TI-IBS		

Reflected light in individual length version

Profile length	White light		Red light	
	300 mm	BEK 1-A300-G5TI-IBS	BEK 1-A300-G1TI-IBS	
500 mm	BEK 1-A500-G5TI-IBS	BEK 1-A500-G1TI-IBS		

Spot light

Angle of reflected beam	White light		Red light		Infrared light	
	14°	BEK 1-P14-G5TI-IBS	BEK 1-P14-G1TI-IBS		BEK 1-P14-G0TI-IBS	
30°	BEK 1-P30-G5TI-IBS	BEK 1-P30-G1TI-IBS		BEK 1-P30-G0TI-IBS		

Ring light

Ring diameter	White light	Red light
ø 50 mm	BEK 1-R50-G5TI-IBS	BEK 1-R50-G1TI-IBS

You will find more equipment from this product group at www.di-soric.de