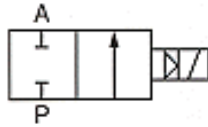


## Features:

- This 2/2-way solenoid valve is designed to be used for dust collector, featuring large flow and quick reaction.  
The valve body is made of gravity diecast Aluminum, resisting high pressure.
- The exhaust can connect to a 1/4" muffler, assuring no noise.
- The diaphragm is made of NBR plus nylon fiber, assuring no breaking after long-time application.



Normally closed



## Specifications:

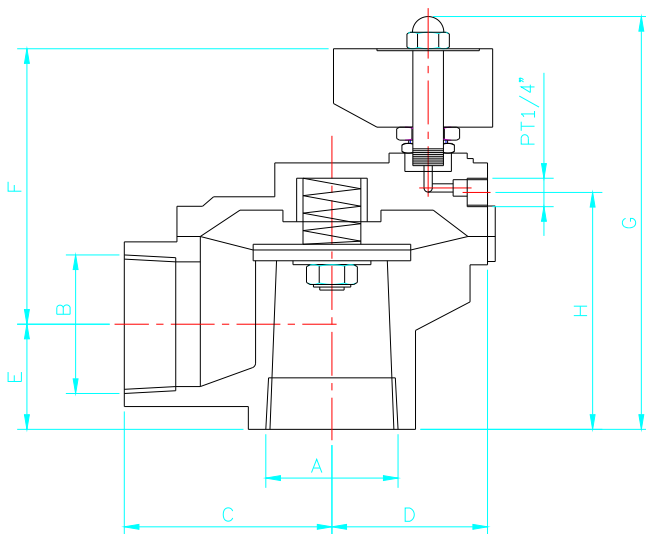
| Model  | Port size | Orifice (mm) | CV value | Fluid temp. (°C) | Seal disc | Differential pressure kg/cm <sup>2</sup> (bar) | Weight (kg) |
|--------|-----------|--------------|----------|------------------|-----------|--|-------------|
|        |           |              |          |                  |           | Air  |             |
| WE 200 | 3/4"      | 20           | 9.5      | -10<br> <br>80   | NBR       | 0.5-9.9  | 1.0         |
| WE 250 | 1"        | 27           | 18.5     |                  |           | 0.5-9.9  | 1.2         |
| WE 400 | 1 1/2"    | 40           | 45       |                  |           | 0.5-8  | 2.0         |

## How to Order:

|               |                   |   |  |   |                                   |
|---------------|-------------------|---|--|---|-----------------------------------|
| <b>WE</b>     | <b>200</b>        | - | <b>A11</b>   | <b>C</b>  | <b>G</b>                          |
| <b>Series</b> | <b>Model</b>      |   | <b>Voltage</b>                                     | <b>Connector</b>  | <b>Thread</b>                     |
|               | 200<br>250<br>400 |   | A11 AC110V<br>A22 AC220V<br>D12 DC12V<br>D24 DC24V | None:<br>Standard (With lamp)<br>DIN 43650/ISO 4400<br>C: Lead wire | None-PT(RC)<br>G-BSP(PF)<br>N-NPT |

## External Dimensions:

Unit: mm



| Model  | A      | B      | C  | D  | E    | F     | G   | H    |
|--------|--------|--------|----|----|------|-------|-----|------|
| WE 200 | 3/4"   | 3/4"   | 40 | 33 | 25   | 90    | 129 | 58.5 |
| WE 250 | 1"     | 1"     | 47 | 37 | 32   | 100   | 143 | 71.5 |
| WE 400 | 1 1/2" | 1 1/2" | 77 | 55 | 48.5 | 109.5 | 172 | 97.2 |

## Notes:

1. Direct-acting valves are ideally suited to allocate at any angle.
2. Voltage drop range is within ±10%.
3. Pressure of voltage DC is 70% of voltage AC only.
4. The exhaust can connect to a 1/4" muffler, assuring no noise.

## Inapplicable Fluids:

1. Corrosive fluids.