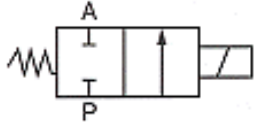


Features:

- Being systematically manufactured, this unit features compactness, large flow, and low power consumption.
- Diaphragm is made of Viton and coated with Teflon, suitable for acid & alkali corrosive fluids.



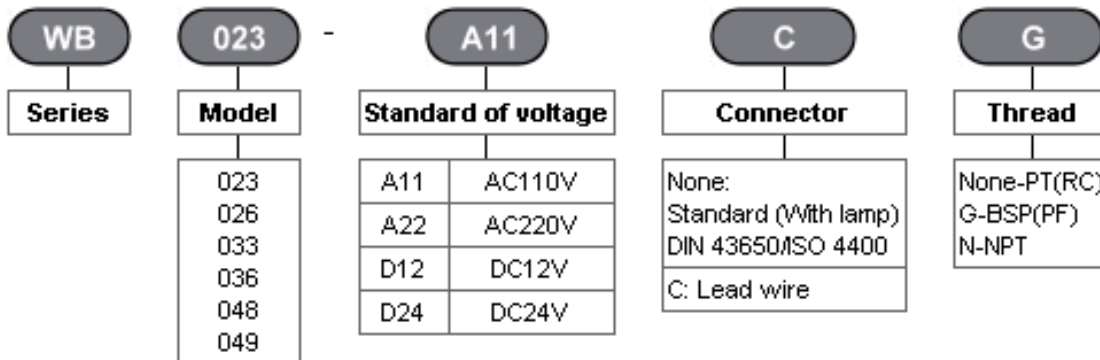
Normally closed



Specifications:

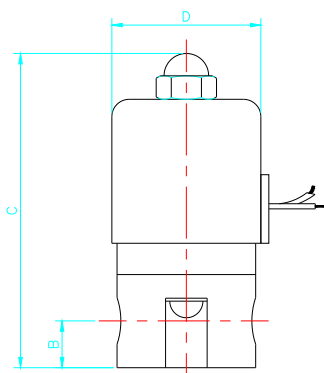
Model	Port size	Orifice (mm)	CV valve	Fluid temp. (°C)	Seal disc	Differential pressure kg/cm ² (bar)	Weight (kg)
						Acid/Alkali Fluids	
WB 023	1/4"	3	0.26	-10 40	PTFE	0-2	0.35
WB 026	1/4"	6	1.12			0-0.5	0.35
WB 033	3/8"	3	0.26			0-5	0.55
WB 036	3/8"	6	1.12			0-1	0.55
WB 048	1/2"	8	1.40			0-1	1.50
WB 049	1/2"	12	3.30			0-0.5	1.50

How to Order:

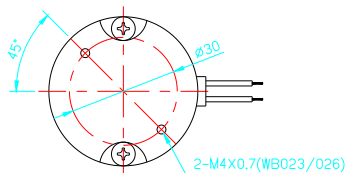


External Dimensions:

Unit: mm



Model	A	B	C	D
WB 023/026	40	12.5	89	42
WB 033/036	50	13.5	120	52
WB 048/049	70	19	155	60



Notes:

1. Direct-acting valves are ideally suited to allocate at any angle.
2. Voltage drop range is within $\pm 10\%$.
3. Max. temperature is up to 80°C .
4. Strong corrosive fluids, air suitable.

Inapplicable Fluids:

1. Fluids that have kinematic viscosity over 50 CST.
2. Fluids that will turn to liquid after being heated and become solid after being cooled.