

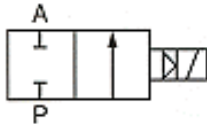
# Suitable for Water, Hot water, Air, Gas, Slight acid & alkali, Vacuum

## Features:

- Being systematically manufactured this unit features compactness, large flow, and low power consumption.
- Waterproof coil is suitable for high-humidity areas.
- Combined diaphragm design assures no breaking.



Normally closed



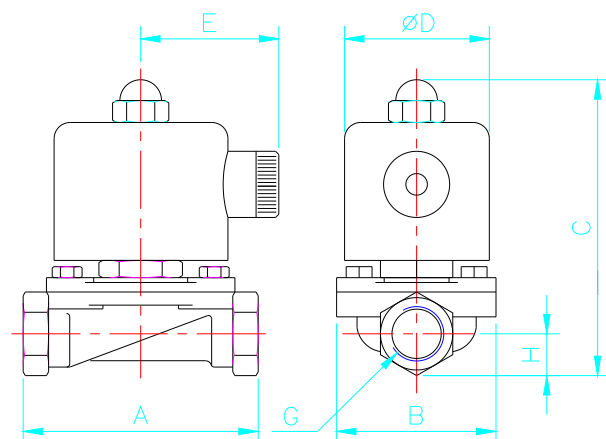
## Specifications:

Model	Port size	Orifice (mm)	CV valve	Fluid temp. (°C)	Seal disc	Differential pressure kg/cm <sup>2</sup> (bar)					Weight (kg)
						Water	Air	Gas	Naphtha(120°C)	Vacuum	
WAS 140	3/8"	15	4.5	-10   80 (120)	NBR Silicone EPDM Viton®	0-10	0-10	0-10	0-10	0-10 <sup>-6</sup> torr	1.03
WAS 150	1/2"	15	4.5			0-10	0-10	0-10	0-10	0-10 <sup>-6</sup> torr	1.06
WAS 200	3/4"	20	9.3			0-10	0-10	0-10	0-10	0-10 <sup>-6</sup> torr	1.24
WAS 250	1"	25	13.2			0-10	0-10	0-10	0-10	0-10 <sup>-6</sup> torr	1.51
WAS 350	1 1/4"	35	26			0-10	0-10	0-10	0-10	0-10 <sup>-6</sup> torr	2.87
WAS 400	1 1/2"	35	26			0-10	0-10	0-10	0-10	0-10 <sup>-6</sup> torr	2.77
WAS 500	2"	50	48			0-7	0-7	0-7	0-5	0-10 <sup>-6</sup> torr	4.81
WAS 25F	1" Flange	25	13.2			0-10	0-10	0-10	0-10	0-10 <sup>-6</sup> torr	5.35
WAS 35F	1 1/4" Flange	35	26			0-10	0-10	0-10	0-10	0-10 <sup>-6</sup> torr	7.75
WAS 40F	1 1/2" Flange	35	26			0-10	0-10	0-10	0-10	0-10 <sup>-6</sup> torr	7.8
WAS 50F	2" Flange	50	48			0-7	0-7	0-7	0-5	0-10 <sup>-6</sup> torr	11.0

## How to Order:

WAS	150	A	S	-	A11	C	G
Series	Model	Application	Seal disc		Voltage	Connector	Thread
	150 200 280 400 500	None-Liquid (water, hot water) A-Air G-Gas S-Slight acid & alkali V-Vacuum	N-NBR(BUNA N) S-Silicone E-EPDM V-Viton®(FKM) T-PTFE		A11 AC110V A22 AC220V D12 DC12V D24 DC24V	None: Standard (With lamp) DIN 43650/ISO 4400 C: Lead wire	None-PT(RC) G-BSP(PF) N-NPT

## External Dimensions:



Unit: mm

Model	A	B	C	D	E	F	G	H
WAS 150	75	52	103	AC:40	AC:65*	AC:38	1/2"	14.5
WAS 200	85	60	114				3/4"	18
WAS 250	100	70	120	DC:56	DC:70*	DC:37	1"	23
WAS 400	120	90	140				1 1/2"	33
WAS 500	150	120	160				2"	40.5

## Notes:

1. Direct-acting valves are ideally suited to allocate at any angle.
2. Voltage drop range is within ±10%.
3. Pressure of voltage DC is 70% of voltage AC only.
4. Max. temperature is up to 120°C.
5. Silver shading ring is custom-made.

## Inapplicable Fluids:

1. Fluids that have kinematic viscosity over 50 CST.
2. Fluids that will turn to liquid after being heated and become solid after being cooled.
3. Strong corrosive fluids.