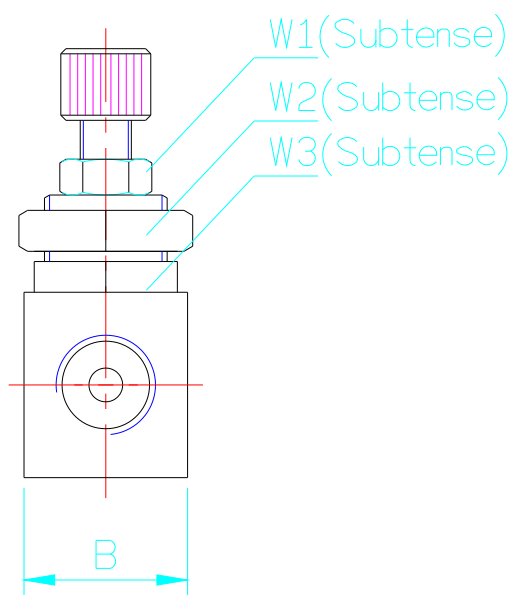
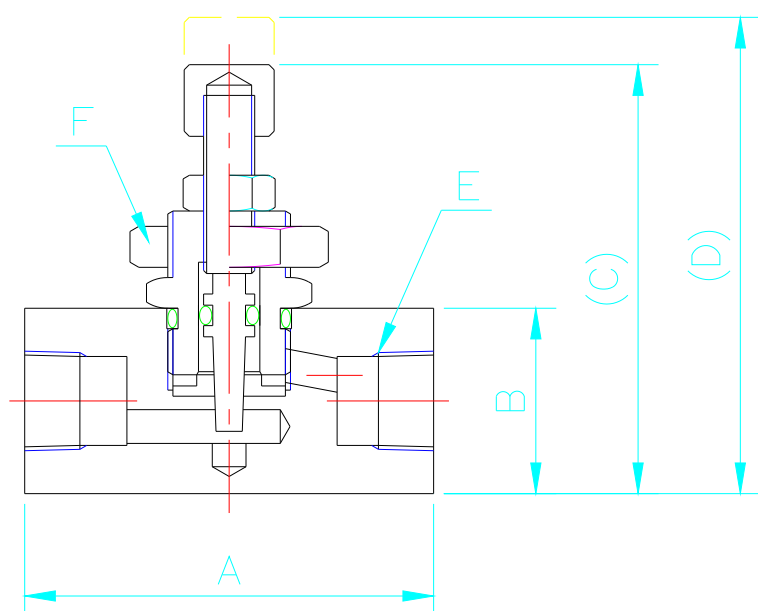


Specifications:

| | | | |
|--|--------------------------------------|-------|-------|
| Model | VX01 | VX02 | VX03 |
| Operating fluid | Air | | |
| Port size | PT1/8 | PT1/4 | PT3/8 |
| Operating Pressure kgf/cm² | 0~9.9kgf/cm ² (0~0.99Mpa) | | |
| Max. pressure | 15kgf/cm ² (1.5Mpa) | | |
| Temp. range | 5~60°C | | |
| Weight | 72g | 130g | |



| Model \ Item | A | B | C | D | E | F | W1 | W2 | W3 |
|--------------|----|----|----|----|-------|----------|----|----|----|
| VX01 | 45 | 19 | 46 | 53 | PT1/8 | M14x1.25 | 11 | 17 | 17 |
| VX02 | 45 | 19 | 46 | 53 | PT1/4 | M14x1.25 | 11 | 17 | 17 |
| VX03 | 55 | 25 | 52 | 59 | PT3/8 | M14x1.25 | 11 | 17 | 23 |