

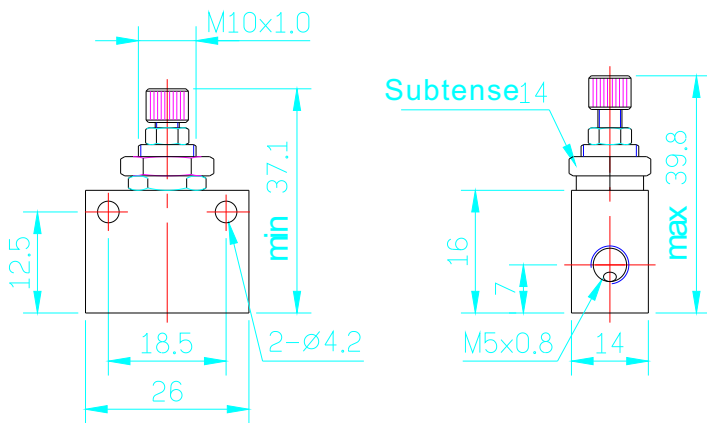
Specifications:

| Model | VWM5 | VW01 | VW02 | VW03 | VW04 |
|------------------------------------|--------------|-------|-------|-------|--------|
| Symbol | | | | | |
| Port size | M5 | G1/8" | G1/4" | G3/8" | G1/2" |
| Operating fluid | Air | | | | |
| Pressure range kgf/cm ² | 0~10(0~1Mpa) | | | | |
| Flow | A→B (NI/min) | 0~45 | 0~100 | 0~650 | 0~1000 |
| | B→A (NI/min) | 55 | 145 | 1000 | 1500 |
| Temp. range | -10~60°C | | | | |
| Weight | 31 | 54 | 111 | 105 | 173 |

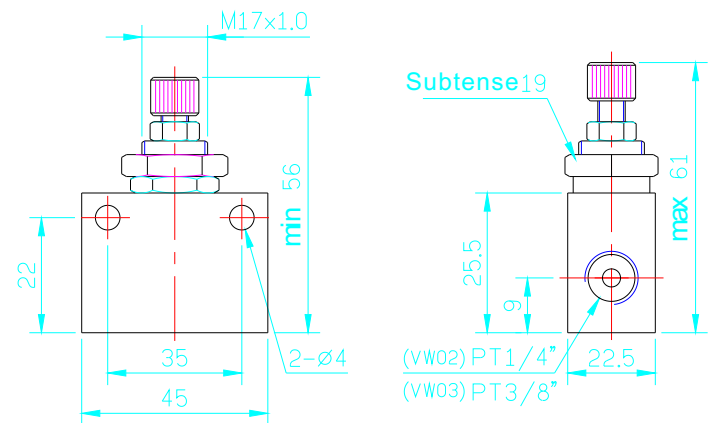


External Dimensions:

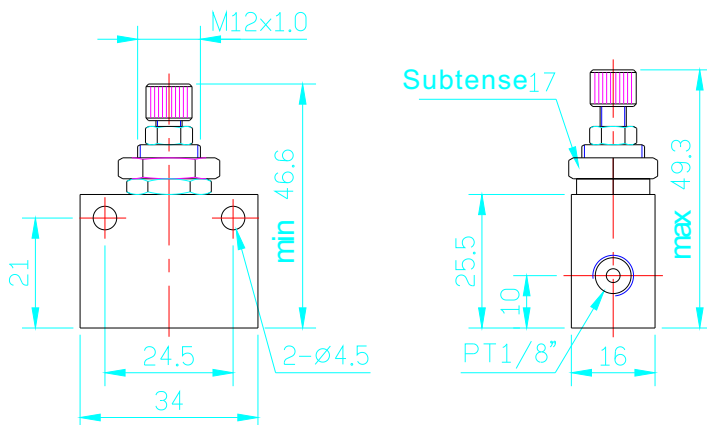
• VWM5



• VW02, VW03



• VW01



• VW04

