

Specifications:

Model	VM610	
Ports size	1/8"	
Symbol		
Operation	Single solenoid	
Operation	3-port, 2-position	
Effective area	1.54mm ² (0.08)	
Operating fluid	Air or inert gases	
Lubrication	ISO VG32	
Pressure range (kgf/cm²)	1.5~8(0.15~0.8Mpa)	
Max. pressure (kgf/cm²)	10(1Mpa)	
Rated voltage of coil	AC	110, 220, 240 50/60HZ
	DC	12, 24
Allowable voltage tolerance	Rated voltage DC:3V	
Power consumption	AC: 7.5VA DC:3V	
Coil insulation	class F	
Electrical connection	DIN 43650 electrical connector	
Duty cycle	100% ED	
Weight (g)	140	

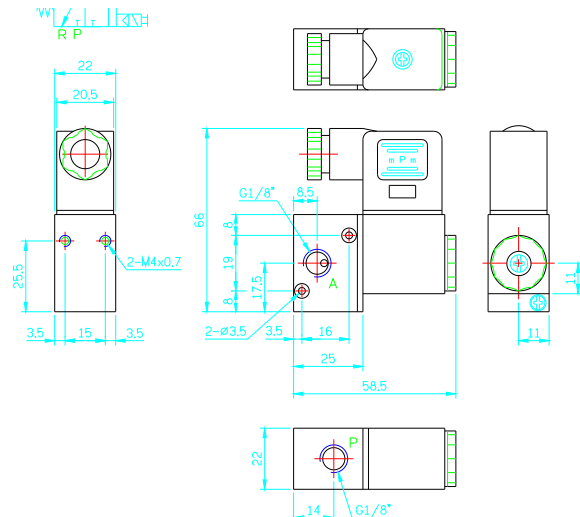


How to Order:

VM	6	1	0	A11	L	M1
Series	Operation	Size of port	Piping	Standard of voltage	Connector	Manifolds
	6 3-port, 2-position Single solenoid 	1 G1/8"	0 Without manifold	A11 AC110V 50/60Hz A22 AC220V 50/60Hz A24 AC240V 50/60Hz D12 DC12V D24 DC24V	None: Standard connector DIN43650 L: Plug connector with lamp DIN43650 S: Plug connector with lamp & surge suppressor DIN43650	M1 M2 M3 M4 M5 M6

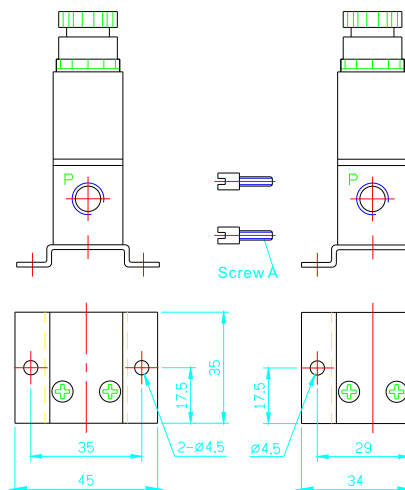
External Dimensions:

- VM 610



Foot Mounting(L):

- Single



- Stack

