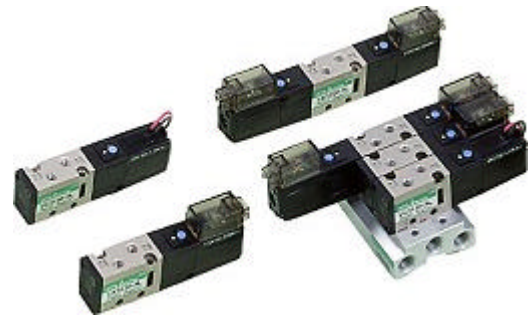


Features:

- Large flow capacity.
- Low power consumption.
- Multiple electrical connector with or without light indicator.
- Special processing treatment for low friction and better abrasion resistance.
- With or without lubrication service.
- Available in individual or manifold mounting.



Specifications:

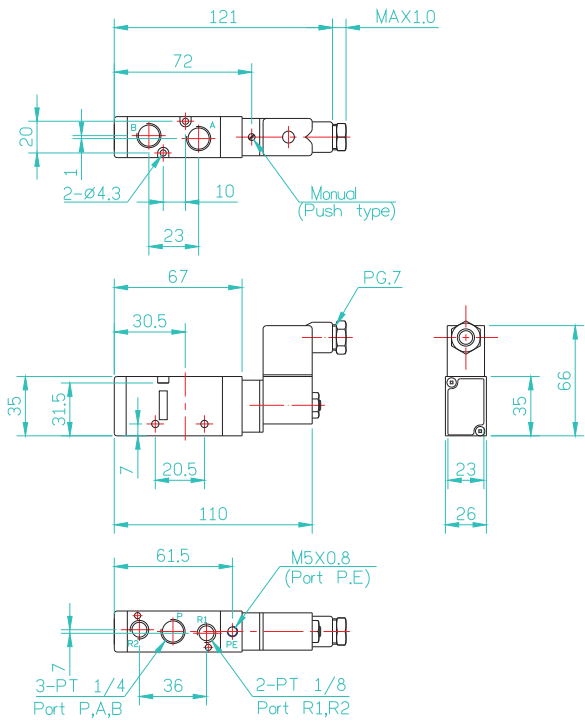
Model	VK2120	VK2220	VK2320	VK2420	VK2520
Symbol					
Port/positions	5-port, 2-position		5-port, 3-position		
Port size	1/4"				
Operating fluid	Air or inert gases				
Pressure range (kgf/cm ²)	1.5~9.9 (0.15~0.99Mpa)	1~9.9 (0.1~0.99Mpa)	1.5~9.9(0.15~0.99Mpa)		
Effective area (CV)	18(1.0)		14.4(0.8)		
Temp. range	Max. 50°C				
Response time	Below 30MS		Below 50MS		
Max. cycles/second	5C/S		3C/S		
Lubrication	Not required				
Manual override operation	Non-lube or lube (ISO VG32)				
Protection degree	30G / 5G (8.3~2000HZ)				
Protective structure	Dust-proof				
Rated voltage of coil	AC 50/60HZ 110V, 220V DC12V, 24V				
Allowable voltage tolerance	-15%~+10% of rated voltage				
Coil insulation	Class B or equivalent (130°C)				
Power	AC	Starting	5.6VA (50HZ), 5.0VA(60HZ)		
		Holding	4.5VA (50HZ), 3.8VA(60HZ)		
Power consumption DC	DC	1.8W			
Weight (g)	220	300	350	350	350
Surge suppressor	AC: Transistor DC:Diode				
Indicating lamp	LED				

How to Order:

VK2	1	2	0	A11	L	M2
Operating	Size of port	Piping	Standard of Voltage	Connector	Manifolds	
1 Single solenoid 	PT 1/4"	0 Without manifold	A11 AC110V 50/60Hz A22 AC220V 50/60Hz D12 DC12V D24 DC24V	None: Standard connector DIN43650 L: Plug connector with lamp DIN43650 S: Plug connector with lamp & surge suppressor DIN43650 W: Linear	M2 M3 M4 M5 M6 M7 M8 M9 M10	
2 Double solenoid 						
3 Closed center 						
4 Exhaust center 						
5 Pressure center 						

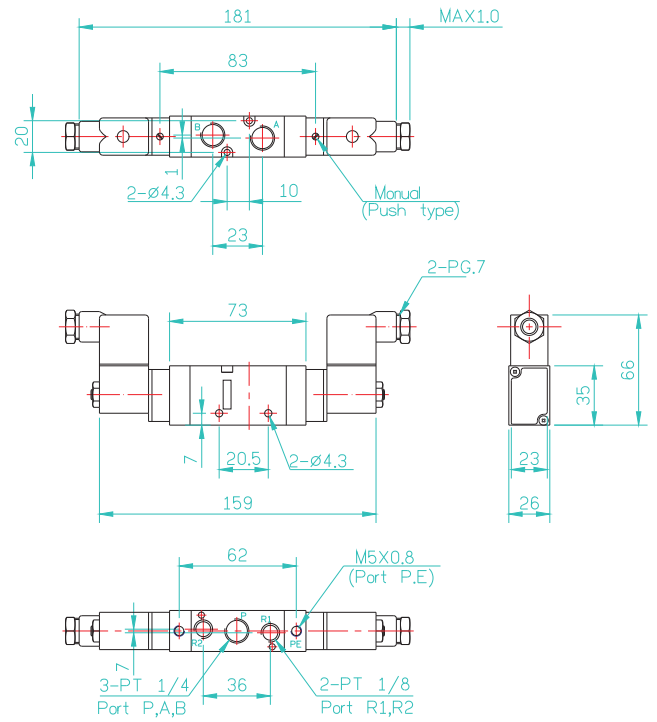
Plug connector type

VK2120-□ L,S



Plug connector type

VK2220-□ L,S



Plug connector type

VK2320-□ L,S

VK2420-□ L,S

VK2520-□ L,S

