

## Features:

- Large flow capacity.
- Low power consumption 1.8W(DC)
- Multiple electrical connector with or without light indicator.
- Special processing treatment for low friction and better abrasion resistance.
- With or without lubrication service.
- Available in individual or manifold mounting.



## Specifications:

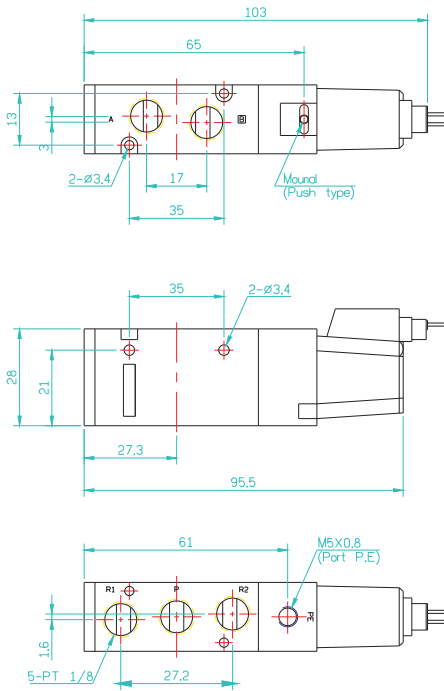
Model	VK1110	VK1210	VK1310	VK1410	VK1510
Symbol					
Ports/positions	5-port, 2-position		5-port, 3-position		
Port size	1/8"				
Operating fluid	Air or inert gases				
Pressure range (kgf/cm <sup>2</sup> )	0.5~7(0.15~0.7Mpa)		1.5~7(0.15~0.7Mpa)		
Effective area (CV)	9.5(0.53)		8.5(0.47)		
Temp. range	Max. 50°C				
Response time	Below 20MS		Below 35MS		
Max. cycles/second	10C/S		3C/S		
Lubrication	Not required				
Manual override operation	Standard				
	30G/5G(8.3~2000HZ)				
Protective structure	Dust-proof				
Rated voltage of coil	AC 50/60HZ 110V, 220V DC12V, 24V				
Allowable voltage tolerance	-15%~+10% of rated voltage				
Coil insulation	Class B or equivalent (130°C)				
Power	AC	Starting	4.5VA (50HZ), 4.2VA(60HZ)		
		Holding	3.0VA (50HZ), 2.6VA(60HZ)		
Power consumption DC	DC	1.8W			
Weight (g)	100	150	160	160	160
Surge suppressor	AC: Transistor DC:Diode				
Indicating lamp	LED				

## How to Order:

<b>VK1</b>	<b>1</b>	<b>1</b>	<b>0</b>	<b>A11</b>	<b>L</b>	<b>M2</b>
Operation	Size of port	Piping	Standard of Voltage	Connector	Manifolds	
1 Single solenoid 	PT 1/8"	0 Without manifold	A11 AC110V 50/60Hz A22 AC220V 50/60Hz D12 DC12V D24 DC24V	None: Standard connector DIN43650 L: Plug connector with lamp DIN43650 S: Plug connector with lamp & surge suppressor DIN43650 W: Linear	M2 M3 M4 M5 M6 M7 M8 M9 M10	
2 Double solenoid 						
3 Closed center 						
4 Exhaust center 						
5 Pressure center 						

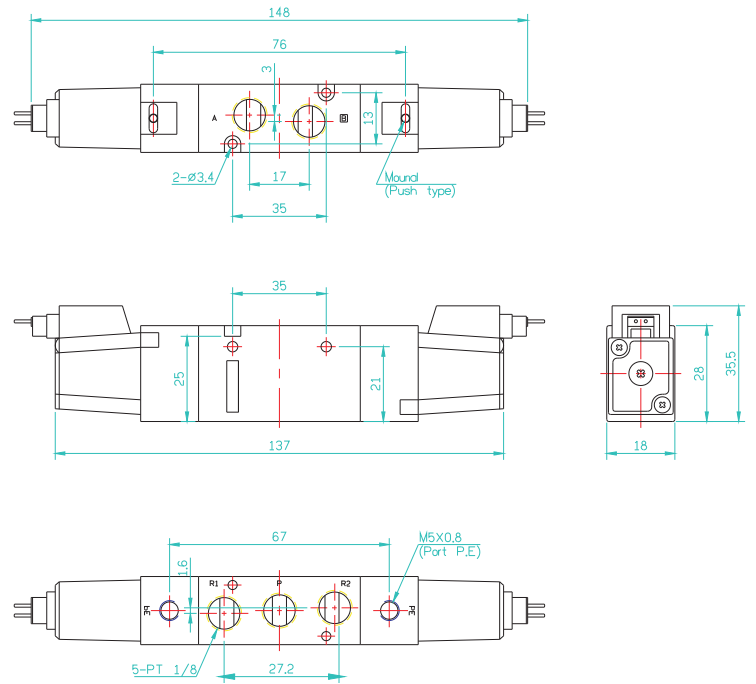
### Plug connector type

VK1110-□ L,S



### Plug connector type

VK1210-□ L,S



### Plug connector type

VK1310-□ L,S  
VK1410-□ L,S  
VK1510-□ L,S

