

## Features:

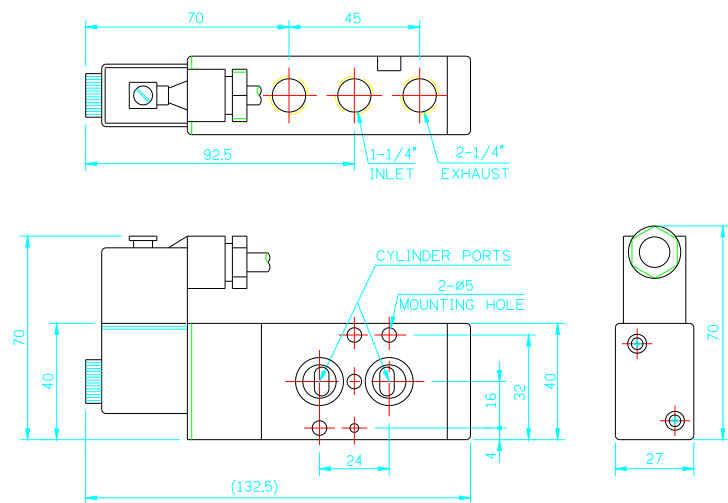
- With lube or non-lube service.
- High flow and wide cylinder range.
- Fast response and long life service benefit.
- More than 10 million life test before release.
- DIN 43650 electrical connector for wiring and replacement.
- Using advanced high quality coil, low power consumption.
- Special bore treatment, low friction, free of spool stick and reducing seal wearing.



## Specifications:

Model	VEN2120	VEN2220
Port size	G 1/4"	
Symbol		
Operation	Single solenoid	Double solenoid
Ports/Positions	5-port, 2-position	
Effective area (Cv)	30mm <sup>2</sup> (1.68)	
Operating fluid	Air or inert gases	
Lubrication	Non-lube or lube (ISO VG32)	
Lub. recommended	ISO VG 32	
Pressure range (Kgf/cm <sup>2</sup> )	1.5~8(0.15~0.8Mpa)	
Max. pressure(Kgf/cm <sup>2</sup> )	10(1Mpa)	
Cyl. range	ø20~ø80mm	
Rated voltage of coil	AC 110, 220, 240 DC12, 24	
Allowable voltage tolerance	±10%	
Power consumption	AC:7.5VA DC:2.5W	
Coil insulation	Class F	
Electrical connection	CIN 43650 electrical connector	
Duty cycle	100% (Continuous)	
Weight (g)	320	410

## External Dimensions:



## How to Order:

VEN2	1	2	A11	L
Series	Operation	Size of port	Stand of voltage	Connector
	1 Single solenoid 	2 G 1/4"	A11 AC110V 50/60Hz A22 AC220V 50/60Hz A24 AC240V 50/60Hz	None: Standard connector DIN43650
	2 Double solenoid 		D12 DC12V D24 DC24V	L: Plug connector with lamp DIN43650 S: Plug connector with lamp & surge suppressor DIN43650