

Features:

- With lube or non-lube service.
- High flow and wide cylinder range.
- Every valve fully tested prior to shipment.
- Fast response and long life service benefit.
- DIN 43650 electrical connector for wiring and replacement.
- Using advanced high quality coil, low power consumption.
- Special bore treatment, low friction, free of spool stick and reducing seal wearing.



Specifications:

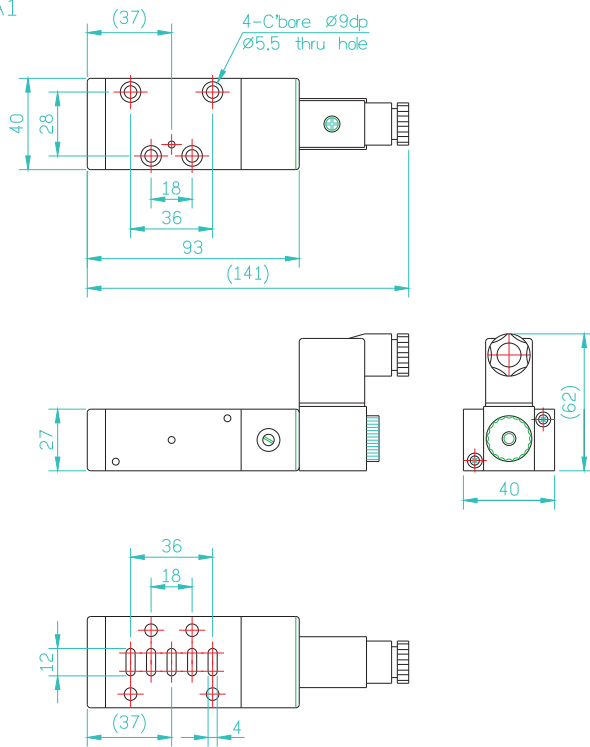
Model	VEA1120	VEA1220	VEA1320	VEA1420	VEA1520
Symbol					
Port/positions	5-port, 2-position			5-port, 3-position	
Operation	Single solenoid	Double solenoid	Closed center	Exhaust center	Pressure center
Ports size	G 1/4"				
Effective area (CV)	30mm ² (1.68)		22mm ² (1.2)		
Operating fluid	Air or inert gases				
Lubrication	Non-lube or lube available				
Lub. recommended	ISO VG 32				
Pressure range (kgf/cm ²)	1.7~8(0.15~0.8Mpa)				
Max. pressure(kgf/cm ²)	10(1Mpa)				
Cyl. range	ø80~ø125mm I.D.				
Rated voltage of coil	AC 110,220,50/60HZ, DC24V				
Allowable voltage tolerance	±0%				
Power consumption	AC 110/220V: 4.5VA; DC24V:3W				
Coil insulation	Class F				
Electrical connection	DIN43650 electrical connector				
Duty cycle	100%(Continuous)				
Weight (g)	300	385	525	525	525

How to Order:

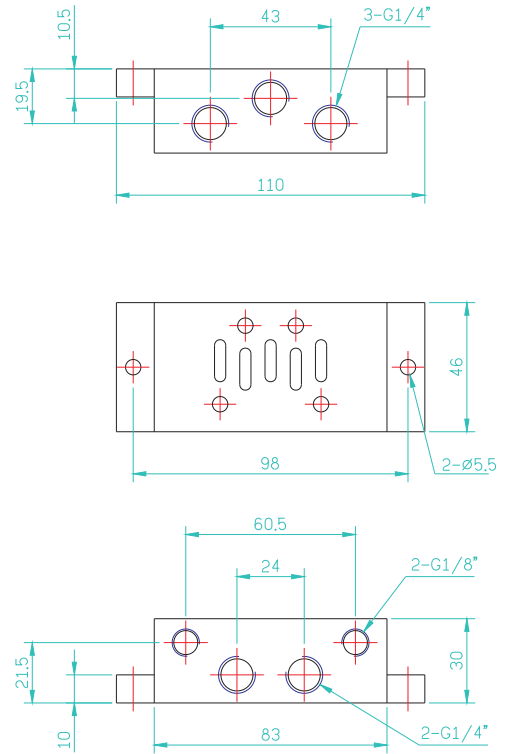
VEA	1	1	2	0	A11	L
Series	Model	Operation	Size of port	Piping	Standard of voltage	Connector
	1 ISO 1	1 Single solenoid 2 Double solenoid 3 Closed center 4 Exhaust center 5 Pressure center 	2 G1/4"	0 Without manifold 1 With manifold	A11 AC110V 50/60Hz A22 AC220V 50/60Hz D24 DC24V	None: Standard connector DIN43650 L: Plug connector with lamp DIN43650 S: Plug connector with lamp & surge suppressor DIN43650

External Dimensions:

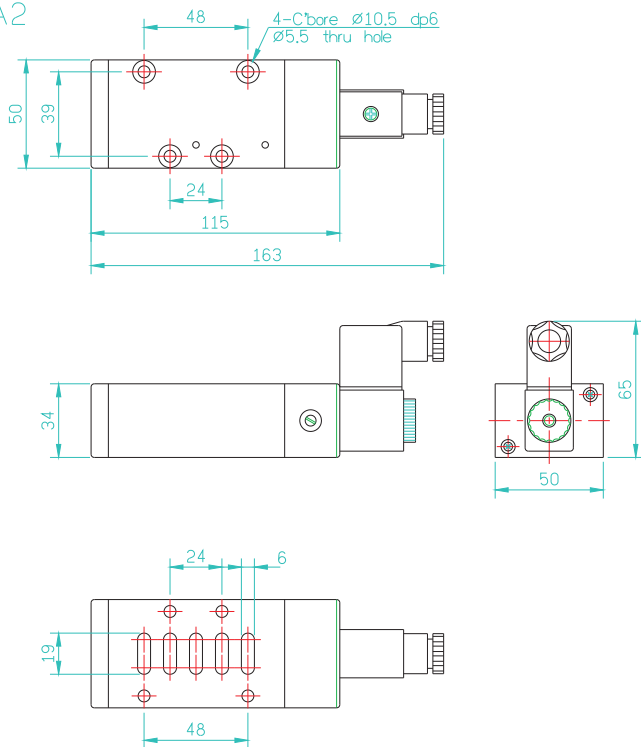
VEA1



Mainfold:



VEA2



Mainfold:

