

## Features:

Using advanced coil, low power consumption, fast reaction, durable performance.

10 million operations, long life cycle proof.

Strict leakage test prior to shipment.

Multiple electrical connector with or without light indicator.

Special processing treatment for low friction and better abrasion resistance.

With or without lubrication service.

Available in individual or manifold mounting.



## Specifications:

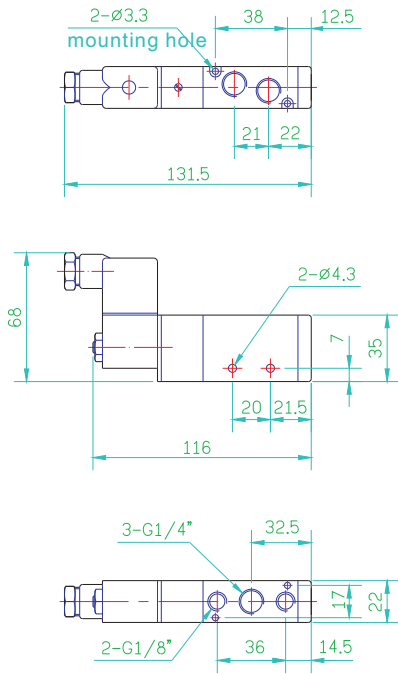
Model	VE2120	VE2220	VE2320	VE2420	VE2520
Symbol					
Ports/Positions	5-port, 2-position	5-port, 2-position	5-port, 3-position	5-port, 3-position	5-port, 3-position
Operator	Single solenoid	Double solenoid	Closed center	Exhaust center	Pressure center
Port size	G 1/4"				
Effective area (CV)	18mm <sup>2</sup> (1.0)		12mm <sup>2</sup> (0.67)		
Cylinder range	ø40~ø63mm				
Operating fluid	Air or inert gases				
Lubrication	Non-lube or lube (ISO VG32)				
Pressure range	1.7~8kgf/cm <sup>2</sup> (0.17~0.8Mpa)				
Max. Pressure	10kgf/cm <sup>2</sup> (1.0Mpa)				
Temp. range	5°~60°C(41~140°F)				
Response time	0.05sec				
Weight (g)	210	310	420	420	420
Rated voltage	AC	110, 220, 240, 50/60HZ			
	DC	12, 24			
Duty cycle	100% ED				
Electrical connection	DIN43650 electrical connector				
Voltage range	Rated voltages ±0%				
Protection	IP65				
Coil insulation	class F				
Temp. range	30°C(86°F)				
Power consumption	AC:7.5VA DC:3W				

## How to Order:

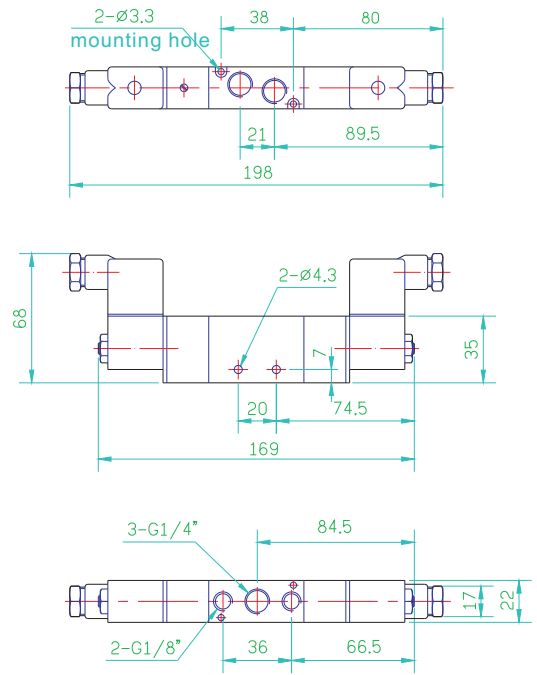
Series	Operation	Size of port	Piping	Standard of voltage	Connector	Manifolds
VE2	1	2	0	A11	L	M2
1	Single solenoid 	G1/4"	0 Without manifold 1 With manifold	A11 AC110V 50/60Hz A22 AC220V 50/60Hz A24 AC240V 50/60Hz D12 DC12V D24 DC24V	None: Standard connector DIN43650 L: Plug connector with lamp DIN43650 S: Plug connector with lamp & surge suppressor DIN43650	M2 M3 M4 M5 M6 M7 M8 M9 M10
2	Double solenoid 					
3	Closed center 					
4	Exhaust center 					
5	Pressure center 					

# External Dimensions:

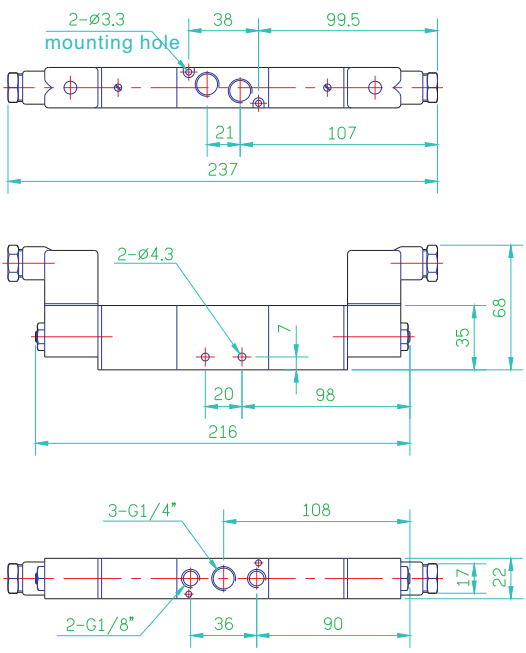
- VE2120 



- VE2220 



- VE2320 



- VE2420 

- VE2520 