
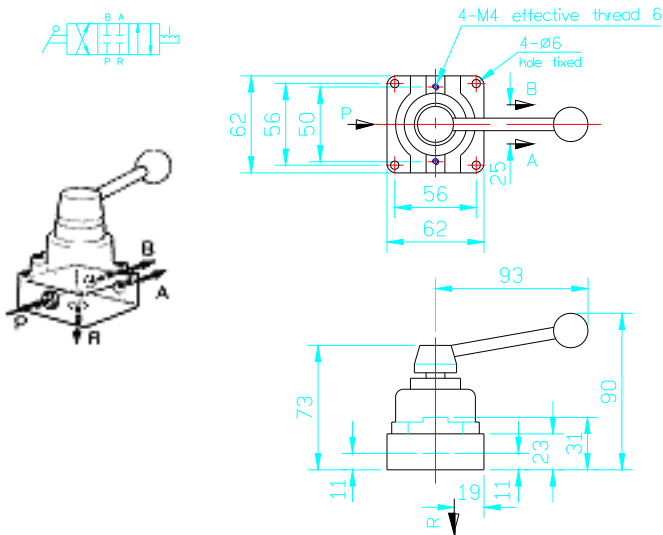


Specifications:

Item/Model	VBS200		VBS300			VBS600	
	VBS201	VBS202	VBS302	VBS303	VBS304	VBS606	VBS610
Symbol							
Ports/Positions	4-Port, 3-position						
Port size	1/8"	1/4"	1/4"	3/8"	1/2"	3/4"	1"
Operating fluid	Air						
Temp. range	5~60°(41~140°F)						
Operating pressure	1.5~7.0 kg/cm ² (0.15-0.7Mpa)						
Max. pressure	10.5kg/cm ² (1.05Mpa)						
Operation angle	45°						
Weight (kg)	0.56	0.56	0.8	0.8	0.8	1.36	0.36

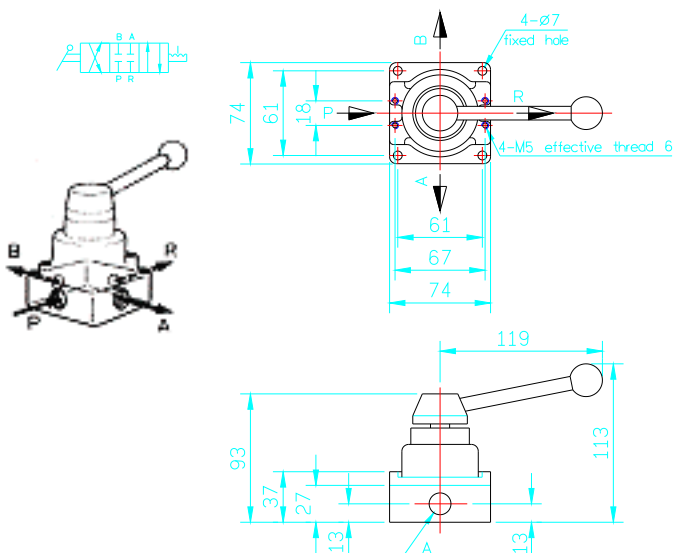
• VBS 200



• VBS



• VBS 300



• VBS 600

