

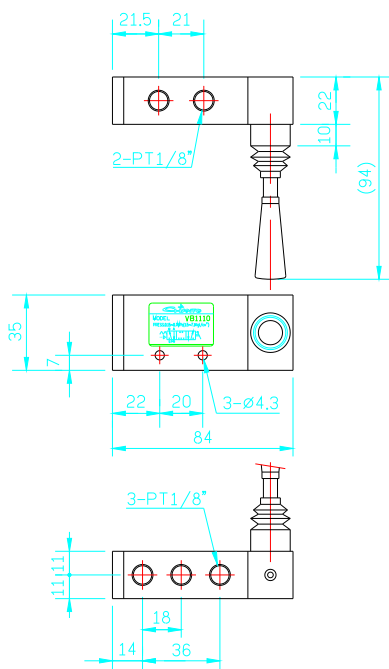
# Specifications:

Model	VBL 1110	VBL 2120	VBL 3130
Symbol			
Ports/Positions	5-port, 2-position		
Port size	G1/8"	G1/4"	G3/8"
Effective area (CV)	16.5mm <sup>2</sup> (0.92)	28mm <sup>2</sup> (1.56)	28mm <sup>2</sup> (1.56)
Operating fluid	Air		
Temp. range (°C)	5~60°(41~140°F)		
Operating pressure	1.5~7.0 kg/cm <sup>2</sup> (0.15~0.7Mpa)		
Max. pressure	10.5kg/cm <sup>2</sup> (1.05 Mpa)		
Operation angle	20°		
Weight (g)	180	310	310

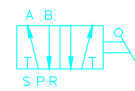
## • VBL 1110



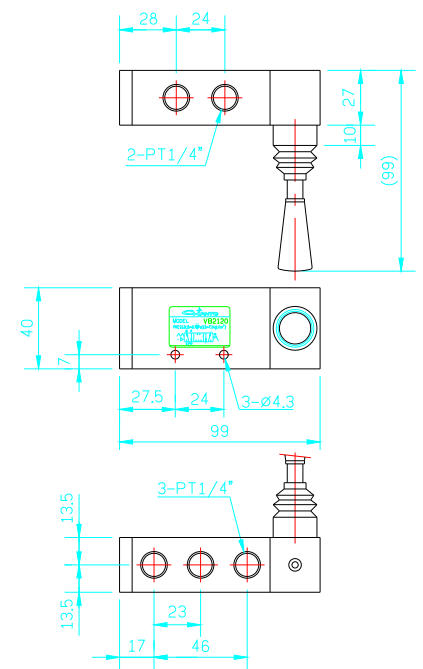
VBL 1110



## • VBL 2120



VBL 2120



## • VBL 3130



VBL 3130

