

## Features:

High flow, fast reaction.

With or without lubrication.

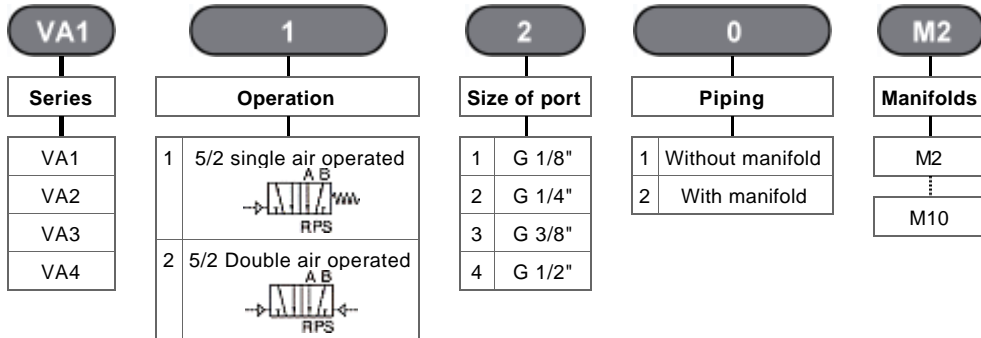
Special processing treatment for low friction and better abrasion resistance.



## Specifications:

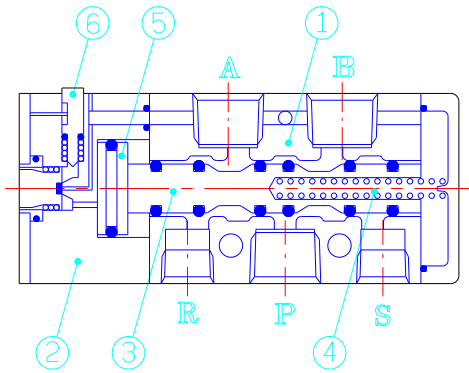
Model	VA1110	VA1210	VA2120	VA2220	VA3130	VA3230	VA4140	VA4240
Symbol								
Ports/Positions	5-Port, 2-Position							
Air operated	Single	Double	Single	Double	Single	Double	Single	Double
Port size	G 1/8"		G 1/4"		G 3/8"		G 1/2"	
Effective area (Cv)	12mm <sup>2</sup> (0.67)		18mm <sup>2</sup> (1)		30mm <sup>2</sup> (1.68)		50mm <sup>2</sup> (0.67)	
Cylinder range	ø20~ø63mm				ø63mm~ø160mm			
Operating fluid	Air				Air or inert gases			
Max. cycle/second	5(cycle/sec)				4(cycle/sec)			
Lubrication	Non-lube or lube(ISO VG32)							
Pressure range	1.5~8 Kgf/cm <sup>2</sup> (0.15~0.8 MPa)							
Max. pressure	10 Kgf/cm <sup>2</sup> (1.0 MPa)							
Temp. range	5°C~60°C(41~140°F)							
Response time	0.05 sec							
Weight (g)	80	90	150	160	240	250	485	520

## How to Order:

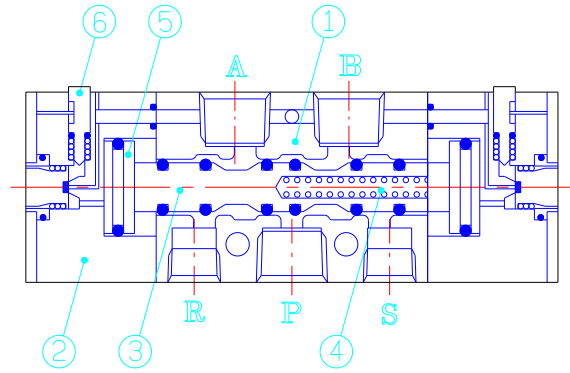


## Internal Construction:

Single air operated



Double air operated

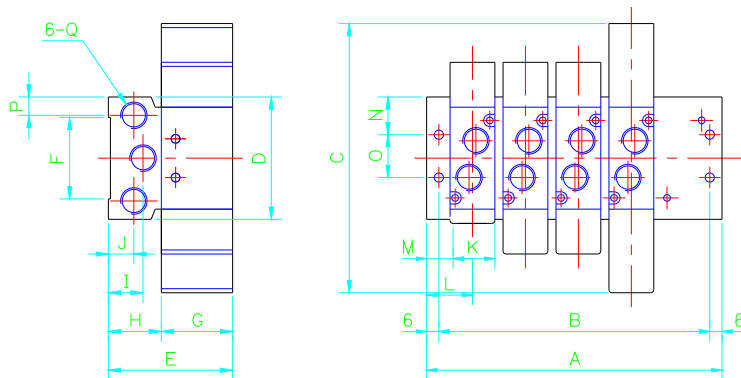


## Parts List:

No.	Description	Material	Note
①	Valve	A6063	Anodized
②	Pilot base	A6063	Black
③	Spool	A6063	Anodized
④	Air/Spring return	SUS 304	-
⑤	Piston	Synthetic resin	-
⑥	Manual push pin	S45C	-

## External Dimensions:

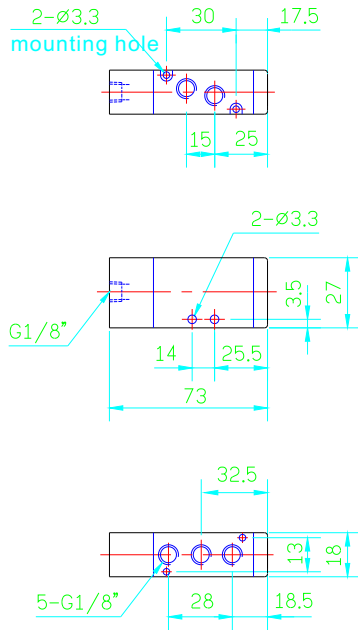
Manifolds	VA1		VA2		VA3		VA4	
	A	B	A	B	A	B	A	B
<b>M2</b>	57	47	69	59	87	73	98	85
<b>M3</b>	76	66	92	82	116	102	133	120
<b>M4</b>	95	85	115	105	145	131	168	155
<b>M5</b>	114	104	138	128	174	160	203	190
<b>M6</b>	133	123	161	151	203	189	238	225
<b>M7</b>	152	142	184	174	232	218	273	260
<b>M8</b>	171	161	207	197	261	247	308	295
<b>M9</b>	190	180	230	220	290	276	343	330
<b>M10</b>	209	199	254	243	319	305	378	365



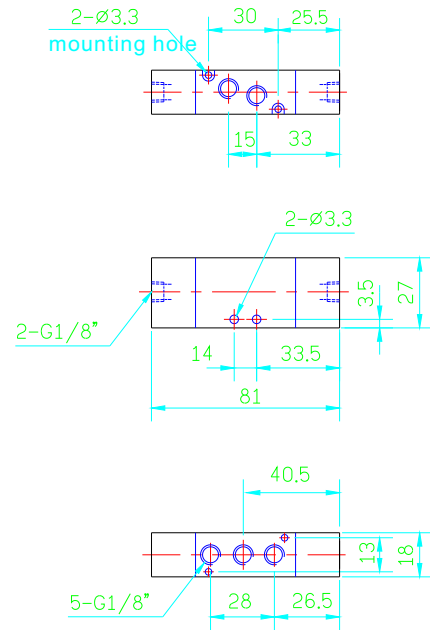
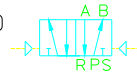
Series	C	D	E	F	G	H	I	J	K	L	M	N	O	P	Q	R
<b>VA1</b>	81	58	52	22	27	25	16	11	18	19	10	19	20	9	G1/4"	5
<b>VA2</b>	92	64.5	62	40	35	27	16	12	22	23	11.5	21.2	22	9	G1/4"	5
<b>VA3</b>	111	80	68	57	40	28	15.5	14.5	27	29	14.5	25.8	28.4	11.5	G3/8"	7
<b>VA4</b>	141	100	79	63	40	39	14.5	14.5	34	31.5	14.5	34	32	18.5	G1/2"	6.5

## External Dimensions:

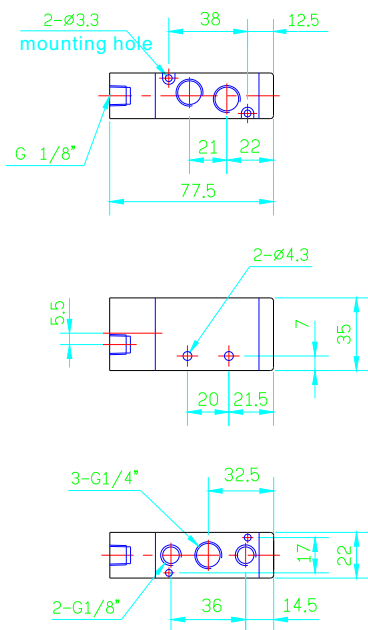
- VA1110



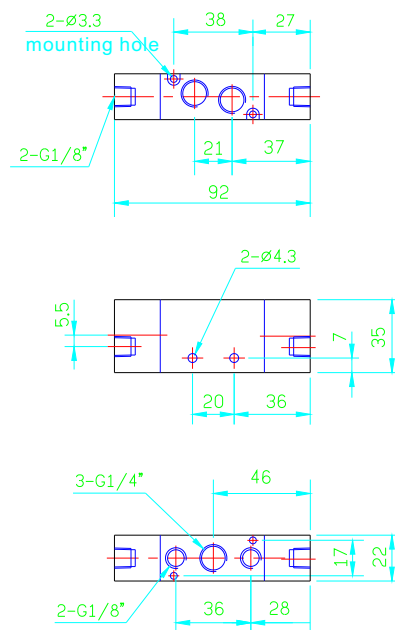
- VA1210



- VA2120

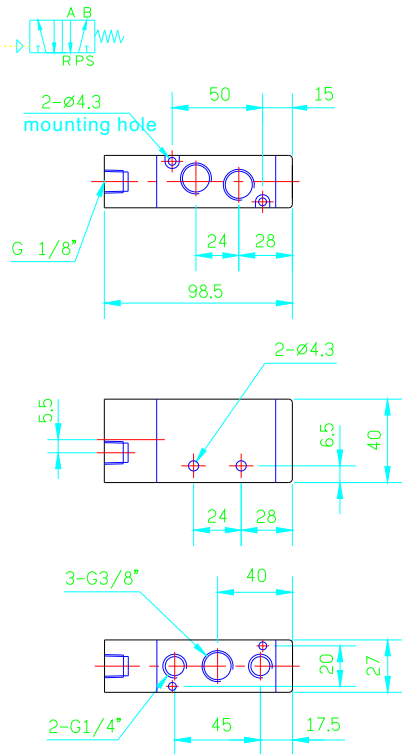


- VA2220

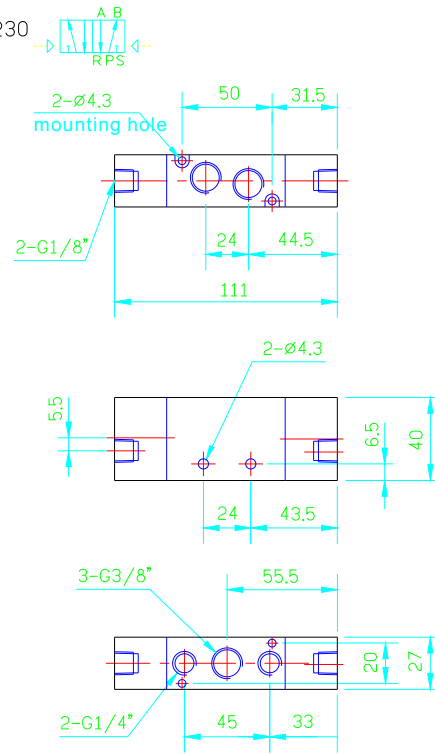


## External Dimensions:

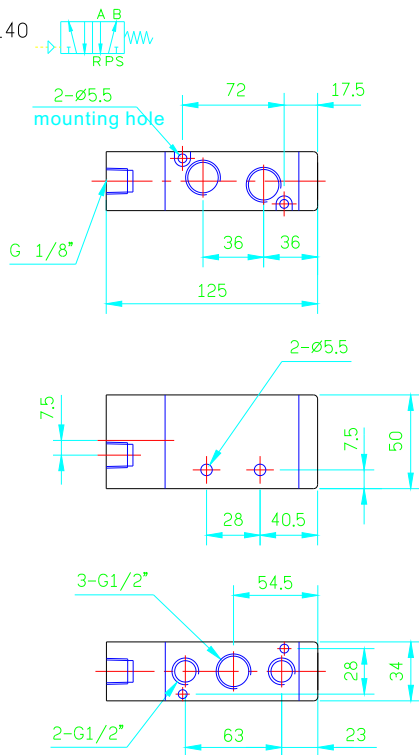
• VA3130



• VA3230



• VA4140



• VA4240

