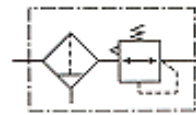


Specifications:

| MODEL | | UAW 5000 |
|------------------------------|----------------------------|---------------|
| Port size | Rc(PT) | 3/4, 1 |
| Port size for pressure gauge | Rc(PT) | 1/4 |
| Operating fluid | | Air |
| Max. supply pressure | bar (Kgf/cm ²) | 15 |
| Max. operating pressure | bar (Kgf/cm ²) | 9.9 |
| Regulating range | bar (Kgf/cm ²) | 0.5~8.5 |
| Temperature range | | 5~60°C |
| Filteration | | Standard:5µm |
| Bowl material | | Polycarbonate |
| Bowl capacity | (cm ³) | 45 |
| Weight | (Kg) | 2.037 |
| Accessory (standard) | Bowl guard | ● |

* NPT thread is available. Please contact with us.

Symbol



Filter Regulator



Main Parts List:

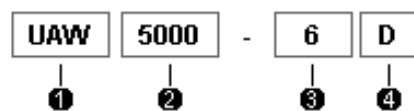
| No. | Part name | Material | Note |
|-----|-----------|----------------------|----------------|
| | | UAW5000 | |
| ① | Body | Aluminum die casting | Painting |
| ② | Bonnet | Aluminum die casting | Black painting |

Parts List:

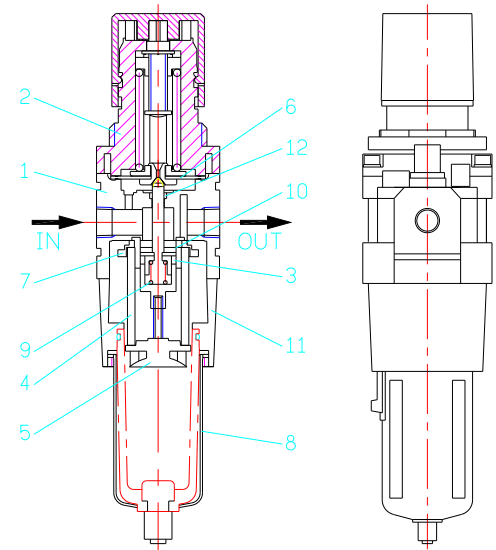
| No. | Part name | Material | Part no. |
|-----|-----------------|-----------------|------------|
| | | | UAW5000 |
| ③ | Valve ass'y | Brass. NBR | 131623A |
| ④ | Filter element | Bronze | 11104-5B |
| ⑤ | Baffle | ABS | 111622 |
| ⑥ | Diaphragm ass'y | NBR | 131614A |
| ⑦ | Deflector | ABS | 11167 |
| ⑧ | Bowl ass'y | Polycarbonate | C400F |
| ⑨ | Valve spring | Stainless steel | 131625 |
| ⑩ | Case O-ring | NBR | 111636 |
| ⑪ | Valve O-ring | NBR | 131645 |
| ⑫ | O-ring | NBR | JISB2401P5 |

* Condition: Bowl assemblies of UAW2000, UAW3000, UAW4000 are fitted with bowl guard.

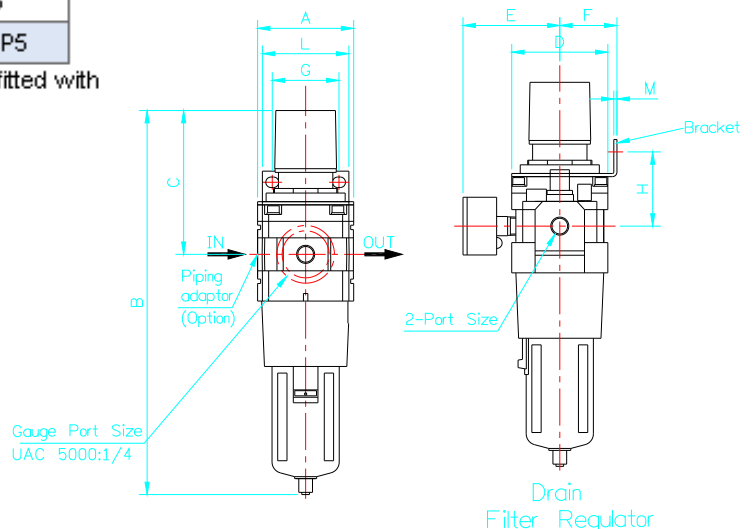
How to Order:



| | |
|---|--------------------------------|
| ① | UAW series |
| ② | Type series: 5000 |
| ③ | Port size: 6:3/4", 8:1" |
| ④ | D:Auto drain; Nil:Manual drain |



External Dimensions:



Unit: mm

| MODEL | Port size | A | B | C | D | E | F | G | H | J | K | L | φN | M |
|---------|-----------|----|-----|-----|----|----|----|----|----|-----|------|----|----|-----|
| UAW5000 | 3/4, 1 | 90 | 330 | 120 | 90 | 75 | 47 | 54 | 63 | 8.5 | 10.5 | 70 | - | 2.3 |