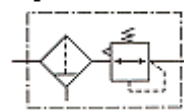


Specifications:

MODEL		UAW 2000	UAW 3000	UAW 4000
Port size	Rc(PT)	1/8, 1/4, 3/8		3/8, 1/2, 3/4
Port size for pressure gauge	Rc(PT)	1/8		1/4
Operating fluid		Air		
Max. supply pressure	bar (Kgf/cm ²)	15		
Max. operating pressure	bar (Kgf/cm ²)	9.9		
Regulating range	bar (Kgf/cm ²)	0.5~8.5		
Temperature range		5~60°C		
Filteration		Standard: 5µm		
Bowl material		Polycarbonate		
Bowl capacity	(cm ³)	8	20	45
Weight	(Kg)	0.36	0.53	1.15
Accessory (standard)	Bowl guard	-	●	●

* NPT thread is available. Please contact with us.

Symbol



Air filter Regulator



Main Parts List:

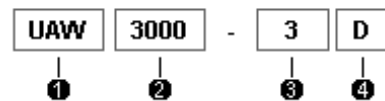
No.	Part name	Material			Note
		UAW2000	UAW3000	UAW4000	
①	Body	Aluminum die casting			Painting
②	Bonnet	Polyacetal	Aluminum die casting		Black painting

Parts List:

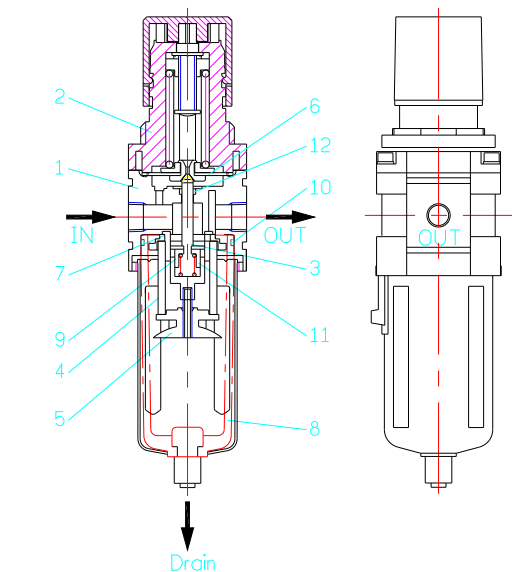
No.	Part name	Material	Part no.		
			UAW2000	UAW3000	UAW4000
③	Valve ass'y	Brass, NBR	1349160	131523A	131623A
④	Filter element	Bronze	11294-5B	111511-5B	11104-5B
⑤	Baffle	ABS	11295	111522	111622
⑥	Diaphragm ass'y	NBR	13445A	131515A	131614A
⑦	Deflector	ABS	112961	11158	11167
⑧	Bowl ass'y	Polycarbonate	C200F	C300F	C400F
⑨	Valve spring	Stainless steel	1349158	131525	131625
⑩	Case o-ring	NBR	11297	111512	111636
⑪	Valve o-ring	NBR	1349247	131544	131645
⑫	O-ring	NBR	-	JISB2401P5	JISB2401P5

* Condition: Bowl assemblies of UAW2000, UAW3000, UAW4000 are fitted with bowl guard.

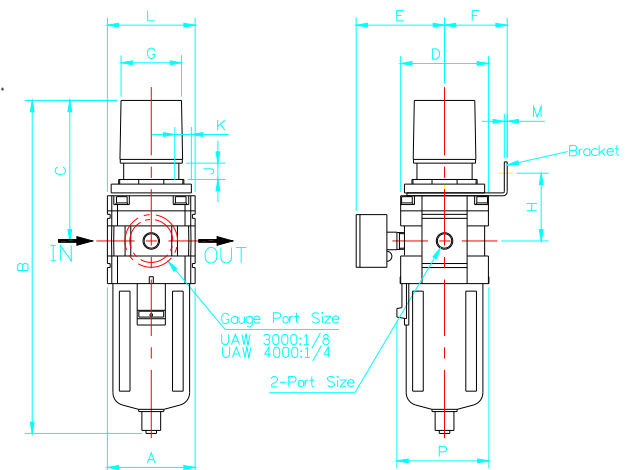
How to Order:



①	UAW series
②	MODEL: 2000, 3000, 4000
③	Port size: 1:1/8", 2:1/4", 3:3/8", 4:1/2", 6:3/4"
④	D: Auto drain; Nil: Manual drain



External Dimensions:



Unit: mm

MODEL	Port size	A	B	C	D	E	F	G	H	J	K	L	M	P	Float type	Differential pressure type
															B	B
UAW 2000	1/8, 1/4	40	164.5	78	40	56.8	30	34	44	5.4	15.4	55	2.3	40	-	-
UAW 3000	1/4, 3/8	53	211	92.5	53	60.8	41	40	46	6.5	8.0	53	2.3	56	236.5	-
UAW 4000	3/8, 1/2, 3/4	70	262.5	112	70	70.5	50	54	54	8.5	10.5	70	2.3	73	288	-