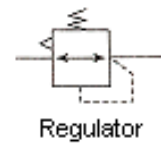


Specifications:

MODEL		UAR 2000	UAR 3000	UAR 4000
Port size	Rc(PT)	1/4, 3/8	3/8, 1/2, 3/4	
Port size for pressure gauge	Rc(PT)	1/8	1/4	
Operating fluid		Air		
Max. supply pressure	bar (Kgf/cm ²)	15		
Max. operating pressure	bar (Kgf/cm ²)	9.9		
Regulating range	bar (Kgf/cm ²)	0.5~8.5		
Temperature range		5~60°C		
Weight	(Kg)	0.27	0.44	0.92

* NPT thread is available. Please contact with us.

Symbol



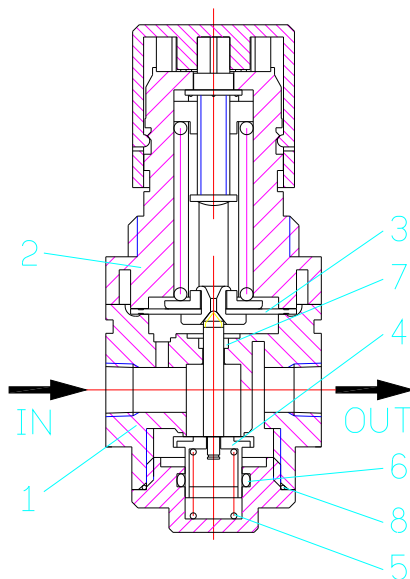
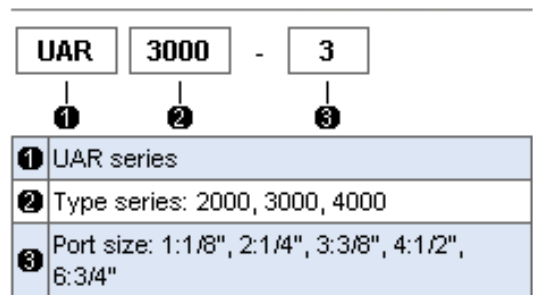
Main Parts List:

No.	Part name	Material	Note
		UAR 2000,3000,4000	
①	Body	Aluminum die casting	Painting
②	Bonnet	Polyacetal	Black painting

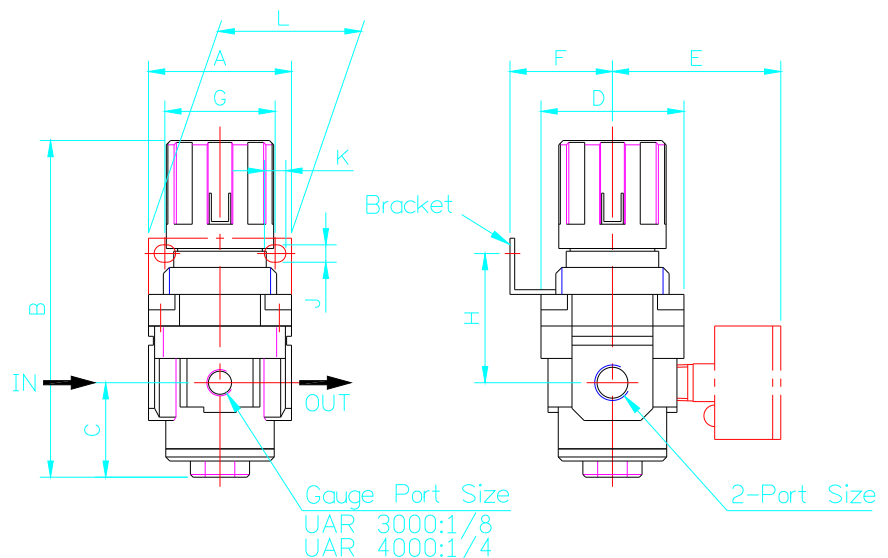
Parts List:

No.	Part name	Material	Part no.		
			UAR 2000	UAR 3000	UAR 4000
③	Diaphragm ass'y	NBR	1349161A	131515A	131614A
④	Valve ass'y	Brass, NBR	1349160	13154A	13164A
⑤	Valve spring	Stainless steel	1349158	131558	131613
⑥	Valve o-ring	NBR	1349247	JISB2401P14	131643
⑦	O-ring	NBR	-	JISB2401P5	JISB2401P5
⑧	O-ring	NBR	JISB2401P14	131545	131647

How to Order:



External Dimensions:



Unit: mm

MODEL	Port size	A	B	C	D	E	F	G	H	J	K	L	M	N
UAR 2000	1/4, 1/8	40	95	17	40	56.8	30	34	45	5.4	15.4	55	2.3	33.5
UAR 3000	1/4, 3/8	53	127.5	35	53	60.8	41	40	46	6.5	8	53	2.3	42.5
UAR 4000	3/8, 1/2, 3/4	70	149.5	37.5	70	65.5	50	54	54	8.5	10.5	70	2.3	52.5