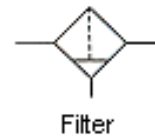


Specifications:

MODEL		UAF 5000
Port size	Rc(PT)	3/4, 1
Operating fluid		Air
Max. supply pressure	bar (Kgf/cm ²)	15
Max. operating pressure	bar (Kgf/cm ²)	9.9
Temperature range		5~60°C
Filtration		Standard: 5µm
Bowl material		Polycarbonate
Bowl capacity	(cm ³)	45
Weight	(Kg)	0.99
Accessory (standard)	Bowl guard	●

* NPT thread is available. Please contact with us.

Symbol



Main Parts List:

No.	Part name	Material	Note
		UAF 5000	
①	Body	Aluminum die casting	Painting

Parts List:

No.	Part name	Material	Part no.
			UAF 5000
②	Filter element	Bronze	111724
③	Baffle	ABS	11175
④	O-ring	NBR	111636
⑤	Bowl assembly	Polycarbonate	C400F
⑥	Deflector	ABS	11176

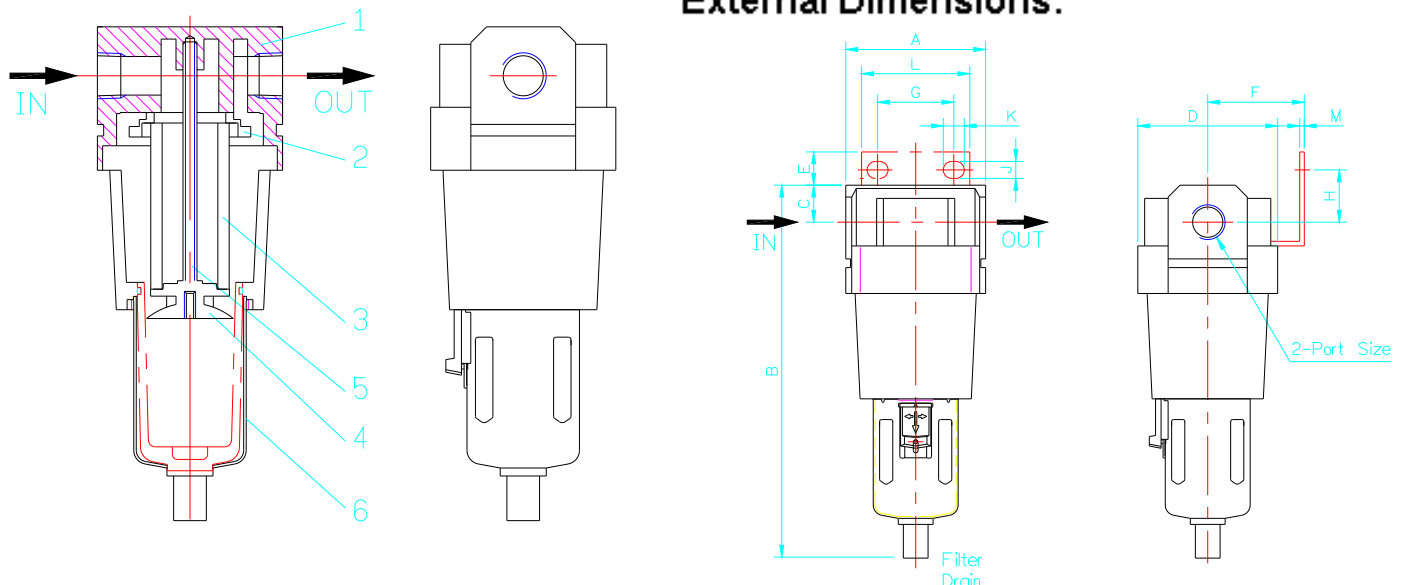
* Condition: Bowl assemblies of UAF2000~UAF4000 are fitted with bowl guard as standard.

How to Order:

UAF	5000	-	3	D
①	②		③	④

①	UAF series
②	Type series: 5000
③	Port size: 6:3/4", 8:1"
④	D:Auto drain; Nil:Manual drain

External Dimensions:



Unit: mm

MODEL	Port size	A	B	C	D	E	F	G	H	J	K	L	M	P
UAF5000	3/4, 1	90	244	24	90	23	70	54	25	8.5	10.5	70	2.3	-