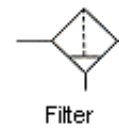


Specifications:

MODEL		UAF 2000	UAF 3000	UAF 4000
Port size	Rc(PT)	1/4, 1/8	1/4, 3/8	3/8, 1/2, 3/4
Operating fluid		Air		
Max. supply pressure	bar (Kgf/cm ²)	15		
Max. operating pressure	bar (Kgf/cm ²)	9.9		
Temperature range		5~60°C		
Filteration		Standard: 5µm		
Bowl material		Polycarbonate		
Bowl capacity	(cm ³)	8	20	45
Weight	(Kg)	0.19	0.24	0.45
Accessory (standard)	Bowl guard	-	●	●

* NPT thread is available. Please contact with us.

Symbol



Main Parts List:

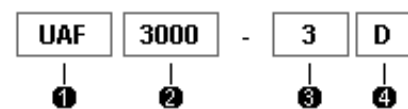
No.	Part name	Material	Note
		UAF 2000,3000,4000	
①	Body	Aluminum die casting	Painting

Parts List:

No.	Part name	Material	Part no.		
			UAF 2000	UAF 3000	UAF 4000
②	Filter element	Bronze	1129116	111511-5B	11104-5B
③	Baffle	ABS	11295	111522	111622
④	O-ring	NBR	11297	111512	111636
⑤	Bowl assembly	Polycarbonate	C200F	C300F	C400F
⑥	Deflector	ABS	112911	11158	11167

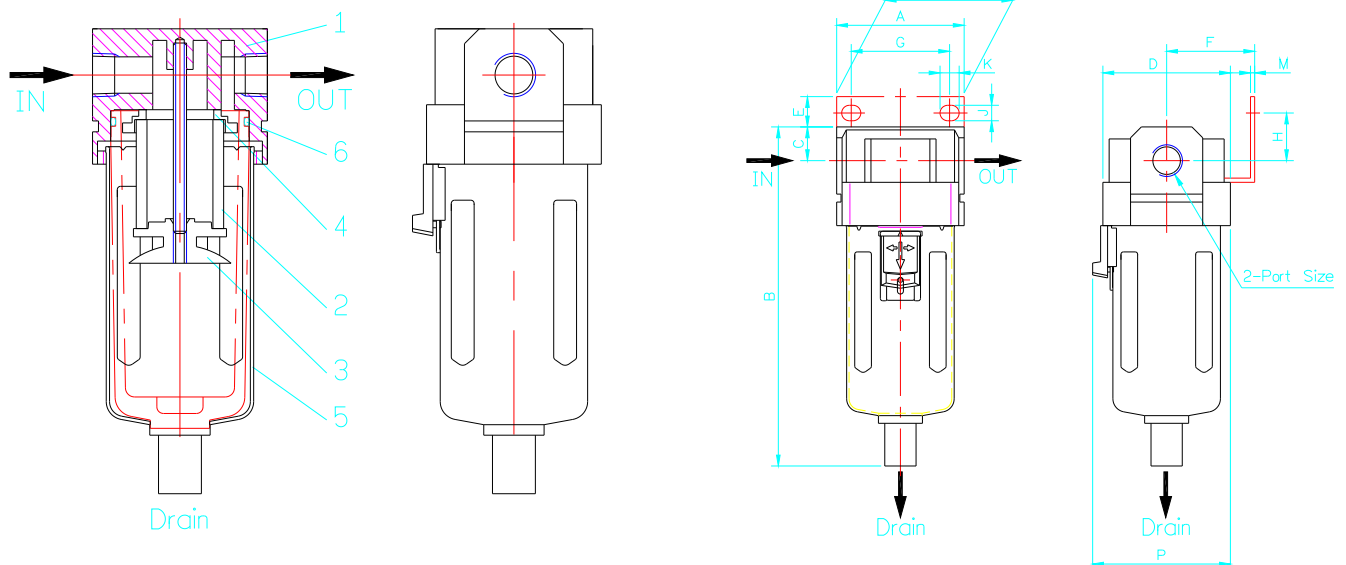
* Condition: Bowl assemblies of UAF2000~UAF4000 are fitted with bowl guard as standard.

How to Order:



①	UAF series
②	Type series: 2000, 3000, 4000
③	Port size: 1:1/8", 2:1/4", 3:3/8", 4:1/2", 5:3/4"
④	D: Auto drain; Nil: Manual drain

External Dimensions:



Unit: mm

MODEL	Port size	A	B	C	D	E	F	G	H	J	K	L	M	P	Float type	Differential pressure type
															B	B
UAF 2000	1/2, 1/4	40	97.5	11	40	17	30	27	22	5.4	8.4	40	2.3	40	-	120.5
UAF 3000	1/4, 3/8	53	132.5	14	53	16	41	40	23	6.5	8	53	2.3	56	158	-
UAF 4000	3/8, 1/2, 3/4	70	168.5	18	70	17	50	54	26	8.5	10.5	70	2.3	73	194	-