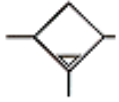
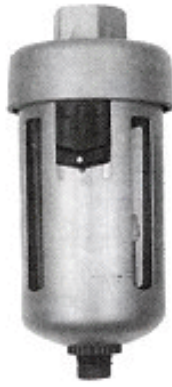


Automatic Drainer UAD-400

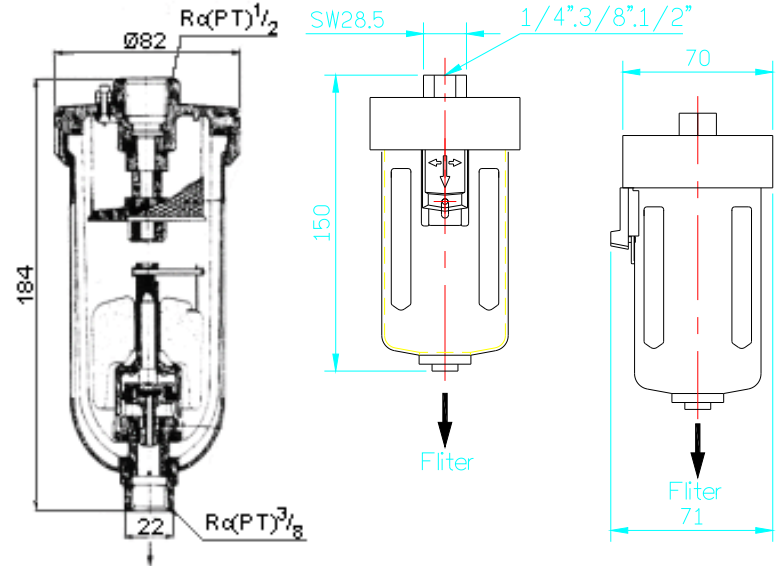
Symbol



Filter Regulator Lubricator



External Dimensions:

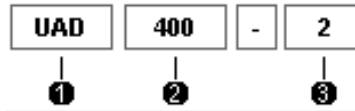


Specifications:

Model	UAD 400	
Proof pressure	kgf/cm ²	15.3
Max. supply pressure	kgf/cm ²	10.2
Operating pressure	Kgf/cm ²	1.0~10.2
Temp. range		5~60°C
Port size (PT)		1/4;D3/8;D1/2
Port size of drainer		3/8"
Weight	(kg)	0.95

Note: Up to 400 #/min (ANR)

How to Order:



①	UAD Series
②	Model: 400
③	Piping port: 2:1/4", 3:3/8", 4:1/2"