

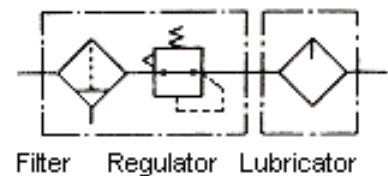
## Specifications:

MODEL		UAC 5010
Combination	Regulator	UAW5010
	Lubricator	UAL 5010
Port size	Rc(PT)	3/4, 1
Port size for pressure gauge	Rc(PT)	1/4
Operating fluid		Air
Max. supply pressure	bar (Kgf/cm <sup>2</sup> )	15
Max. operating pressure	bar (Kgf/cm <sup>2</sup> )	9.9
Regulating range	bar (Kgf/cm <sup>2</sup> )	0.5~8.5
Max. flow rate	(NI/min)	5000
Temperature range		5~60°C
Filtration		Standard: 5µm
Recommend oil		ISO VG32
Bowl material		Polycarbonate
Construction/regulator		Relieving type
Weight (Kg)		3.56
Accessory (standard)	Bowl guard	●
	Bracket	U50L

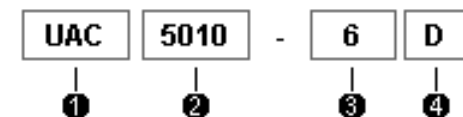
\* Conditions: Supply pressure 7Kgf/cm<sup>2</sup>, setting pressure: 5Kgf/cm<sup>2</sup>

\* NPT thread is available. Please contact with us.

## Symbol

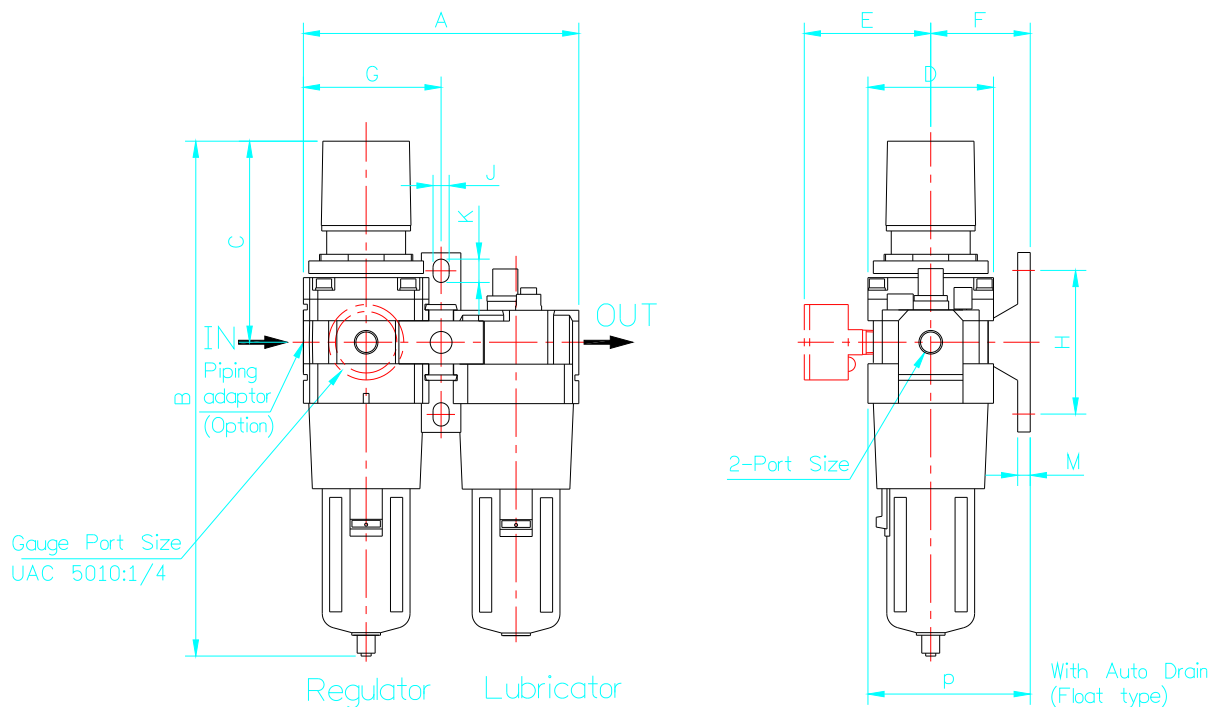


## How to Order:



①	UAC Series
②	Type series: 5010
③	Port size: 6: 3/4", 8: 1"
④	D: Auto drain; Nil: Manual drain

## External Dimensions:



Unit: mm

MODEL	Port size	A	B	C	D	E	F	G	H	J	K	L	M	N	P
UAC5010	3/4, 1	195	330	120	90	75	70	97.5	100	12	15.5	-	10	-	115