

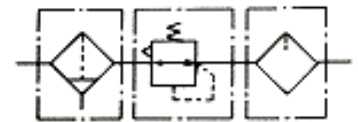
Specifications:

MODEL		UAC 5000
Combination	Air filter	UAF 5000
	Regulator	UAR 5000
	Lubricator	UAL 5000
Port size	Rc(PT)	3/4, 1
Port size for pressure gauge	Rc(PT)	1/4
Operating fluid		Air
Max. supply pressure	bar (Kgf/cm ²)	15
Max. operating pressure	bar (Kgf/cm ²)	9.9
Regulating range	bar (Kgf/cm ²)	0.5~8.5
Max. flow rate	(Nl/min)	5000
Temperature range		5~60°C
Filteration		Standard:5µm
Recommend oil		Turbin (ISO VG32)
Bowl material		Polycarbonate
Construction/Regulator		Relieving type
Weight	(Kg)	4.36
Accessory (standard)	Bowl guard	●
	Bracket	U50L

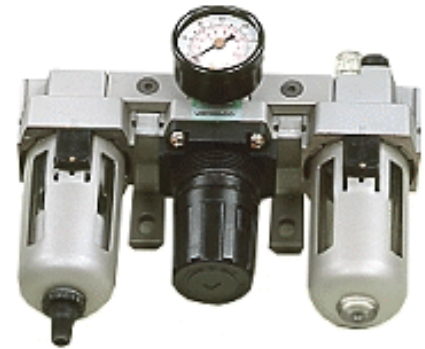
* Conditions: Supply pressure 7Kgf/cm², setting pressure: 5Kgf/cm²

* NPT thread is available. Please contact with us.

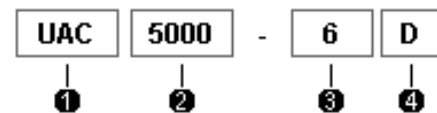
Symbol



Filter Regulator Lubricator

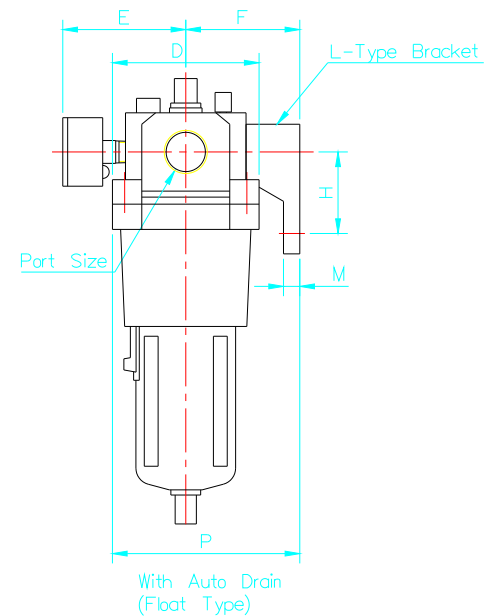
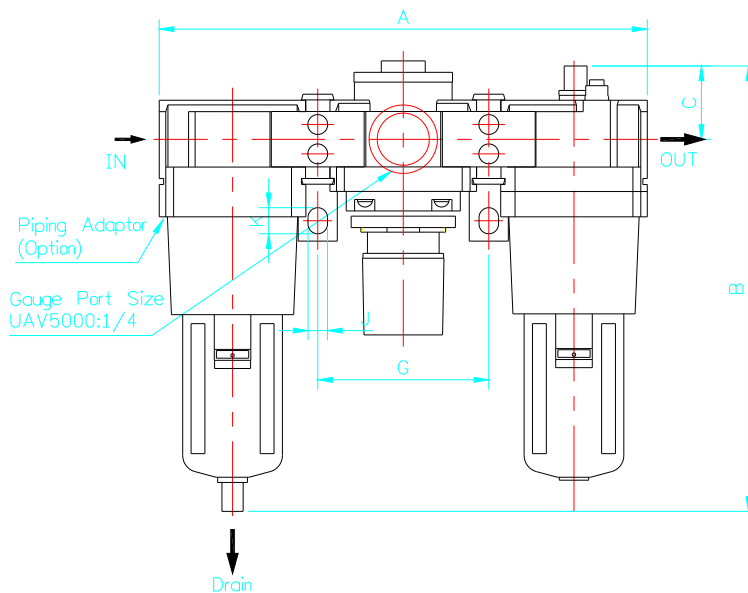


How to Order:



①	UAC Series
②	MODEL:5000
③	Port size:6:3/4", 8:1"
④	D:Auto drain; Nil:Manual drain

External Dimensions:



Unit: mm

MODEL	Port size	A	B	C	D	E	F	G	H	J	K	L	M	N	P	Float type	Differential pressure type
																B	B
UAC 5000	3/4, 1	300	272	48	90	76	70	105	50	12	16	-	10	-	115	297	-