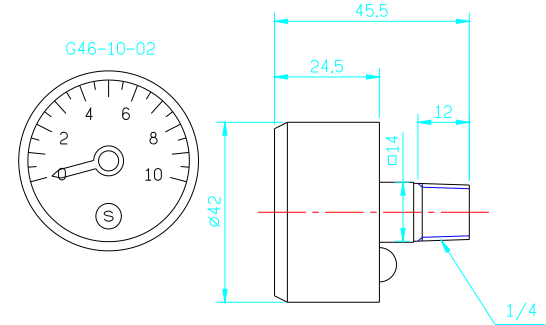
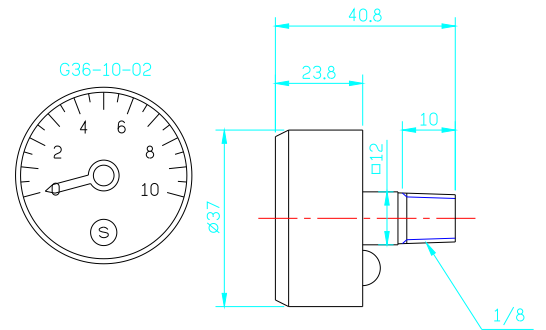
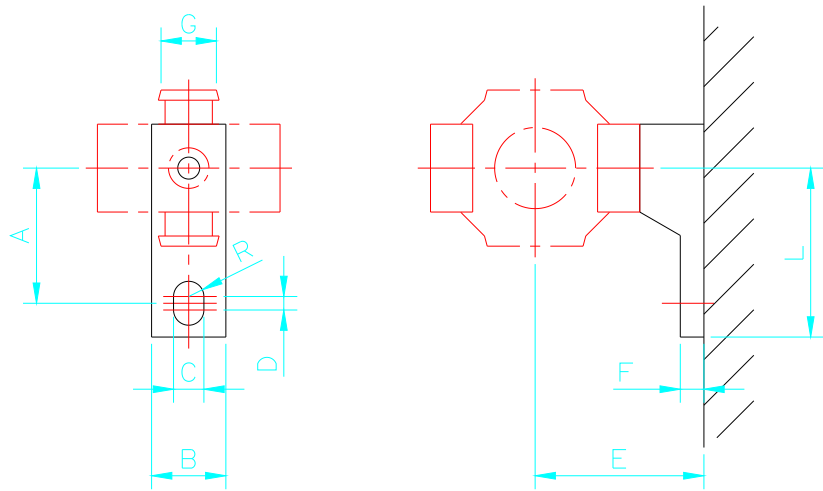


## • Pressure Gauge

MODEL	Suitable for
G36-10-01	UAR3000, UAW3000
G46-10-02	UAR4000, UAW4000
G46-10-02	UAR5000, UAW5000



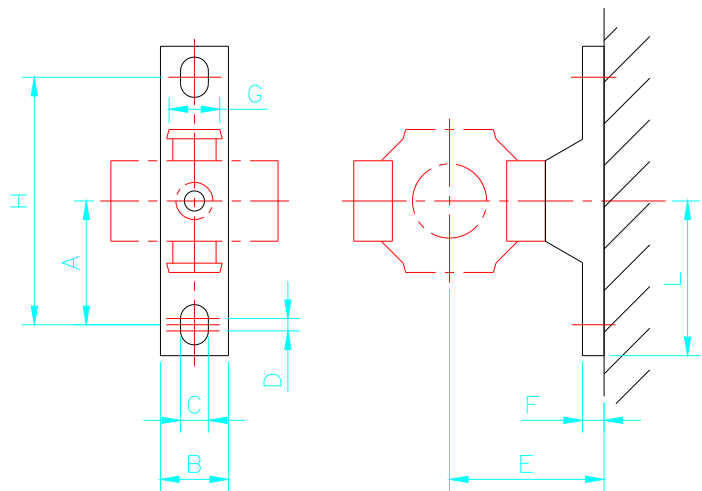
## L-type Bracket



Unit: mm

MODEL	A	B	C	D	E	F	G	Rv	L	Suitable for
UAC30L	35	16	7	4	41	7	11	3.5	45	UAC3000~UAC3010
UAC40L	40	22	9	4	50	7	14	4.5	50	UAC4000~UAC4010
UAC50L	50	24	12	4	70	10	15	6.0	62.5	UAC5000~UAC5010

## T-type Bracket



Unit: mm

MODEL	A	Bv	C	D	E	F	G	H	R	L	Suitable for
UAC30T	35	16	7	4	41	7	11	70	3.5	45	UAC3000~UAC3010
UAC40T	40	22	9	4	50	7	14	80	4.5	50	UAC4000~UAC4010
UAC50T	50	24	12	4	70	10	15	100	6.0	62.5	UAC5000~UAC5010