

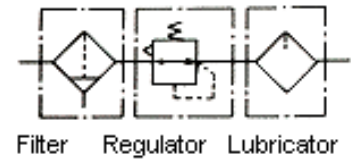
Specifications:

MODEL		UAC 2010	UAC 3010	UAC 4010
Combination	Air filter	UAW 2000	UAW 3000	UAW 4000
	Lubricator	UAL 2000	UAL 3000	UAL 4000
Port size	Rc(PT)	1/4, 1/8		3/8, 1/2, 3/4
Port size for pressure gauge	Rc(PT)	1/8		1/4
Operating fluid		Air		
Max. supply pressure	bar (Kgf/cm ²)	15		
Max. operating pressure	bar (Kgf/cm ²)	9.9		
Regulating range	bar (Kgf/cm ²)	0.5~8.5		
Max. flow rate	(NL/min)	500	1700	3000
Temperature range		5~60°C		
Filtration		Standard:5µm		
Recommend oil		Turbin (ISO VG32)		
Bowl material		Polycarbonate		
Construction/Regulator		Relieving type		
Weight (Kg)		0.66	0.98	1.93
Accessory (standard)	Bowl guard	-	●	●
	Bracket	U20L	U30L	U40L

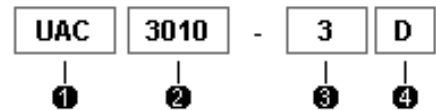
* Conditions: Supply pressure 7Kgf/cm², setting pressure: 5Kgf/cm²

* NPT thread is available. Please contact with us.

Symbol

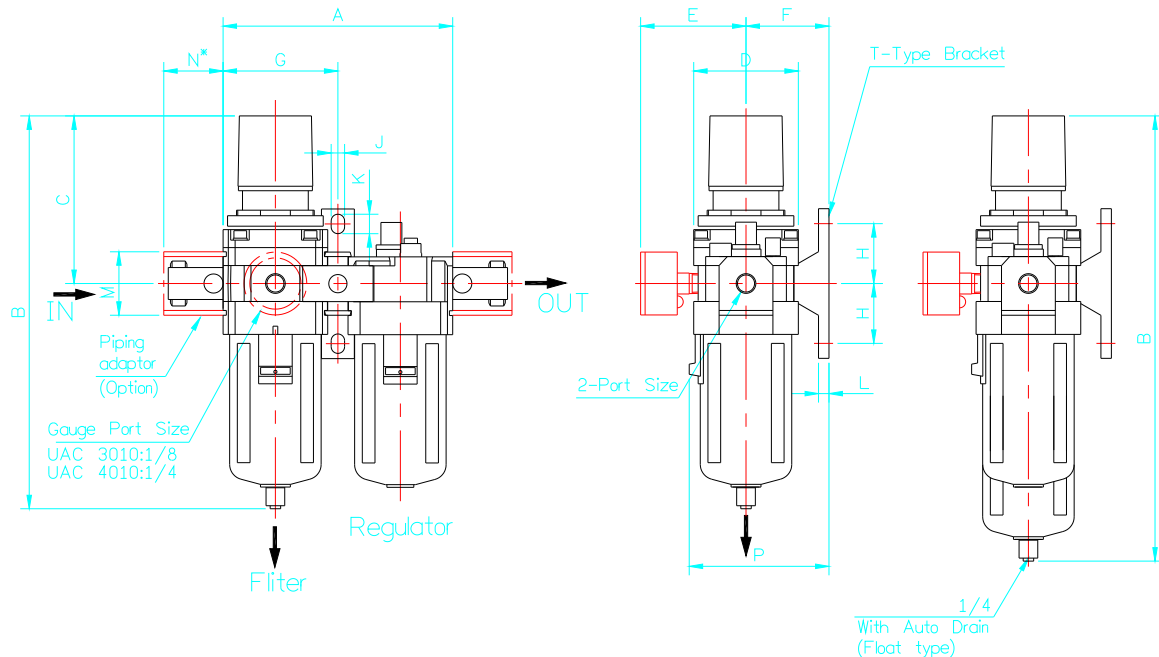


How to Order:



①	UAC series
②	MODEL: 2010, 3010, 4010
③	Port size: 1:1/8", 2:1/4", 3:3/8", 4:1/2", 6:3/4"
④	D: Auto drain; Nil: Manual drain

External Dimensions:



Unit: mm

MODEL	Port size	A	B	C	D	E	F	G	H	J	K	L	M	N	P	Float type	Differential pressure type
																B	B
UAC2010	1/8, 1/4	90	164.5	78	40	56.8	30	45	24	5.5	8.5	5	22	23*	50	-	187.5
UAC3010	1/4, 3/8	117	211	92.5	53	60.8	41	58.5	35	7	11	7	34.2	26*	70.5	236.5	-
UAC4010	3/8, 1/2, 3/4	154	262.5	112	70	70.5	50	77	40	9	13	7	42.2	33*	88	288	-

* Piping adaptor 40mm for UAC 3010 (1/2), 50mm for UAC 4010 (3/4).