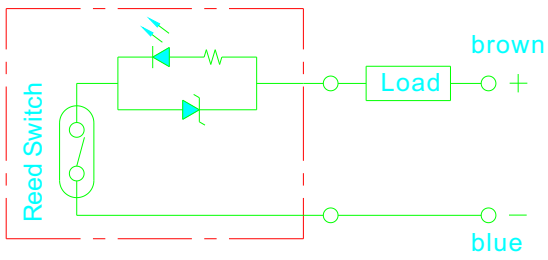


Specifications:

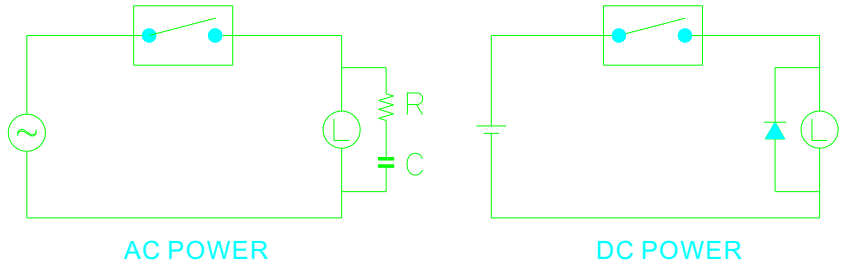
Type	Unit	TD-11N	TD-11P	TD-11
		Solid state switch		Reed switch
Wiring system		Three wire type		Two wire type
Load voltage	V	DC 5~28	DC 5~28	DC/AC 5~120
Load current	mA	50(Max)		
Internal voltage drop.	V	1.2(Max)	0.5(Max)	2.5(Max)
Temperature range	°C	-10~70		
Delay time	mS	ON+OFF<1		
Lead wire	M	1		
Protection degree		IP67		
Output		N.O. (NPN type)	N.O. (PNP type)	N.O.
Indicator lamp		Red	Green	Red



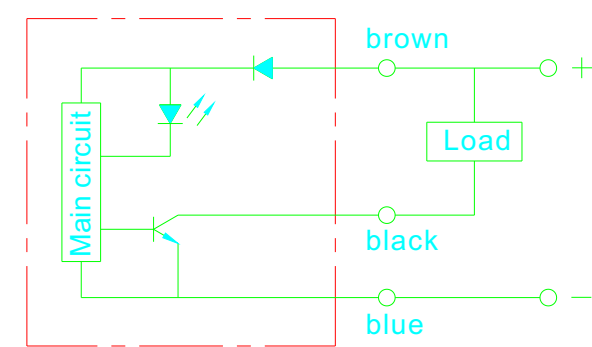
Wiring diagram (TD-11)



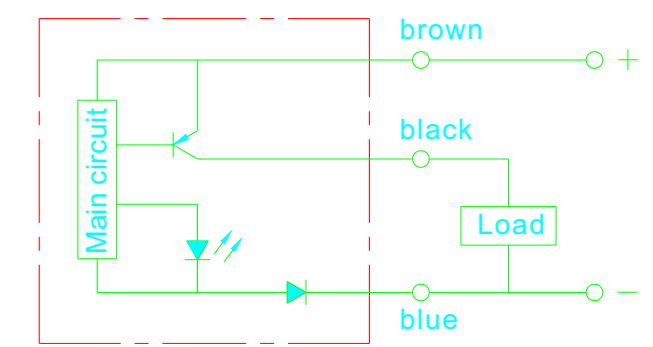
Additional external protection circuit



Wiring diagram (TD-11N)



Wiring diagram (TD-11P)



External Dimensions:

- TD-11N, TD-22, TD-11P

Cylinder series	Bore
DF	10
JB, KA, KB	10
JS	12~50
MKS	20~50

