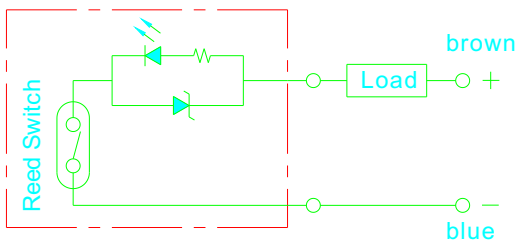


## Specifications:

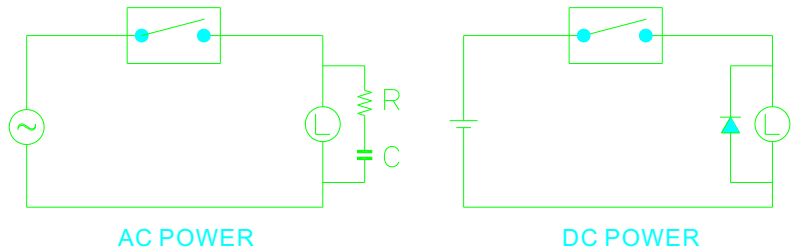
Type	Unit	TA-11N	TA-11P	TA-22
		Solid state switch		
Wiring system		Three wire type		Two wire type
Load voltage	V	DC 5~30		DC/AC 4~240
Load current	mA	100(Max)		
Internal voltage drop.	V	1.5(Max)		2.5(Max)
Temperature range	°C	-10~70		
Temperature range	mS	ON+OFF<1		
Delay time	M	2		
Lead wire		IP67		
Output		N.O.(NPN type)	N.O.(PNP type)	N.O.
Indicator lamp		Red		



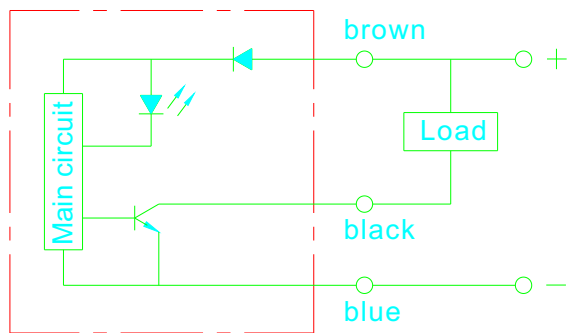
Wiring diagram (TA-22)



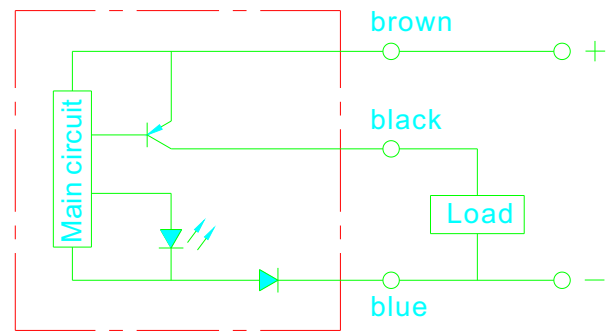
Additional external protection circuit



Wiring diagram (TA-11N)



Wiring diagram (TA-11P)



## External Dimensions:

- TA-11N, TA-22, TA-11P

Cylinder series	Bore
DE	16~32
DF, RA	16~25
JG	12~100
JH	20~63
JS, MKS	32~63
KH	25~63
ME	32~50
VH	16~40

