

- IGBT Output
- Panel Mount
- High Voltage
- Internal Overvoltage Protection Available
- Control Voltage 12Vdc, 24Vdc, 36Vdc

Series SSC solid state DC contactors feature IGBT technology for high voltage DC switching applications. All models come in Crydom's standard panel-mount package. Manufactured in Crydom's ISO 9001 Certified facility for optimum product performance and reliability.

## OUTPUT SPECIFICATIONS ①

MODEL NUMBERS	SSC800-25	SSC1000-25
Operating Voltage Range [Vdc]	0-800	0-1000
Maximum Transient Voltage [Vpk]	900 ④	1200 ⑤
Max. Load Current ③ [Adc]	25	25
Min. Load Current [mA]	20	20
Max. Surge Current, [Adc] (10msec)	75	75
Max. On-State Voltage Drop @ Rated Current [Vdc]	1.6	1.6
Thermal Resistance Junction to Case [R <sub>θJC</sub> ] C/W	0.8	0.8
Max. Off-State Leakage Current @ Rated Voltage [mA]	0.3	0.3
Max. Turn-On Time [msec]	1.5	1.5
Max. Turn-Off Time [msec]	1.5	1.5

## INPUT SPECIFICATIONS ①

MODEL NUMBERS	SSC800-25	SSC1000-25	
Nominal Control Voltage [Vdc] ⑥	12	24	36
Control Voltage Range [Vdc]	8-16	20-28	32-40
Maximum Turn-On Voltage [Vdc]	8	20	32
Minimum Turn-Off Voltage [Vdc]	1	1	1
Nominal Input Impedance [Ohm]	780	1500	2,400
Typical Input Current at Nominal Voltage [mA]	15	15	15

## GENERAL NOTES

- ① All parameters at 25°C unless otherwise specified.
- ② Dielectric strength and insulation resistance are measured between input and output.
- ③ Heat sinking required, for derating curves see page 2.
- ④ Internal overvoltage protection included.
- ⑤ Internal overvoltage protection not included.
- ⑥ Use suffix -12, -24 or -36 to specify control voltage. For other values call factory  
Sample: **SSC800-25-24**.

© 2007 CRYDOM Inc., Specifications subject to change without notice.

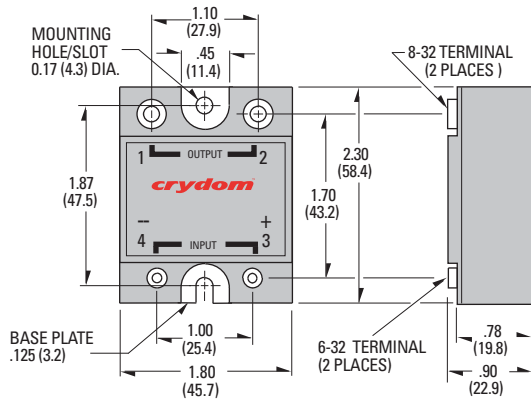
## GENERAL SPECIFICATIONS

Dielectric Strength	60Hz	2500 Vrms
Insulation Resistance (Min.) @ 500 Vdc		$10^9$ Ohm
Max. Capacitance Input/Output		50 pF
Ambient Operating Temperature Range		-30 to 80°C
Ambient Storage Temperature Range		-40 to 125°C

## MECHANICAL SPECIFICATIONS

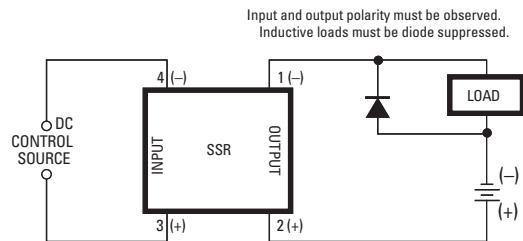
Weight: (typical)	3.0 oz. (86.5g)
Encapsulation:	Thermally Conductive Epoxy
Terminals:	Screws and Saddle Clamps Furnished, Unmounted

## MECHANICAL SPECIFICATIONS



**Screw Torque Requirements:** 6-32 Screws - 10 in. lbs., 8-32 - 20in. lbs. (Screws dry without grease.)

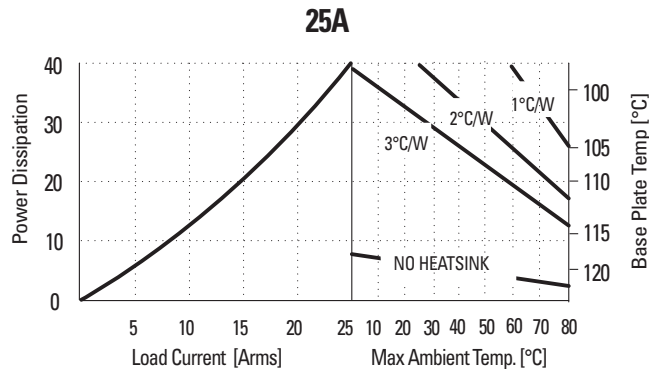
## WIRING CONNECTIONS



## Transient Protection

All loads are inductive, even ones that are not so labeled. An inductive load will produce harmful transient voltages when it is turned off. The more perfect the switch, the larger the transient voltages; the IGBT output is so nearly an ideal switch that the transient voltages produced by seemingly "non-inductive" loads can cause damage if not suppressed. Diodes should be fast recovery type with PIV rated greater than supply voltage.

## CURRENT DERATING CURVE



© 2007 CRYDOM Inc., Specifications subject to change without notice.

## ANNEX – ENVIRONMENTAL INFORMATION:

The environmental information disclosed in this annex including the EIP Pollution logo are in compliance with People's Republic of China Electronic Industry Standard SJ/T11364 – 2006, Marking for Control of Pollution Caused by Electronic Information Products.

Part Name	Toxic or hazardous Substance and Elements					
	Lead (Pb)	Mercury (Hg)	Cadmium (Cd)	Hexavalent Chromium (Cr (VI))	Polybrominated biphenyls (PBB)	Polybrominated diphenyl ethers (PBDE)
Semiconductor die	X	O	O	O	O	O
Solder	X	O	O	O	O	O

### 附件 - 环保信息:

此附件所标示的包括电子信息产品污染图标的环保信息符合中华人民共和国电子行业标准 **SJ/T11364 - 2006**, 电子信息产品污染控制标识要求

部件名称	有毒有害物质或元素					
	铅 (Pb)	汞 (Hg)	镉 (Cd)	六价铬 (Cr (VI))	多溴联苯 (PBB)	多溴二苯醚 (PBDE)
半导体芯片	X	O	O	O	O	O
焊接点	X	O	O	O	O	O

