

### Ordering Codes

MODEL	DIA METER	RANGE
SS-4041	250Φ	-20°C ~ 500°C
		R.P.M
	1, 12, 24, 168H/1-RPM	CAPILLARY TUBE  MIN 2m MAX 10m

### MANUFACTURING RANGE AND(CHART PAPER)

TEMP RANGE	MIN RANGE	CHART NO.
-20 ~ 100	2	450
0 ~ 100	2	450
0 ~ 120	2	460
0 ~ 150	2	475
0 ~ 200	5	440

TEMP RANGE	MIN RANGE	CHART NO
0 ~ 250	5	450
0 ~ 300	5	460
0 ~ 350	5	470
0 ~ 500	5	410

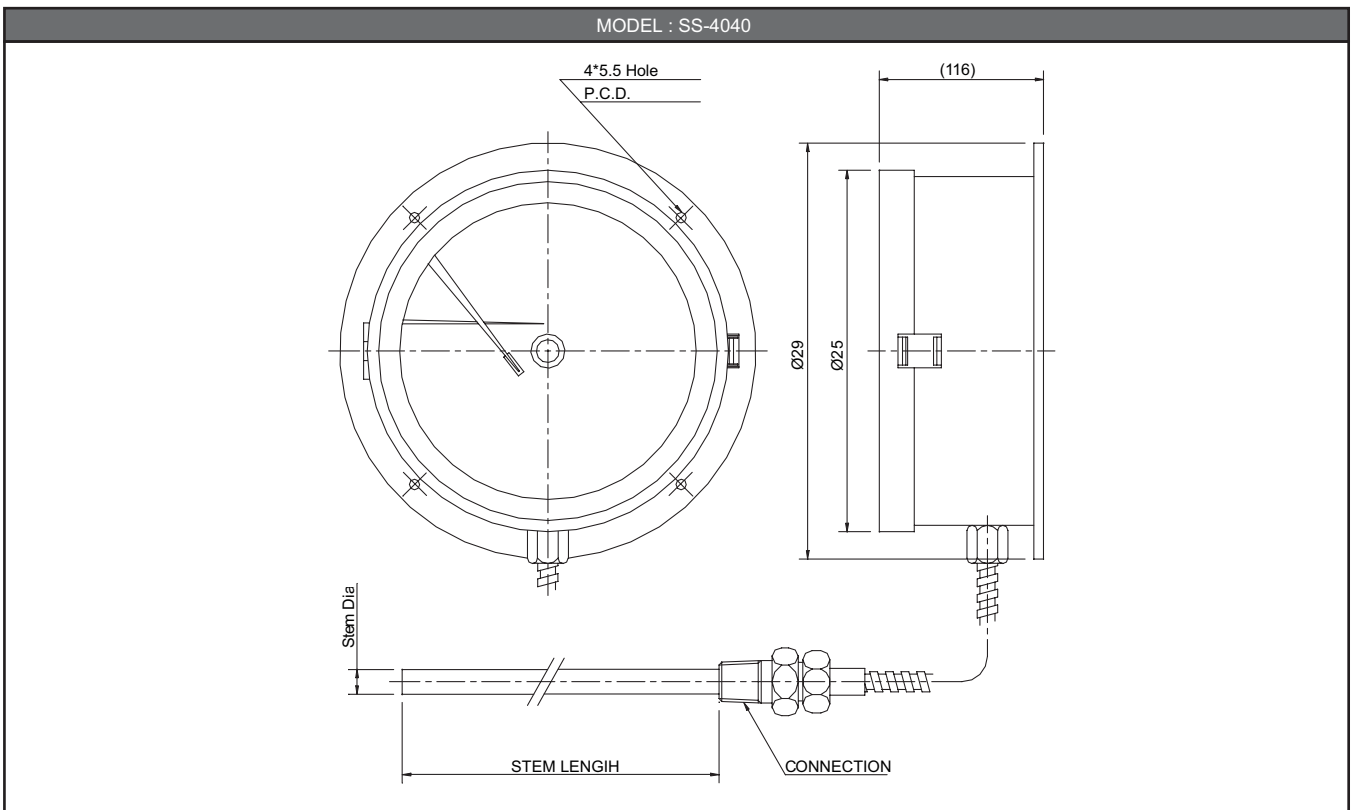
SS-4040	CAPILLARY	BULB SIZE	CONNECTION SIZE	RANGE
	2M	12X135	PT 1/2	0 ~ 100



### Specifications

- Materials of case & cover : Aluminum alloy casting (AC)
- Surface finish : Black melamine resin baking finish
- Dial cover : Ordinary glass
- Allowable temperature range :  
LB (-50 ~ +4008C)  
HG(-50 ~ +5508C)
- Remote measuring length : Maximum length LB=5m Hg=10m
- Clock : Manual winding type or electric type 12hr/R or 24hr/R
- Recording mechanism : Chart paper drive ink recording method
- Attachments : Chart paper 100 sheets; Recording ink 1 bottle ; Spare pen point 1; Case lock 1; Clock key 1

### Dimensions



<b>A</b>	Recorders
<b>B</b>	Data Loggers
<b>C</b>	Indicators
<b>D</b>	Converters
<b>E</b>	Controllers
<b>F</b>	Thyristor Units
<b>G</b>	Transmitters
<b>H</b>	Temp. Sensors
<b>I</b>	Thermo Meters
<b>J</b>	Pressure Gauges
<b>K</b>	Others

SS-4010,  
SS-4020

SS-4030  
SS-4040

SS-4050  
SS-4060

SS-4067  
SS-4068

SS-4070  
SS-4080

SS-4090  
series