

Ordering Codes

TYPE	CONTACT	MODEL	TYPE	DIAMETER	CON. SIZE
GENERAL	H or L	SS - 4021	B	100	1 / 2
	H and L	SS - 4022	B D		
	H - L	SS - 4023	B	150	PT PF
	RANGE	BULB LENGTH	CAP TUBE		
	-20 °C) °C60	refer to Mercury Filled type (pagr E-2)	STANDARD 2m MAXIMUM 10m	AC 110 / 220V 5A	

TYPE	CONTACT	MODEL	TYPE	DIAMETER	CON. SIZE
MICRO S/W	H or L	SS - 4025	B	100	1 / 2
	H and L	SS - 4026	B D		
	RANGE	BULB LENGTH	CAP TUBE	CAPACITY	
	-20) 650°C	Double for General	STANDARD 2m MAXIMUM 10m	AC 110 / 220V 5A	

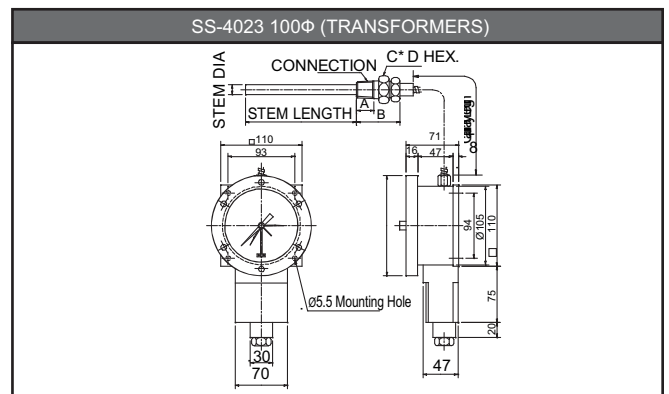
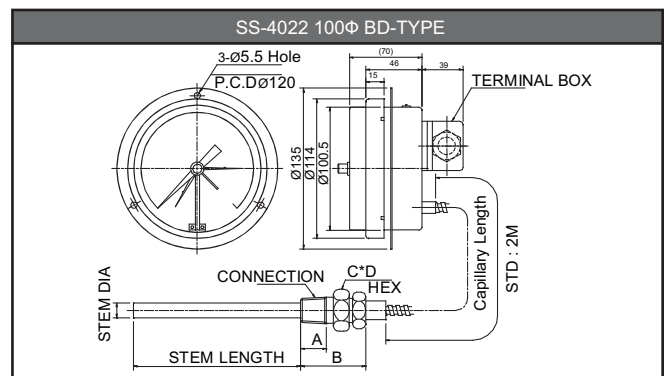
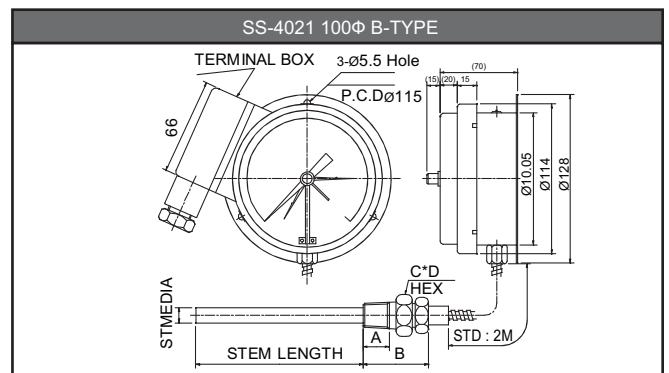
MODEL	TYPE	DIA METER	CAPILLARY LENGTH	BULB SIZE
SS-4021	B	100	2M	12 X 951
	CONNECTION SIZE		RANGE	
PT 1 / 2		0 ~ 100°C		

Specifications

- Materials of case & cover :
Aluminum alloy casting or stainless steel
- Surface finish :
Melamine resin baking finish, gray (Munsell color chart No. N7/0)
- Dial cover :
Contactor adjustable from inside type . . . Ordinary glass
Outside type . . . Methacrylate resin
- Allowable temperature range :
LB (-50 ~ +4008C)
HG(-50 ~ +5508C)
- Remote measuring length :
 - Single capillary tube :
Max. length (LB=5m, HG=10m)
 - Double capillary tube :
Max. length (LB. HG = 30m)
- Electric contactor :
One contactor type (upper or lower limit one contact)
Two contactor type (upper or lower limit two contacts, upper & lower limit two contacts)
- Contactor capacity :
AC 100/200V 0.4/0.2A
DC 100/200V 0.02/0.01A (Resistance load)
- Contactor adjusting method :
Internal or external adjusting method
- Cord wire system
Terminals for communication devices



Dimensions



A	Recorders
B	Data Loggers
C	Indicators
D	Converters
E	Controllers
F	Thyristor Units
G	Transmitters
H	Temp. Sensors
I	Thermo Meters
J	Pressure Gauges
K	Others

SS-4010, SS-4020
SS-4030 SS-4040
SS-4050 SS-4060
SS-4067 SS-4068
SS-4070 SS-4080
SS-4090 series

Dimensions

