

Differential pressure gauges are equipped with two pressure connections, L(for low pressure) and H (for high pressure) and indicate the differential pressures between L and H on the dial. These types are available for measuring not only differential pressures but also liquid levels or flow by substituting other units for the differential pressure measuring unit.

Features

- **Safety control**
 - Use valve surely.
 - Install protection equipment under severe vibration, pulsation and sudden pressure change.
 - Do not give a shock when deliver, install and use.
 - Install the pressure gauge vertically or horizontally.
- **Purpose**
 - All sorts of flow measurement
 - For differential pressure liquid level gauges



Specifications

- Decide shape, size, material and connection screw in accordance with measuring condition.
- Ordinary using pressure with pressure condition is set generally as follows.
 - Static pressure : 3/4 of maximum value
 - Fluctuation pressure : 3/5 of maximum value
- **Description**
 - Size : 150(mm)
 - Pressure range : 500(mmAq) or more
 - Maximum pressure (kgf/cm²) :30
 - Mounting base type :2B pipe or surface

Material

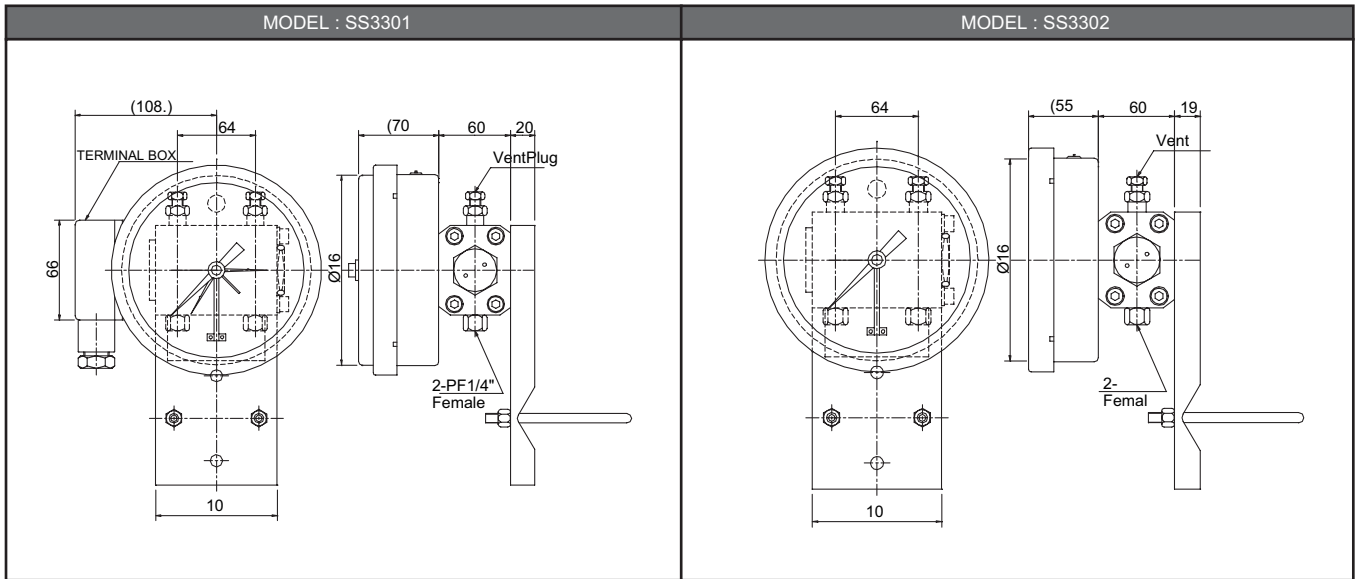
- Case, cover : A1 or St. St
- Body : St. St
- Connection : St. St
- Bellow : BS or St. St

Ordering Codes

Model No.	Differential pressure range	One-sided pressure tight	Base pressure	Dial size	Mounting	CONTACT AC110V/ 220V 0.5A	Connection	Performance			
	Kg / cm ²			(mm)				Accuracy	Setting accuracy	Repeat-ability	Dead band
SS-3301	0.05	2	~50	150DIA	2B(50A) Pipe	2	PT1/4	±1.0%F.S	-	-	-
SS-3302	~10	4 12			Panel	-	Female	±1.5%F.S			

SS-3302	CONNECTION SIZE	DIFFERENTIAL PRESSURE	PRESSURE(P1)	LIQUID CONTACT MATERIAL	3WAY VALVE
	PF1/40	0-1000mmAq	2Kg f / cm ²	STS304y	y

Dimensions



A	Recorders
B	Data Loggers
C	Indicators
D	Converters
E	Controllers
F	Thyristor Units
G	Transmitters
H	Temp. Sensors
I	Thermo Meters
J	Pressure Gauges
K	Others

SS-3010 -3080
SS-3110 -3300
KCQ-21 KCQ-30
KCD-21