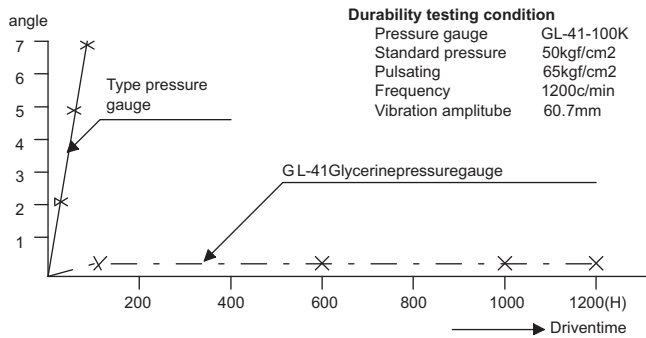
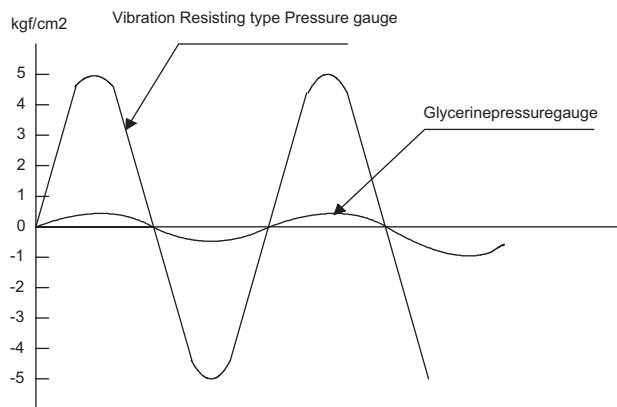


Under severe vibration and pulsation, Glycerin filled pressure gauge was said to be impossible to use, however, now, this gauge will satisfy you for the measurement of pressure under the aforementioned conditions, therefore, this gauge can be said the most authentic gauge ever made. Completely, sealed inside of the pressure gauge which is being filled with transparent and high specific gravity Glycerin, by taking advantage of peculiar character of viscosity of glycerin decreases the speed of changing position of Bourdon tube, simultaneously, being applied fluid lubrication to the moving part of the inside mechanism, abrasion will be remarkably decreased, thus, it is a durable pressure gauge.



**Diagram 1. Testing Result of Glycerin pressure Gauge**



**Diagram 2. Testing Result of Pulsation pressure**  
 Standard pressure 50kgf/cm<sup>2</sup>  
 Pulsation Pressure 65kgf/cm<sup>2</sup>

**Besides :**  
 Glycerin Making is done 20658C.  
 If the pressure gauge will be used other than - 58C ~ 408C, the filling of Glycerin should be suspended until the temperature becomes the same as the one you are going to use and to avoid generation of inside pressure.



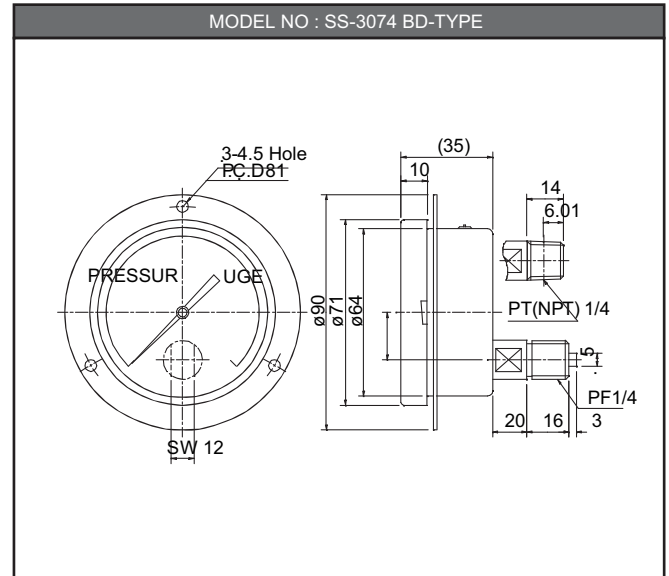
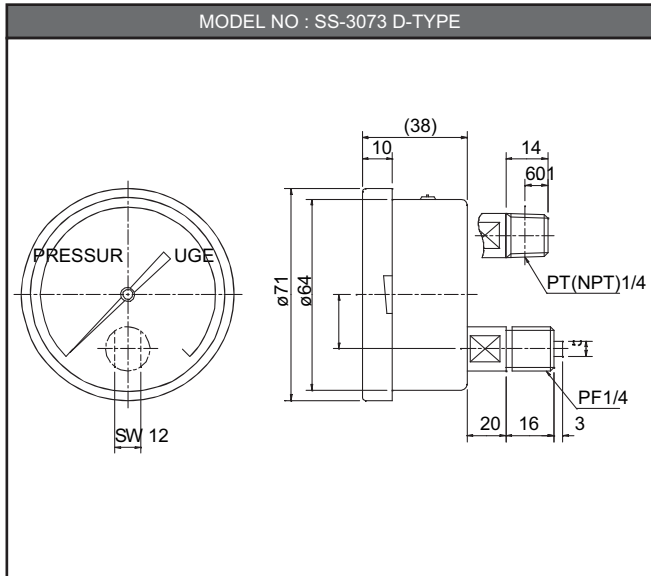
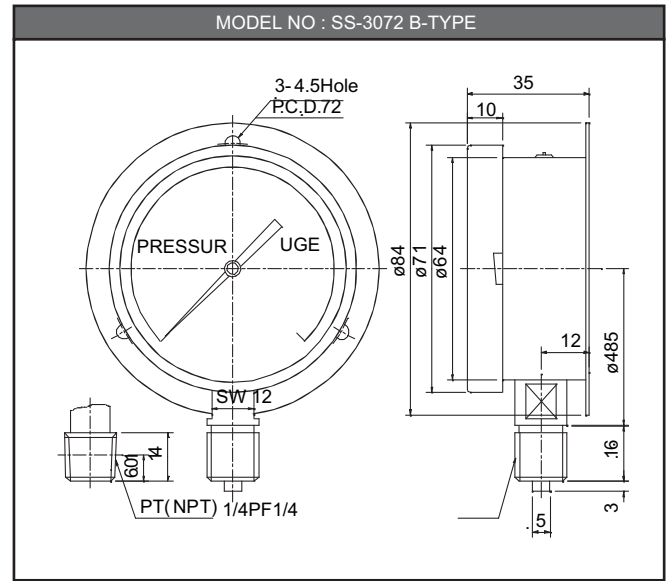
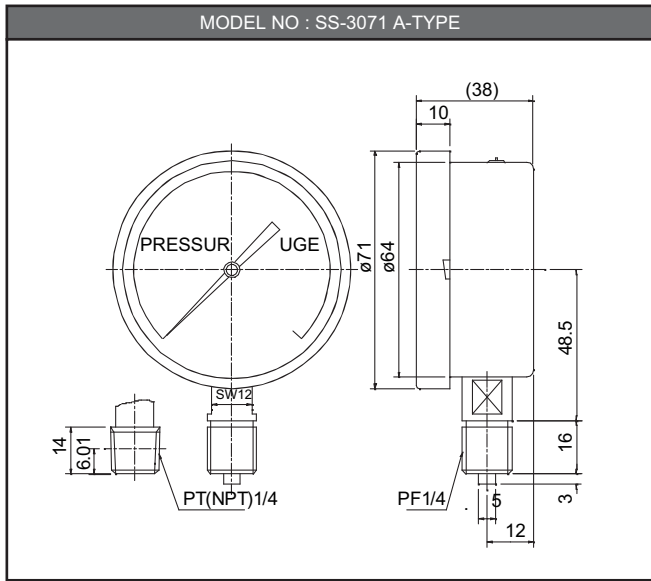
Pressure Gauges  
**KONICS**

### Ordering Codes

MODEL	TYPE	DIA MITER	RANGE	CONNECTION SIZE	ACCURACY
SS-3071	A	60	- 7.6 c m H g ~ 0	PT 1/4 PF 3/8 1/2	±1.0% F S
SS-3072	B	75	~ 2.5 0 K g / cm <sup>2</sup>		
SS-3073	D	100	- 7.6 c m H g ~ 0		
SS-3074	B D	150	~ 2.0 0 0 K g / cm <sup>2</sup>		

MOLDEL	ACCURACY	CON' N SIZE	DIAMETER	RANGE	CON' N MATL
SS-3071	1.0	P.T-1/2	100	0-100 Kg/cm <sup>2</sup>	SUS316

### Dimensions



DIA (mm)	RANGE Kg/(cm <sup>2</sup> )	a	b	d	d <sub>2</sub>	D	D <sub>1</sub>	D <sub>2</sub>	D <sub>2</sub>	D <sub>3</sub>	D <sub>3</sub>	n	h, f, L		
													PF1/4	PF3/8	PF1/2
$\phi 60$	1~250	12	34	PF1/4	4.5	71	64	84	90			21	62,16,12		
$\phi 75$	1~250	12	38.5	PF3/8	4.5	87	80	97	73			21.5		72,18,14	
$\phi 100$	1~2000	19	46	PF1/2	5.5	114	100.5	128	100.5			33			94,20,17
$\phi 150$	1~2000	21	51.4	PF1/2	5.5	167	152	188	152						120,20,17

### Material

- Case: STS-304
- Bourdon tube: STS-304, STS-316
- Connection : STS316
- Filling liquid : Glycerin, Silicone oil

### Pressure Gauges

# KONICS

<b>A</b>	Recorders
<b>B</b>	Data Loggers
<b>C</b>	Indicators
<b>D</b>	Converters
<b>E</b>	Controllers
<b>F</b>	Thyristor Units
<b>G</b>	Transmitters
<b>H</b>	Temp. Sensors
<b>I</b>	Thermo Meters
<b>J</b>	Pressure Gauges
<b>K</b>	Others

SS-3010  
~3080

SS-3110  
~3300

KCQ-21  
KCQ-30

KCD-21