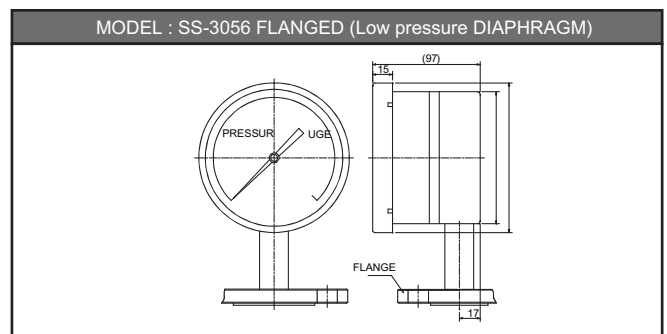
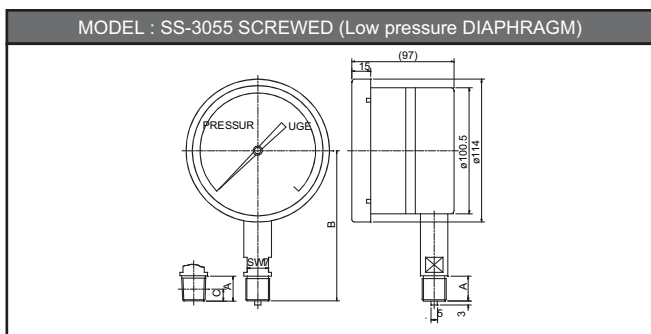
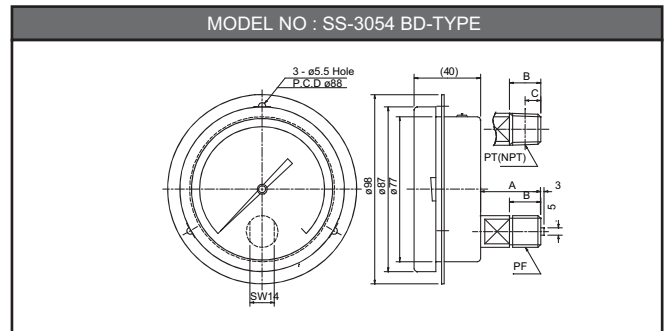
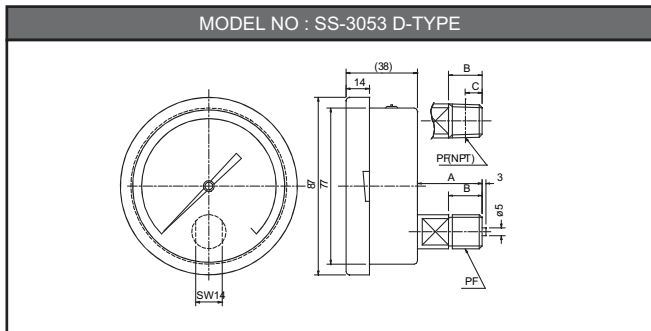
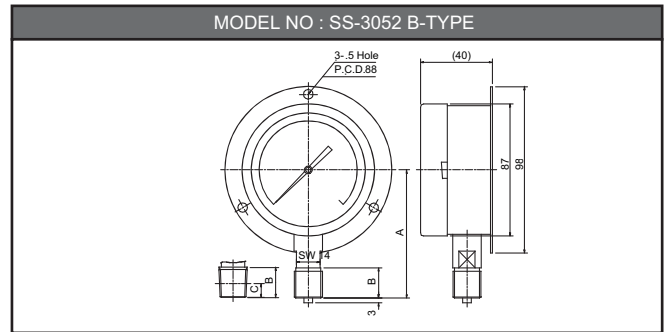
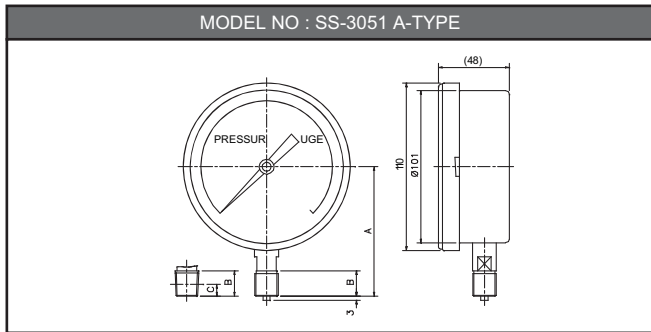


Dimensions



DIA METER (mm)	RANGE (mmAg)		Dimensions(mm)												
			a	b	d	d	D	D ₁	D ₂	D ₃	n	h, f, L			
	BRASS	St. St.										PF1/4	PF3/8	PF1/2	
Φ75	300/5000		18.5	42.5	PF3/8		78	77					73,18,14		
		500/5000	12	38.5	PF3/8	4.5	86	76	98	88	21.5		72,18,14		
Φ100	50/5000		19	46	PF3/8		110	100.5					84,18,14		
		100/5000	19	38	PF1/2	5.5	113	100.5	128	115				94,20,17	

Material

- Case : STS-304, STEEL
- Connection : BRASS, STS-304, STS-316
- Diaphragm : BRASS, STS-304, STS-316
- Connection : BRASS, STS-304, STS-316
- Contact : 1 or 2 point (option)

Pressure Gauges

KONICS

A

Recorders

B

Data
Loggers

C

Indicators

D

Converters

E

Controllers

F

Thyristor
Units

G

Transmitters

H

Temp.
Sensors

I

Thermo
Meters

J

Pressure
Gauges

K

Others

SS-3010
~3080

SS-3110
~3300

KCQ-21
KCQ-30

KCD-21

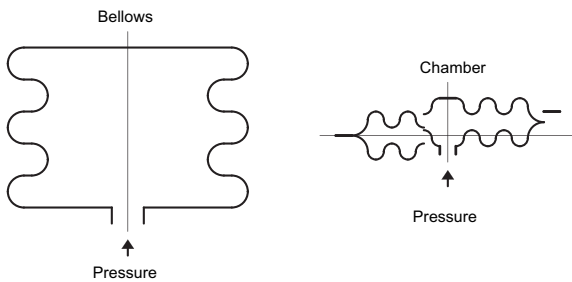
The low pressure gauges can be classified into three types according to the difference of size and elements, or chamber type of 100 DIA, Bellows type of 100 DIA and Bellows type of 150 DIA. They are available for the measurements of the low pressure which is impossible to be measured by the Bourdon tube type pressure gauges. They can measure not only the pressure but also volume and the depth of liquid in a tank. If the liquid happens to enter the elements, the gauges may be out of order. In such cases, purge the liquid in the elements using air as a medium according to the air-purge method.

Features

The displacements of pressure elements, either being chamber type or Bellows type, are applied to measure the pressure. The displacements being magnified by the amplifying mechanism with the built-in precision movement are transmitted to the pointer.

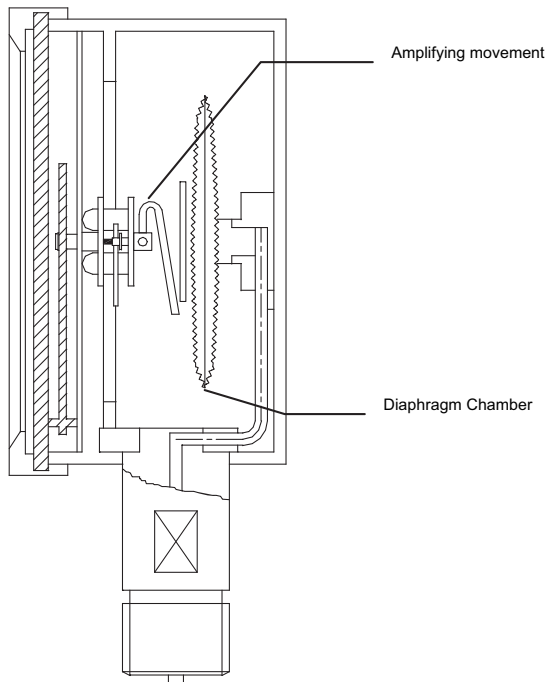
• Chamber type

This type is a fixed two corrugated metallic discs and uses the displacements by being pressurized inside as it is shown below.



• Chamber type

This type is a fixed two corrugated metallic discs and uses the displacements by being pressurized inside as it is shown below.



Ordering Codes

MODEL	TYPE	DIAMETER	RANGE	CONNECTION	CONTACT (OPTION)	ACCURACY
SS-3051	A	75Φ	75Φ :	PF3/8	500mmAq or	±2% FS
SS-3052	B	100Φ	0-300/5000mmAq	PF1/2	over	
SS-3053	D		100Φ :			
SS-3054	BD		0-50/5000mmAq			
SS-3055	-	100Φ	500mmAq or more	SCREWED	1 or 2 point	
SS-3056	-	100Φ		Flanged		

SS-3051	CON'N SIZE	DIA METER	RANGE	CON'N MATL
	PF 3/8	100	0-2000mmAq	SUS-304

Pressure Gauges

KONICS