

Diaphragm pressure gauges are ideal for pressure measurements of high viscosity fluid and solid if able liquid. These gauges are commonly used in plant services using very high corrosive chemicals such as chemical fiber, oil, paper, drug and food industries. Materials may vary according to applications. Liquid contact element is usually made of STS 316 or other materials such as tantalum, titanium, or glass lining may be used. For the diaphragm, stainless steel or Teflon, may be specified field General Information

Features

A flexible diaphragm divides Bourdon-tube from pressurized fluid. The special liquid is filled between the Bourdon-tube and the diaphragm. The pressure acts against the effective area of a diaphragm and causes the Bourdon-tube to actuate an amount proportional to pressure, resulting in scale reading.

Ordering Codes

| MODEL | TYPE | DIAMETER | RANGE | ACCUACY |
|---------|--------------------|----------|---------------------|------------|
| SS-3031 | SCREW | | | |
| SS-3032 | PAD FLANGE | 60mm | 0 - 100 Kg/ cm2 | ± 1.0% F.S |
| SS-3033 | FLANGE | 75mm | 0 - 76cmHg | |
| SS-3034 | REMOTE SEAL SCREW | 100mm* | 76cmHg - 20 Kg/ cm2 | |
| SS-3035 | REMOTE SEAL FLANGE | 150mm* | | |
| SS-3036 | REMOTE SEAL FLANGE | | | |

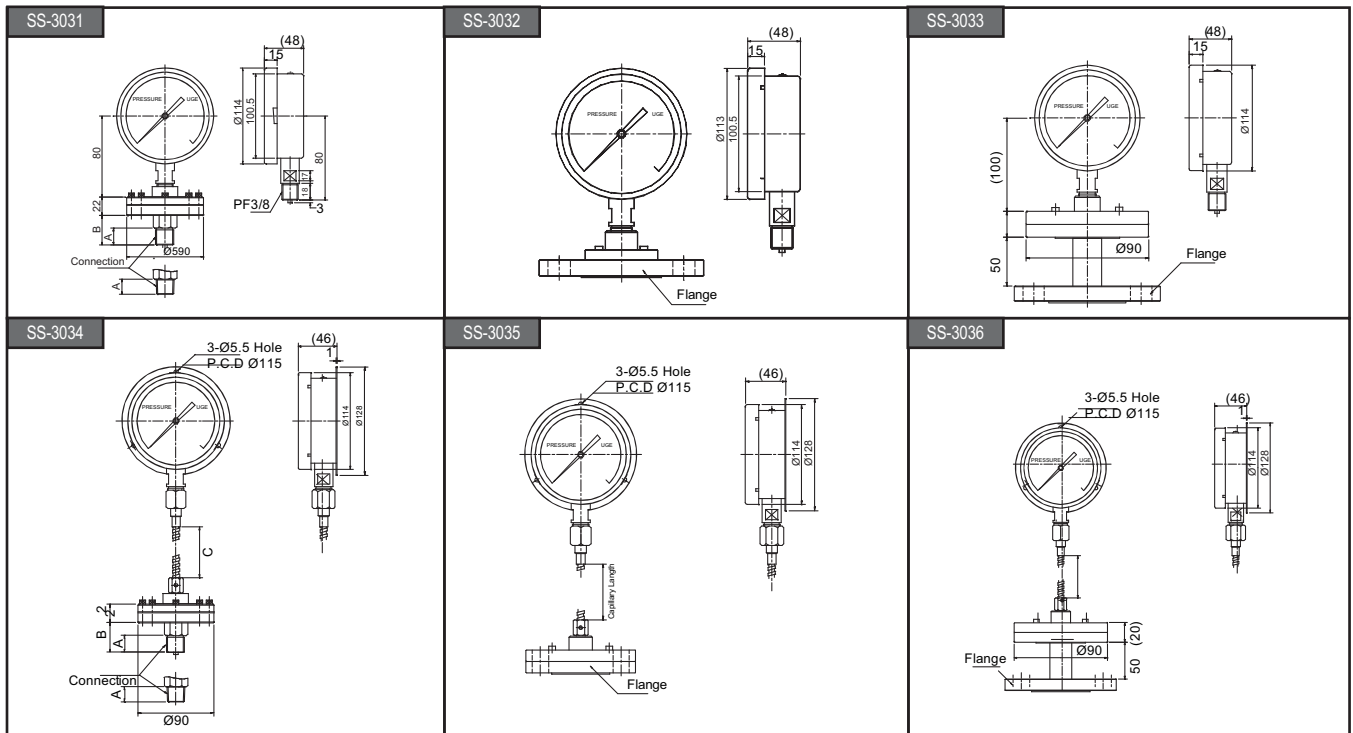
| MODEL | ACCURACY | CON'N SIZE | DIA METER |
|---------|-----------------------------|------------|------------------|
| SS-3031 | 1.0 | PT 1/2 | 100 |
| | RANGE | CON'N MATL | CAPILLARY LENGTH |
| | 0~100 kg f/ cm ² | SUS316 | 2 m |



Specifications

- Screw connection type
- Flange connection type
- PAD Connection type
- Remote Seal Flange & Pad Type.

Dimensions



Material

- CASE : AL CASTING, STS-304
- BOURDON : STS-304, STS-316 BRASS
- CONNECTION : STS-304, STS-316, OTHERS
- DIAPHRAGM : TEFLON, STS-304, STS-316, TITANIUM, OTHERS