

Stainless steel is used for Bourdon-tube, case and connection so as to resist strongly against corrosive pressurized fluids. Our unique sophisticated welding technique provides excellent quality on Arc-welded Bourdon-tube and connection, thus corrosive resistance is assured in all parts. For size 75 and 100-3/8 screw type cover, a resin O-ring seals the cover tightly to protect the gauge mechanism from corrosive atmosphere. Size 60 comes with chromeplated iron case. Bourdon-tube and connection in stainless steel are used for measurement of corrosive fluids, where ordinary type Bourdon-tube gauges in copper alloy are unsuitable. Pressurized fluids, however, must be low viscosity and free from any hard and solid particles.

Specifications

- Scale range :
-76cmHg~0~2000(kg f/ cm²)
60, 75, 100, 150 and 200(mm)
- Size(D) : 60& - AU 1/4, DU 1/4
- Type :
75&, 100& - AU 3/8, BU 3/8, DU 3/150&, 200& - AU 3/8, BU 3/8, DU 100&, 150&, 200&
- Element material :
Bourdon-tube-, connection
STS 304, 316
Inside frame and case(Resin, iron, steel)
Other materials are available on request.
- Accuracy :
Scale style and divisions are the same with ordinary gauges, confirming to KS B 5305 (Grade1.0)
- Option : General contact ,AC 110/220V 0.5A

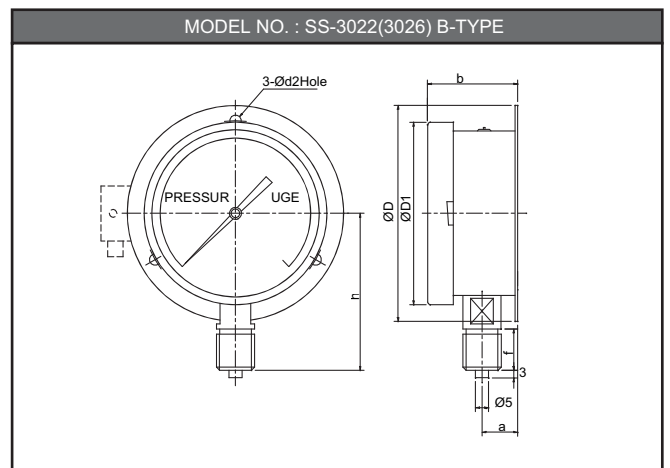
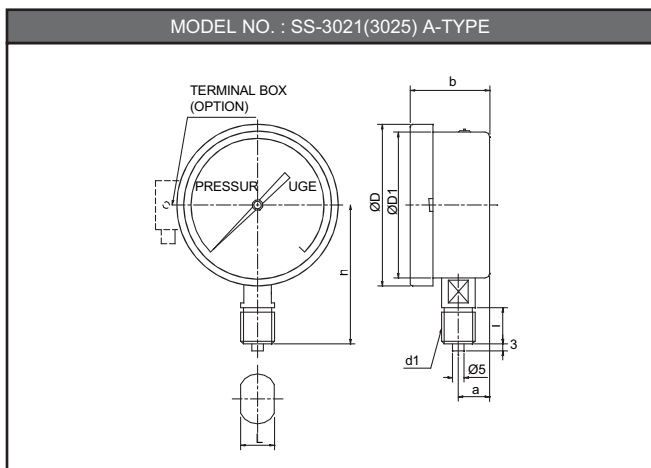


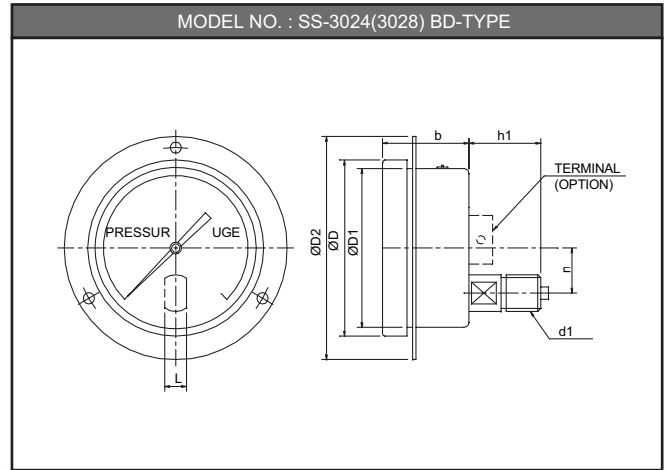
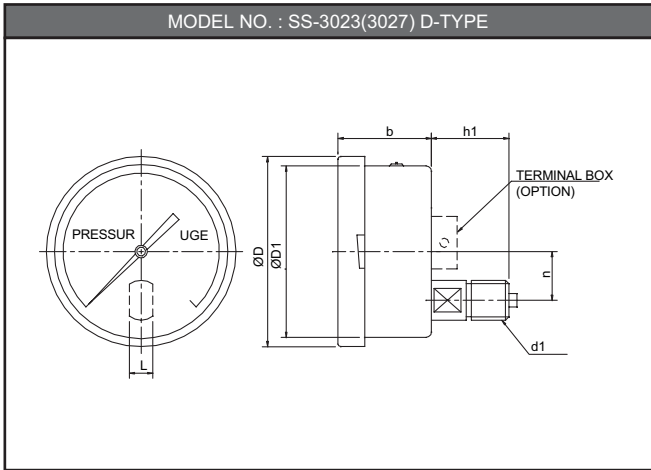
Ordering Codes

MODEL	TYPE	DIAMETER	RANGE	CONNECTION SIZE	ACCURACY	OPTION
SS-3021/3025	A	60mm		1/4		GENERAL
SS-3022/3026	B	75mm	-76cm Hg-0-2000kg/cm ²	3/8	± 1.8% F.S	CONTACT
SS-3023/3027	D	100mm*		1/2		AC110/220V 0.5A
SS-3024/3028	BD	150mm*				

SS-3021	ACCURACY	CONNECTION SIZE	DIA METER	RANGE	CON'N MATL
	1.0	PT 1/2	100	0~100 kg f/ cm ²	SUS316

Dimensions





CONTACT	DIA (mm)	RANGE (Kg/cm ²)	Dimensions(mm)													
			a	b	d	d ₂	D	D	D ₂	D ₂	D ₃	D ₃	n	h, f, L		
														PF1/4	PF3/8	PF1/2
	60	1~250	12	34	PF1/4	4.5	71	64	80(90)		72(81)		21	62,16,12		
	75	1~250	12	38.5	PF3/8	4.5	87	80	97(107)		88(97)		21.5		72,18,14	
o	100	1~2000	19	46	PF1/2	5.5	114	100.5	128(135)		115(120)		33			94,20,17
	125															
o	150	1~2000	21	51.4	PF1/2	5.5	167	152	188				33			120,20,17
	200															

Material

- Case : STS-304
- Bourdon : STS-304, STS-316
- Connection : STS-316, others

A

Recorders

B

Data Loggers

C

Indicators

D

Converters

E

Controllers

F

Thyristor Units

G

Transmitters

H

Temp. Sensors

I

Thermo Meters

J

Pressure Gauges

K

Others

SS-3010
~3080

SS-3110
~3300

KCQ-21
KCQ-30

KCD-21