

# INDICATOR

## MULTI POINT INDICATOR

# KONICS

## SS-2400

The indicator SS-2400 can receive 1~99 points input and displays measuring value of process temperature and flow with automatic or manual change of input channel.

User should observe power supply and alarm relay contact

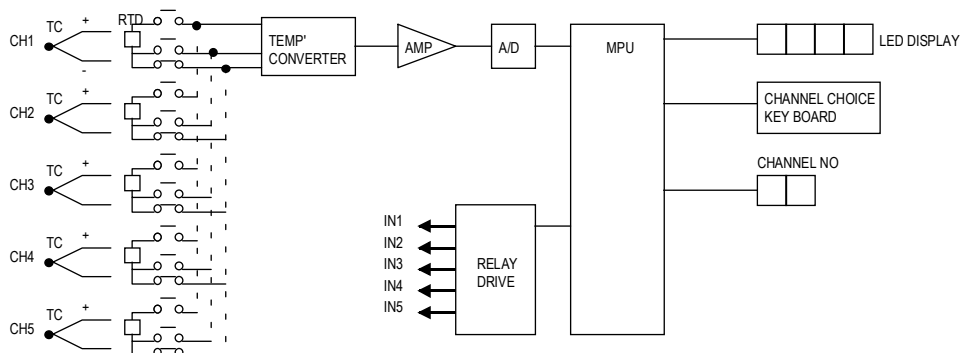


### SPECIFICATIONS

- Input (Common Multi) :**  
Thermocouple, RTD, mV, mA
- Input Channel :**  
12CH (MAX : 99CH Option)
- Indicating Accuracy :**  
 $\pm 0.25\%$  FS
- Display :**  
7Segment L.E.D
- Response Time :**  
Approx. 100ms
- Resolution :**  
 $\pm 1$  Digit
- Hysteresis :**  
Approx. 0.5% of FS
- Setting Width :**  
Full Scale
- External Resistance :**  
300 $\Omega$  at Maximum T.C Input  
10 $\Omega$  Per a wire for RTD Input
- Ambient Temperature :**  
-10 ~ 50°C
- Power Source Voltage :**  
AC110/220V 50/60Hz
- Permissible Power Source Function :**  
 $\pm 10\%$  of Nominal Voltage
- Setting Accuracy for common alarm :**  
 $\pm 0.5\%$  of FS
- Setting Resolution :**  
1Digit
- Cold Junction Compensation :**  
Fitted as standard for TC input
- Auto Time :**  
2sec (Key Adjust)
- Dimension :**  
288 × 288 × 355mm

### FUNCTIONS

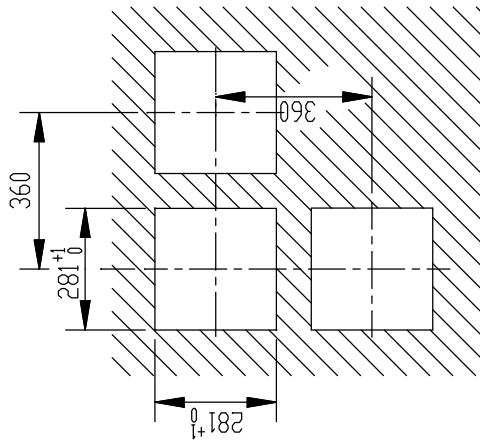
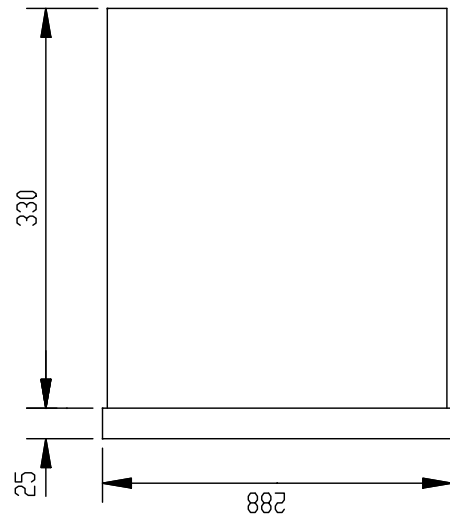
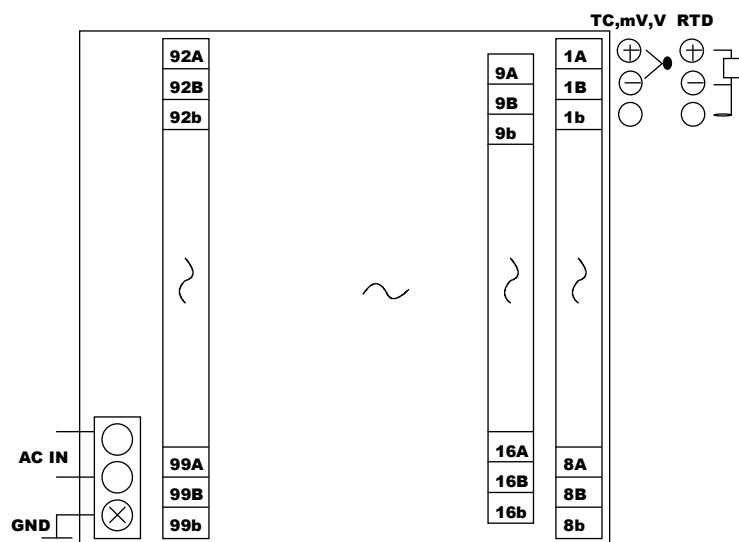
- Block diagram**



**OPTIONS** **Alarm :**

Common High/Low

Contact Rating AC 250V 1A

**DIMENSIONS** **Mounting dimensions** **Panel cutting and fitting pitch****TERMINAL**

**ORDERING CODE**

---

MODEL	INPUT	CHANNEL	CONTENT
SS-24	1		THERMOCOUPLE
	2		RTD
	3		mA
	4		mV, V
		1	12 CH
		2	24 CH
		3	36 CH
		4	48 CH
		5	60 CH
		6	72 CH
		7	84 CH
		8	96 CH
		9	OTHER(MAX99)