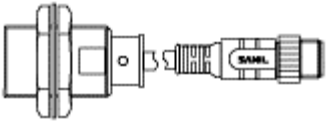
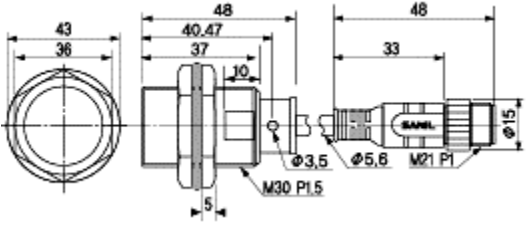


**SPECIFICATIONS**

Outer shape	Model	Sensing distance(m/m)	Output	Response frequency	Power source
30Ø 	SJ-30MSW	10	NPN NO	250 Hz	DC 10~30V

**OUTLINE DIMENSIONS**

Model	Shield type
SJ-30MSW	

**Sensing Fields(Typical)**

If detecting target with a smaller size than the standard target, the sensing distance will become shorter.

