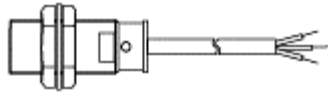
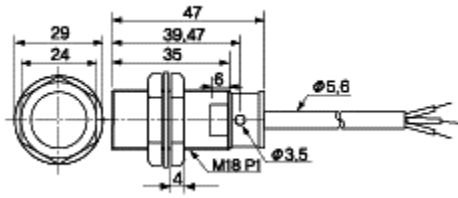


SPECIFICATIONS

| Outer shape | Model | Sensing distance(m/m) | Output | Response frequency | Power source |
|---|----------|-----------------------|-----------|--------------------|--------------|
| 18Ø  | SD-18MSW | 5 | NPN NO | 350 Hz | DC 10~30V |

OUTLINE DIMENSIONS

| Model | Shield type |
|----------|---|
| SD-18MSW |  |

Sensing Fields(Typical)

If detecting target with a smaller size than the standard target, the sensing distance will become shorter.

