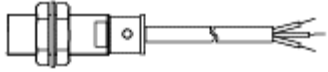
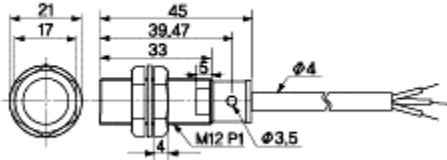


**SPECIFICATIONS**

| Outer shape   | Model    | Sensing distance(m/m) | Output    | Response frequency | Power source |
|---|----------|-----------------------|-----------|--------------------|--------------|
| 12Ø  | SD-12MSW | 2                     | NPN<br>NO | 800 Hz             | DC 10~30V    |

**OUTLINE DIMENSIONS**

| Model    | Shield type   |
|----------|---|
| SD-12MSW |  |

**Sensing Fields(Typical)**

**Sensing Fields(Typical)**

If detecting target with a smaller size than the standard target, the sensing distance will become shorter.

