


SPECIFICATIONS

Outer shape		Model	Sensing distance(m/m)	Output	Response frequency	Power source
18Ø		SA-18MS	5	NO	20 Hz	AC 100~240V 50/60Hz

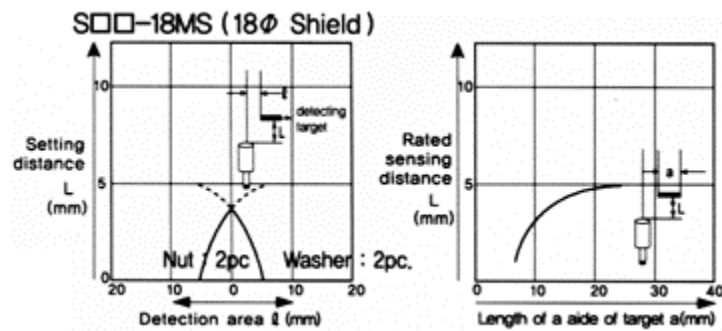
Model		SA-18MS
Shape		Shield
Setting distance(Rated)		5 mm ± 10%
Setting distance(Actual)		0~3.5 mm
Standard target		Iron 18×18×t1 mm
Hysteresis		Less than 10% of the rated sensing distance
Power source		AC 100~240V (AC 90~250V) 50/60Hz
Current consumption		Less than 2.5 mA
Output	Load current	5~200 mA
	Residual voltage	Less than 10V
Protection circuit		Surge protection circuit
Max. response frequency		20Hz
Environmental Resistance	Ambient temperature	-25 to +70°C, storage:-25~*80°C (Non-freezing condition)
	Protection	IP67(IEC Specification)
Cable		*Oil,heat and cold resistant cable *Cable type:cable with 2m *Connector type:cable SA-2I5, SA-2L5
Accessories		Nut:2pc Washer:2pc

OUTLINE DIMENSIONS

Model	Shield type
SA-18MS	

Sensing Fields(Typical)

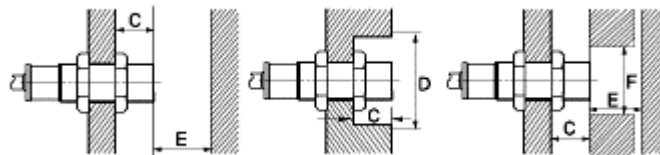
If detecting target with a smaller size than the standard target, the sensing distance will become shorter.



[top](#)

Sensors Embeded in Metal

If the sensor is completely embeded in metal, its sensing distance may decrease thus it shall be established with the following values as shown at Table1.



(Table 1.)

(Unit mm)

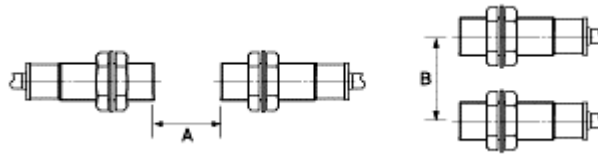
	Non-Shield			Shield		
	S□□-12M□ (8M)	S□□-18M□	S□□-30M□	S□□-12MS □ (8MS)	S□□-18MS□	S□□-30MS□
C	15(8)	22	30	0	0	0
D	36(24)	54	90	12(8)	18	30

E	20(6)	40	70	8(4.5)	20	40
F	40(24)	70	90	18(12)	27	45



Mutual Interference

When mounting plural proximity switches in parallel or face to face, allow the clearance listed in the table2. below to avoid mutual interference.



(Table 2.)

(Unit mm)

	Non-Shield			Shield		
	S□□-12M□ (8M)	S□□-18M□	S□□-30M□	S□□-12MS □ (8MS)	S□□-18MS□	S□□-30MS□
A	24(16)	48	90	12(9)	30	60
B	36(24)	54	90	24(16)	36	60

Sensing distance, Correction coefficient

The sensing distance listed in this specifications is for the standard target. For non-ferrous object detection, the sensing distance will be obtained by multiplying the correction coefficient.

Target	Iron	SUS 304	Brass	Aluminum
All models	1.0	Approx. 0.7	Approx. 0.4	Approx. 0.35