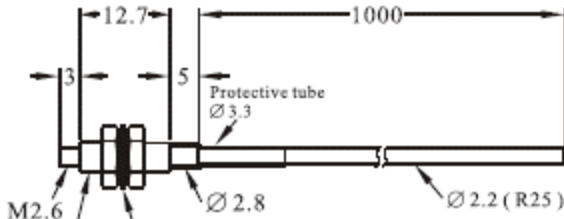


# FT-410

Free cut

Ø 1.0 fiber optic core × 1



**RiKO**

www.riko.com

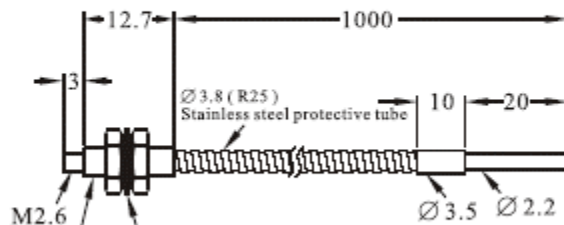
M4 P0.7  
SUS 303

Washer toothed lock Ø 8.3;  
Nuts width across flats 8 mm, thickness 2.3 mm

# FT-410-KS

Free cut

Ø 1.0 fiber optic core × 1



**RiKO**

www.riko.com

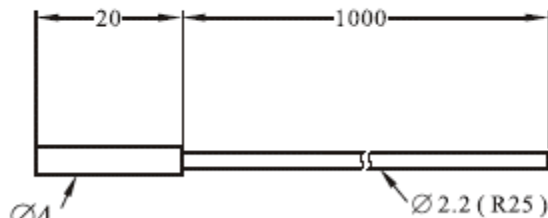
M4 P0.7  
SUS 303

Washer toothed lock Ø 8.3;  
Nuts width across flats 8 mm, thickness 2.3 mm

# FT-410-Q

Free cut

Ø 1.0 fiber optic core × 1



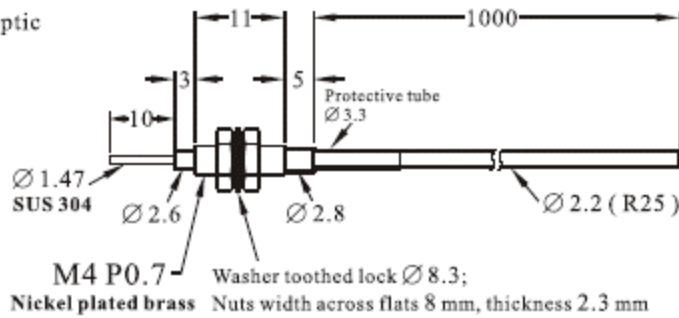
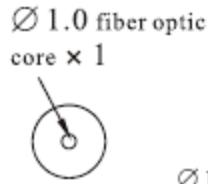
**RiKO**

www.riko.com

Ø 4  
SUS 303

# FT-410-I

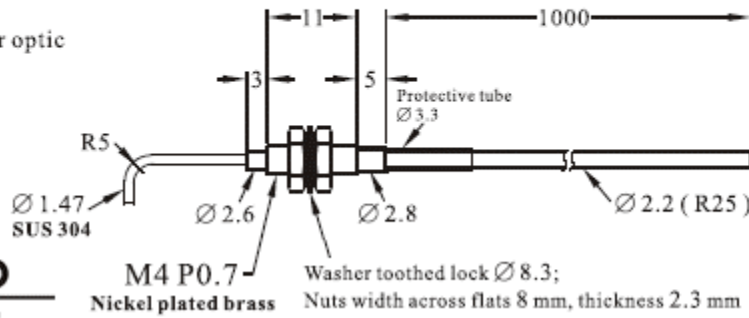
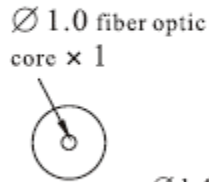
Free cut



**RiKO**  
www.riko.com

# FT-410-MU

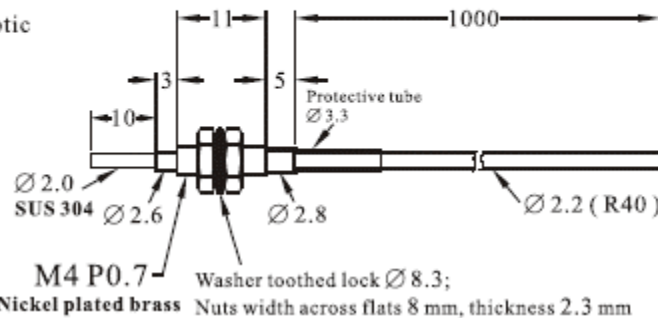
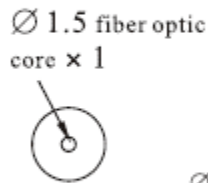
Free cut



**RiKO**  
www.riko.com

# FTX-410-I

Free cut



**RiKO**  
www.riko.com

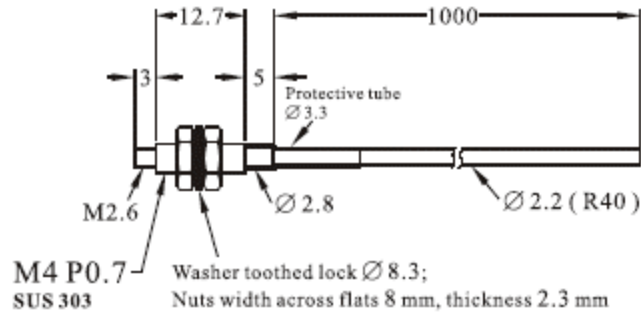
# FTX-410

Free cut

Ø 1.5 fiber optic core × 1



**RiKO**  
www.riko.com



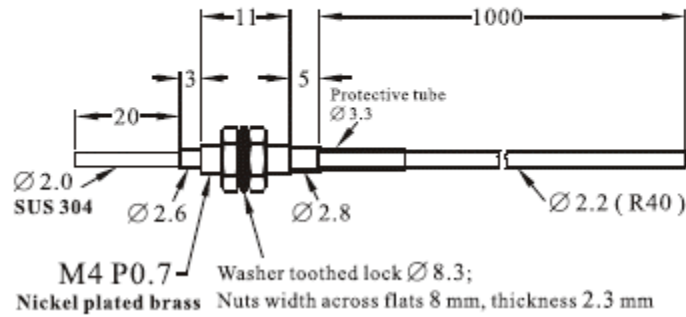
# FTX-410-S

Free cut

Ø 1.5 fiber optic core × 1



**RiKO**  
www.riko.com



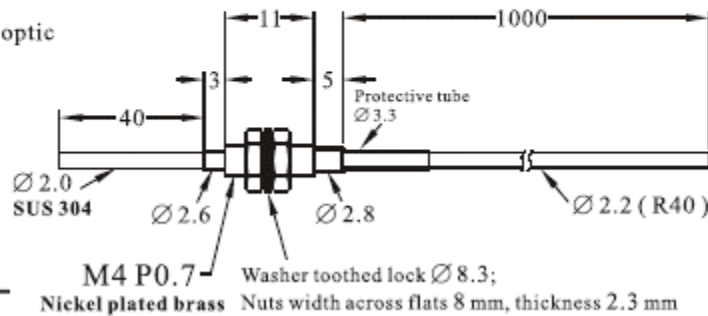
# FTX-410-M

Free cut

Ø 1.5 fiber optic core × 1



**RiKO**  
www.riko.com



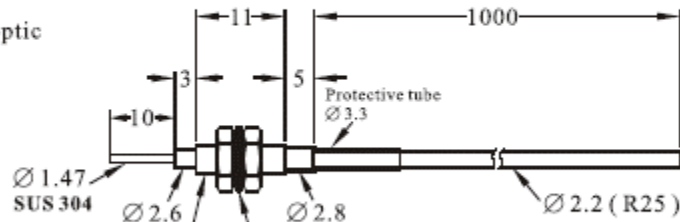


## FTH-410-I

Heat Resistant 115°C

Free cut

Ø 1.0 fiber optic  
core × 1



**RiKO**

www.riko.com

M4 P0.7  
Nickel plated brass

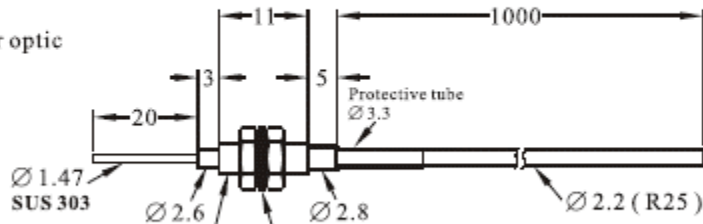
Washer toothed lock Ø 8.3;  
Nuts width across flats 8 mm, thickness 2.3 mm

## FTH-410-S

Heat Resistant 115°C

Free cut

Ø 1.0 fiber optic  
core × 1



**RiKO**

www.riko.com

M4 P0.7  
Nickel plated brass

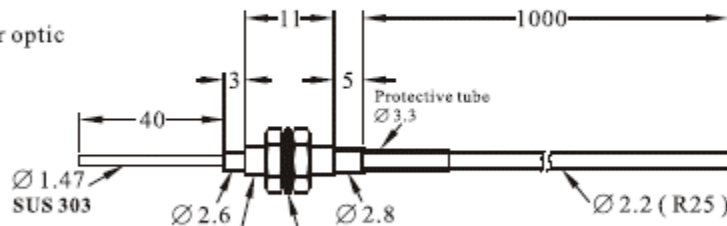
Washer toothed lock Ø 8.3;  
Nuts width across flats 8 mm, thickness 2.3 mm

## FTH-410-M

Heat Resistant 115°C

Free cut

Ø 1.0 fiber optic  
core × 1



**RiKO**

www.riko.com

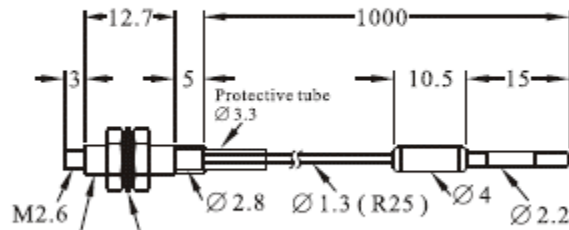
M4 P0.7  
Nickel plated brass

Washer toothed lock Ø 8.3;  
Nuts width across flats 8 mm, thickness 2.3 mm

# FTB-410

Free cut

Ø 1.0 fiber optic core × 1



**RiKO**

www.riko.com

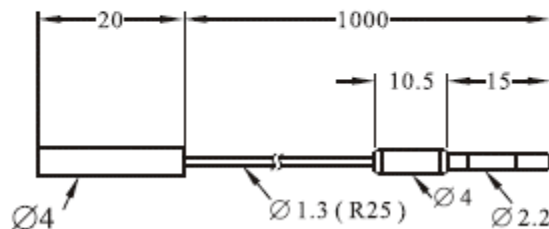
M4 P0.7  
SUS 303

Washer toothed lock Ø 8.3;  
Nuts width across flats 8 mm, thickness 2.3 mm

# FTB-410-Q

Free cut

Ø 1.0 fiber optic core × 1



**RiKO**

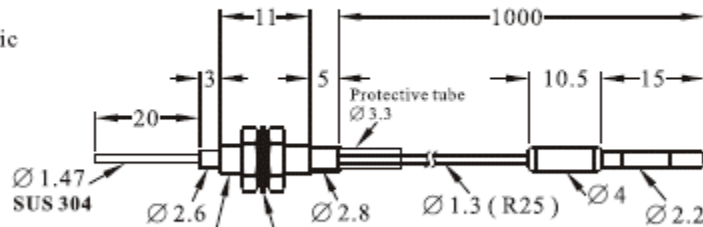
www.riko.com

Ø 4  
SUS 303

# FTB-410-S

Free cut

Ø 1.0 fiber optic core × 1



**RiKO**

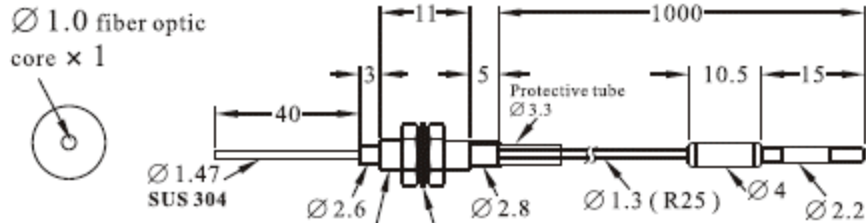
www.riko.com

M4 P0.7  
Nickel plated brass

Washer toothed lock Ø 8.3;  
Nuts width across flats 8 mm, thickness 2.3 mm

# FTB-410-M

Free cut



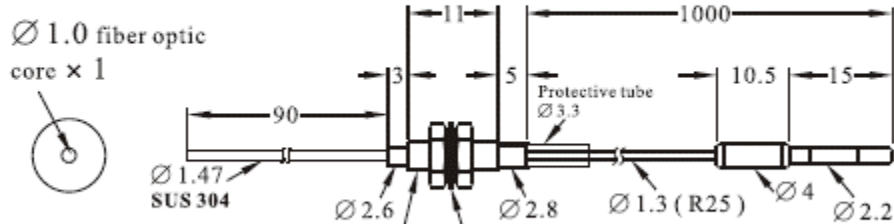
**RiKO**

www.riko.com

M4 P0.7 Nickel plated brass Washer toothed lock  $\varnothing 8.3$ ; Nuts width across flats 8 mm, thickness 2.3 mm

# FTB-410-L

Free cut



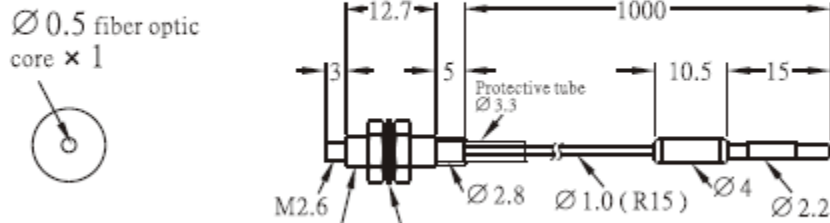
**RiKO**

www.riko.com

M4 P0.7 Nickel plated brass Washer toothed lock  $\varnothing 8.3$ ; Nuts width across flats 8 mm, thickness 2.3 mm

# FTS-410

Free cut



**RiKO**

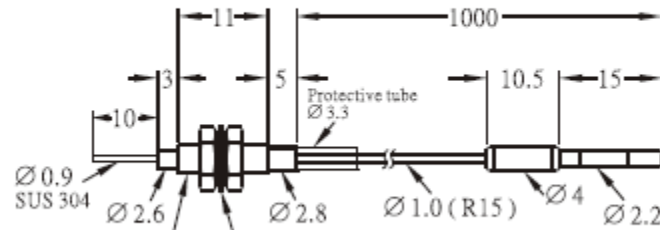
www.riko.com

M4 P0.7 SUS 303 Washer toothed lock  $\varnothing 8.3$ ; Nuts width across flats 8 mm, thickness 2.3 mm

# FTS-410-I

Free cut

Ø 0.5 fiber optic core × 1



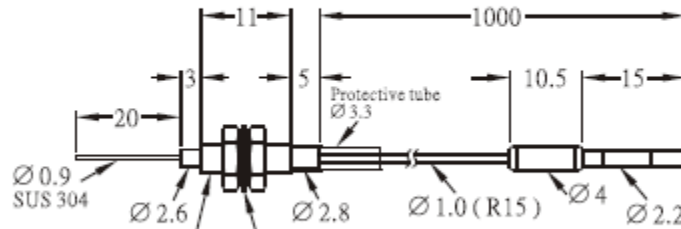
**RiKO**  
www.riko.com

M4 P0.7 Nickel plated brass Washer toothed lock Ø 8.3; Nuts width across flats 8 mm, thickness 2.3 mm

# FTS-410-S

Free cut

Ø 0.5 fiber optic core × 1



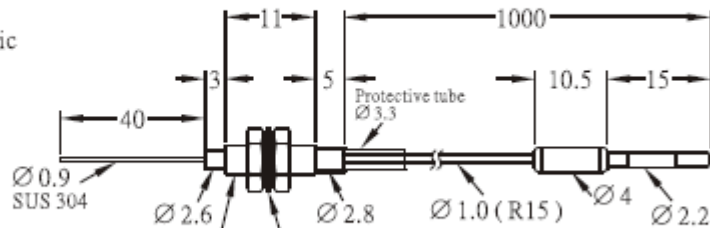
**RiKO**  
www.riko.com

M4 P0.7 Nickel plated brass Washer toothed lock Ø 8.3; Nuts width across flats 8 mm, thickness 2.3 mm

# FTS-410-M

Free cut

Ø 0.5 fiber optic core × 1



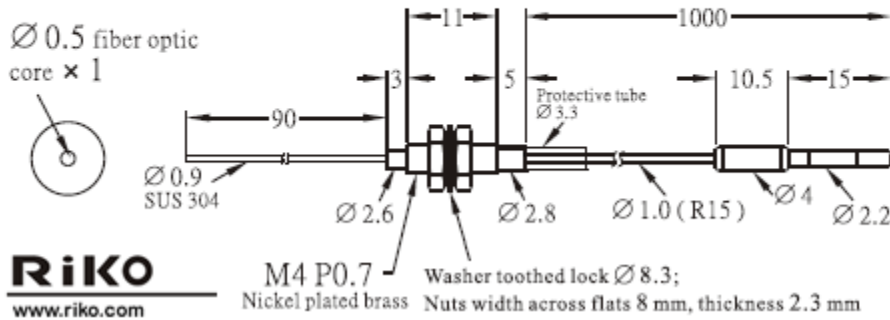
**RiKO**  
www.riko.com

M4 P0.7 Nickel plated brass Washer toothed lock Ø 8.3; Nuts width across flats 8 mm, thickness 2.3 mm



# FTS-410-L

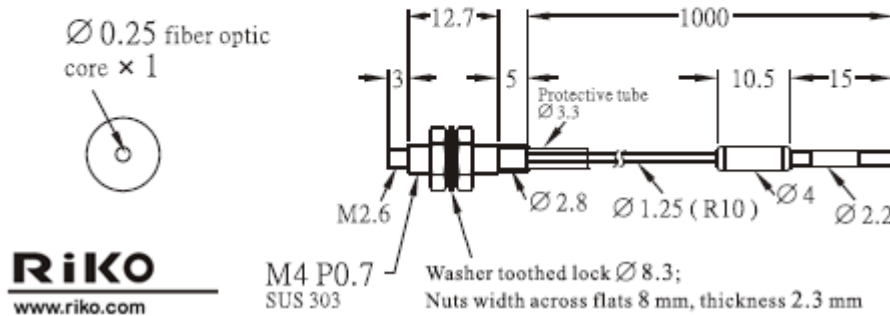
Free cut



**RiKO**  
www.riko.com

# FTA-410

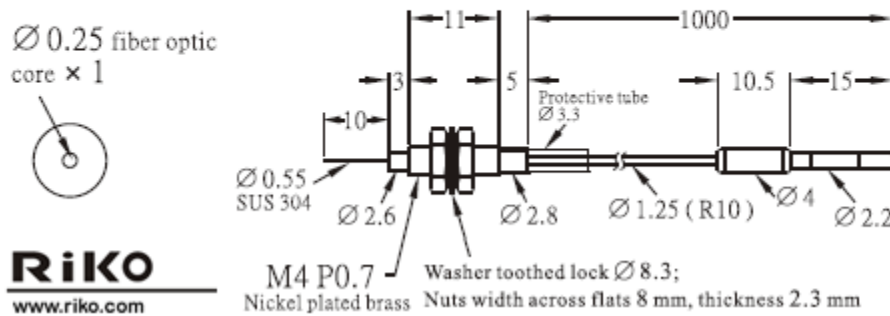
Free cut



**RiKO**  
www.riko.com

# FTA-410-I

Free cut

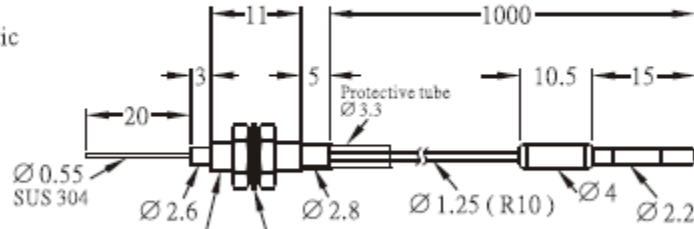


**RiKO**  
www.riko.com

# FTA-410-S

Free cut

Ø 0.25 fiber optic core × 1



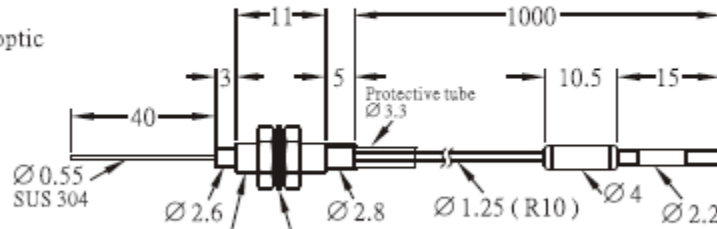
**RiKO**  
www.riko.com

M4 P0.7 Nickel plated brass Washer toothed lock Ø 8.3; Nuts width across flats 8 mm, thickness 2.3 mm

# FTA-410-M

Free cut

Ø 0.25 fiber optic core × 1



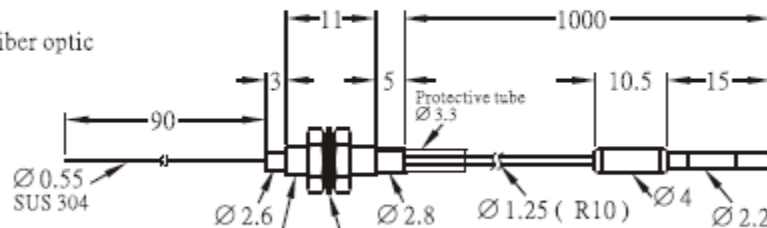
**RiKO**  
www.riko.com

M4 P0.7 Nickel plated brass Washer toothed lock Ø 8.3; Nuts width across flats 8 mm, thickness 2.3 mm

# FTA-410-L

Free cut

Ø 0.25 fiber optic core × 1

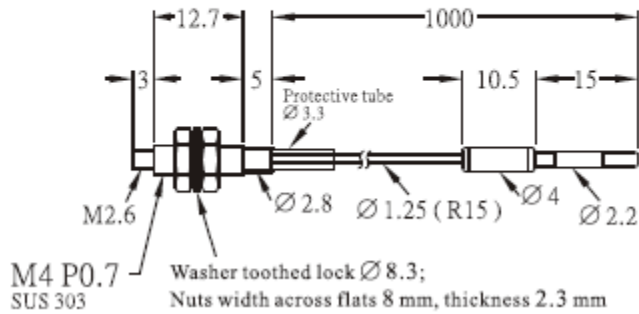
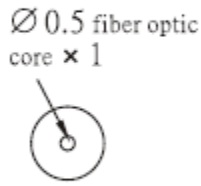


**RiKO**  
www.riko.com

M4 P0.7 Nickel plated brass Washer toothed lock Ø 8.3; Nuts width across flats 8 mm, thickness 2.3 mm

# FTD-410

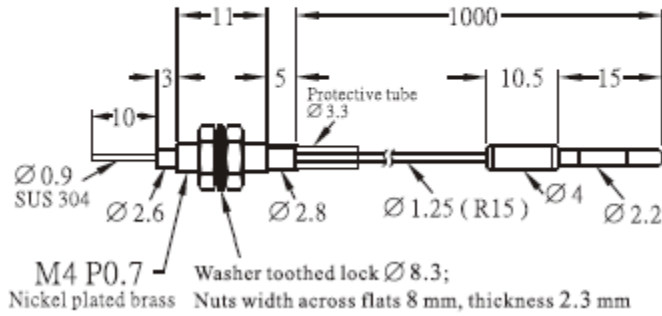
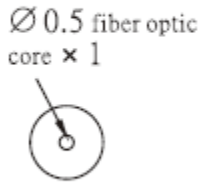
Free cut



**RiKO**  
www.riko.com

# FTD-410-I

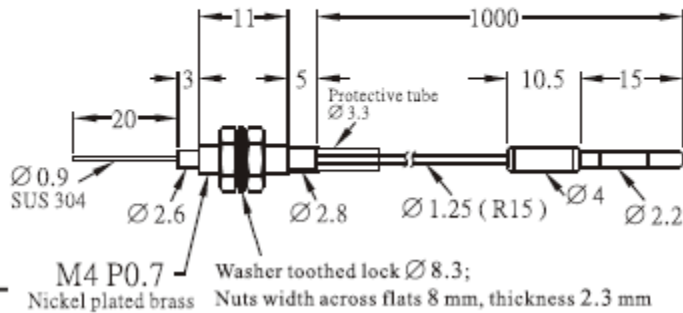
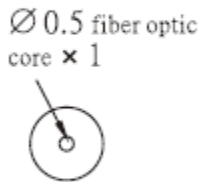
Free cut



**RiKO**  
www.riko.com

# FTD-410-S

Free cut

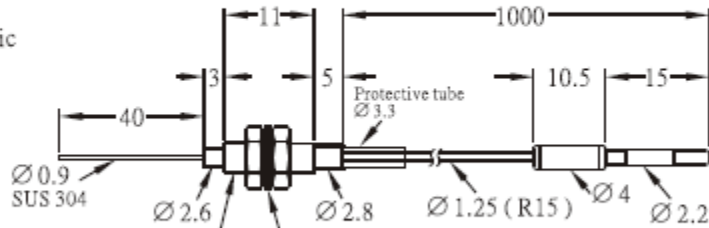


**RiKO**  
www.riko.com

# FTD-410-M

Free cut

Ø 0.5 fiber optic core × 1



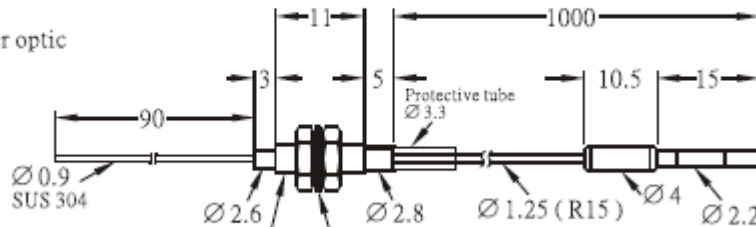
**RiKO**  
www.riko.com

M4 P0.7 Nickel plated brass Washer toothed lock Ø 8.3; Nuts width across flats 8 mm, thickness 2.3 mm

# FTD-410-L

Free cut

Ø 0.5 fiber optic core × 1



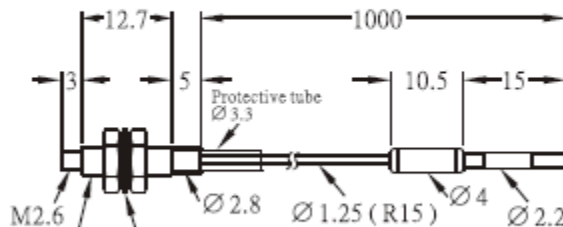
**RiKO**  
www.riko.com

M4 P0.7 Nickel plated brass Washer toothed lock Ø 8.3; Nuts width across flats 8 mm, thickness 2.3 mm

# FTJ-410

Free cut

Ø 0.75 fiber optic core × 1



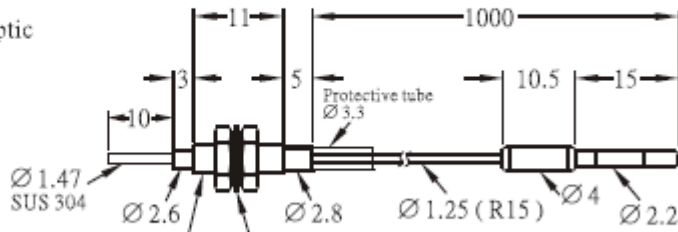
**RiKO**  
www.riko.com

M4 P0.7 SUS 303 Washer toothed lock Ø 8.3; Nuts width across flats 8 mm, thickness 2.3 mm

# FTJ-410-I

Free cut

Ø 0.75 fiber optic core × 1



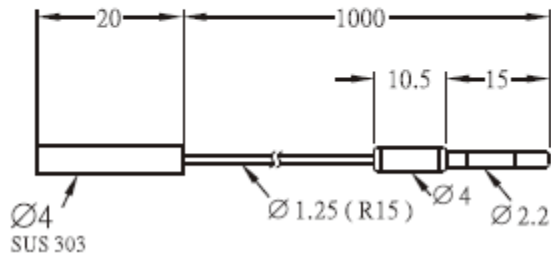
**RiKO**  
www.riko.com

M4 P0.7 Nickel plated brass Washer toothed lock Ø 8.3; Nuts width across flats 8 mm, thickness 2.3 mm

# FTJ-410-Q

Free cut

Ø 0.75 fiber optic core × 1

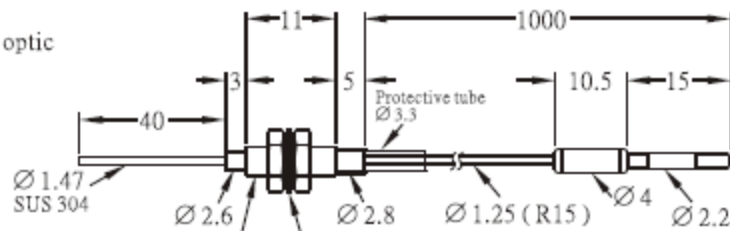


**RiKO**  
www.riko.com

# FTJ-410-M

Free cut

Ø 0.75 fiber optic core × 1

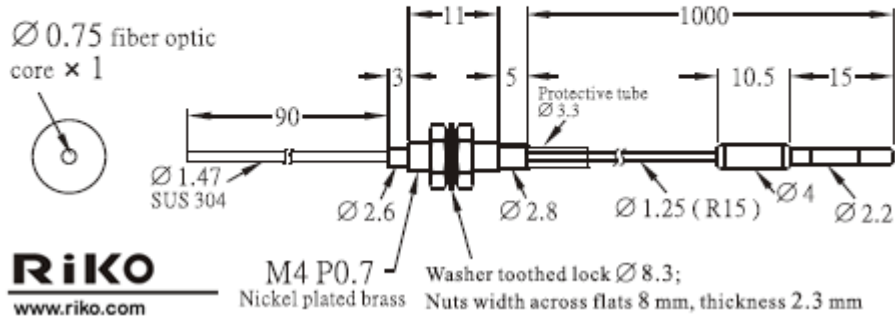


**RiKO**  
www.riko.com

M4 P0.7 Nickel plated brass Washer toothed lock Ø 8.3; Nuts width across flats 8 mm, thickness 2.3 mm

# FTJ-410-L

Free cut

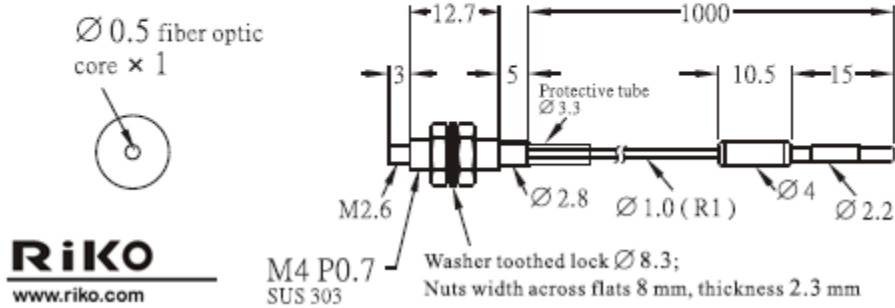


**RiKO**  
www.riko.com

# FTW-410

Minimum bend radius R1

Free cut

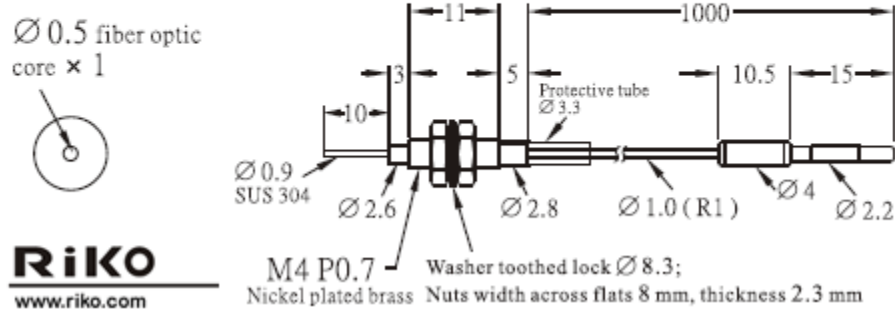


**RiKO**  
www.riko.com

# FTW-410-I

Minimum bend radius R1

Free cut



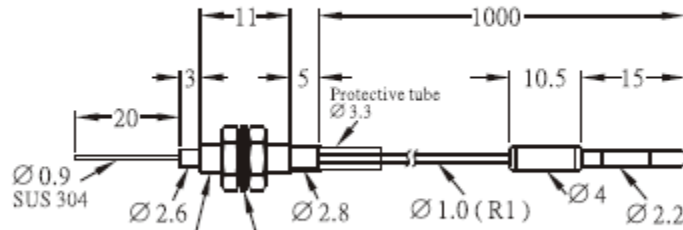
**RiKO**  
www.riko.com

# FTW-410-S

Minimum bend radius R1

Free cut

Ø 0.5 fiber optic core × 1



**RiKO**  
www.riko.com

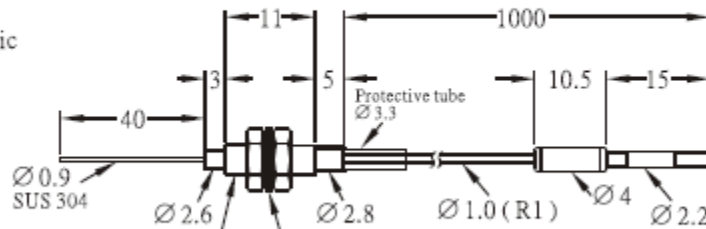
M4 P0.7 Nickel plated brass Washer toothed lock Ø 8.3; Nuts width across flats 8 mm, thickness 2.3 mm

# FTW-410-M

Minimum bend radius R1

Free cut

Ø 0.5 fiber optic core × 1



**RiKO**  
www.riko.com

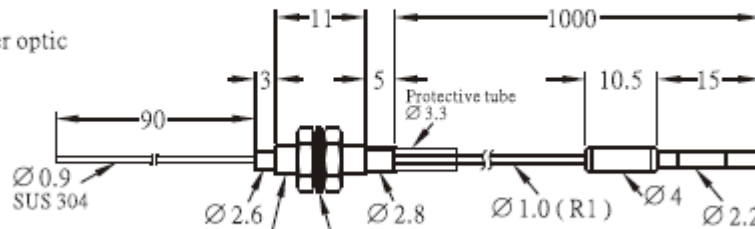
M4 P0.7 Nickel plated brass Washer toothed lock Ø 8.3; Nuts width across flats 8 mm, thickness 2.3 mm

# FTW-410-L

Minimum bend radius R1

Free cut

Ø 0.5 fiber optic core × 1



**RiKO**  
www.riko.com

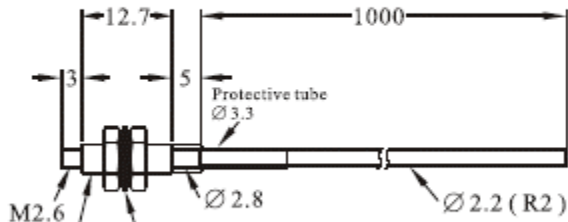
M4 P0.7 Nickel plated brass Washer toothed lock Ø 8.3; Nuts width across flats 8 mm, thickness 2.3 mm

# FTY-410

Minimum bend radius R2

Free cut

Ø 1.0 fiber optic core × 1



**RiKO**

www.riko.com

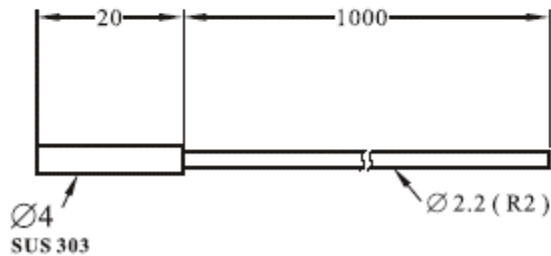
M4 P0.7 Washer toothed lock Ø 8.3;  
Nickel plated brass Nuts width across flats 8 mm, thickness 2.3 mm

# FTY-410-Q

Minimum bend radius R2

Free cut

Ø 1.0 fiber optic core × 1



**RiKO**

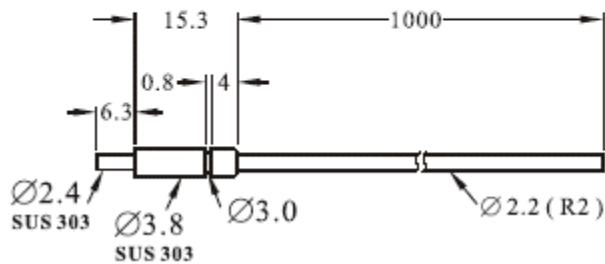
www.riko.com

# FTY-410-38G

Minimum bend radius R2

Free cut

Ø 1.0 fiber optic core × 1



**RiKO**

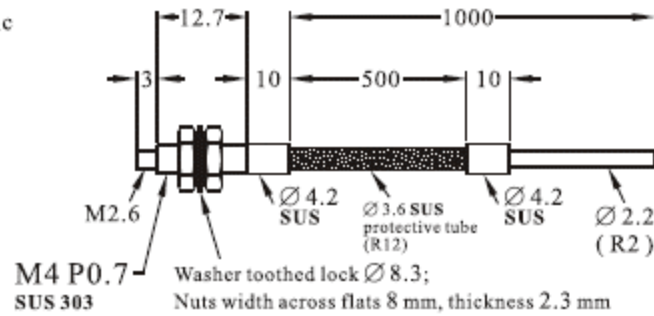
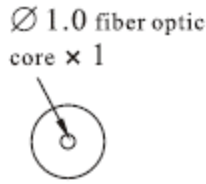
www.riko.com



# FTY-410-P

Minimum bend radius R2

Free cut

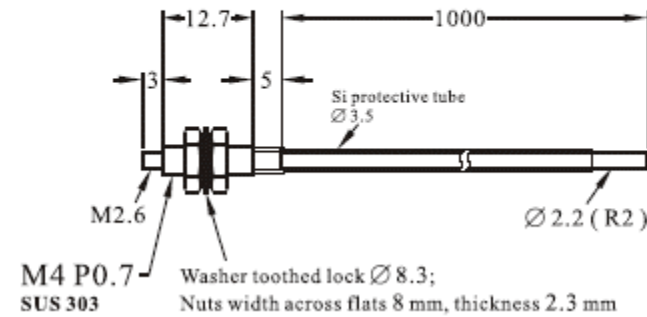
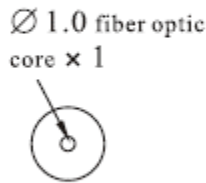


**RiKO**  
www.riko.com

# FTY-410-Si

Minimum bend radius R2

Free cut

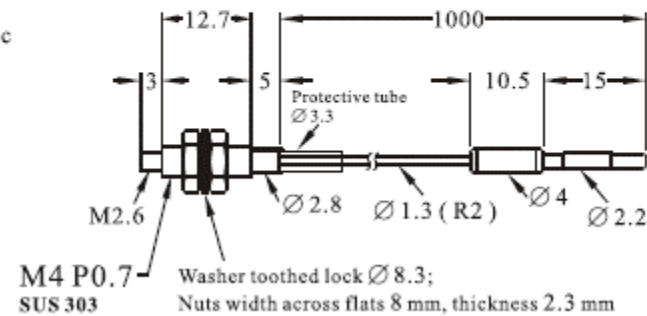
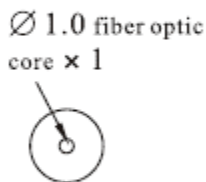


**RiKO**  
www.riko.com

# FTZ-410

Minimum bend radius R2

Free cut



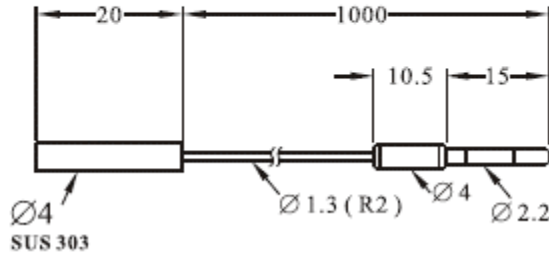
**RiKO**  
www.riko.com

# FTZ-410-Q

Minimum bend radius R2

Free cut

Ø 1.0 fiber optic  
core × 1



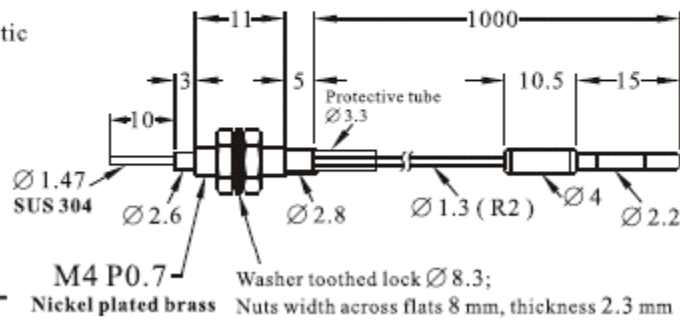
**RiKO**  
www.riko.com

# FTZ-410-I

Minimum bend radius R2

Free cut

Ø 1.0 fiber optic  
core × 1



**RiKO**  
www.riko.com

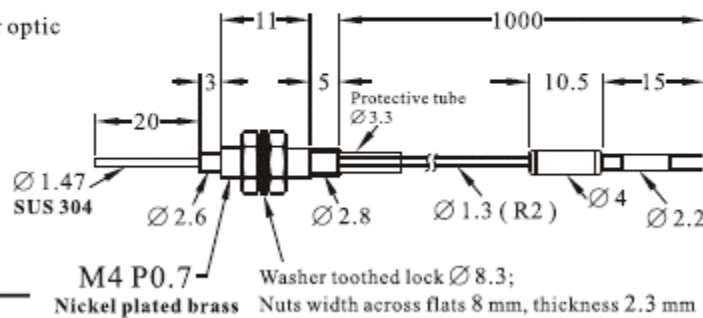
M4 P0.7 Nickel plated brass Washer toothed lock Ø 8.3;  
Nuts width across flats 8 mm, thickness 2.3 mm

# FTZ-410-S

Minimum bend radius R2

Free cut

Ø 1.0 fiber optic  
core × 1



**RiKO**  
www.riko.com

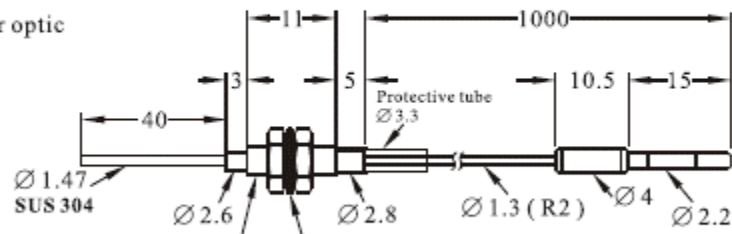
M4 P0.7 Nickel plated brass Washer toothed lock Ø 8.3;  
Nuts width across flats 8 mm, thickness 2.3 mm

# FTZ-410-M

Minimum bend radius R2

Free cut

Ø 1.0 fiber optic  
core × 1



**RiKO**  
www.riko.com

M4 P0.7  
Nickel plated brass  
Washer toothed lock Ø 8.3;  
Nuts width across flats 8 mm, thickness 2.3 mm