

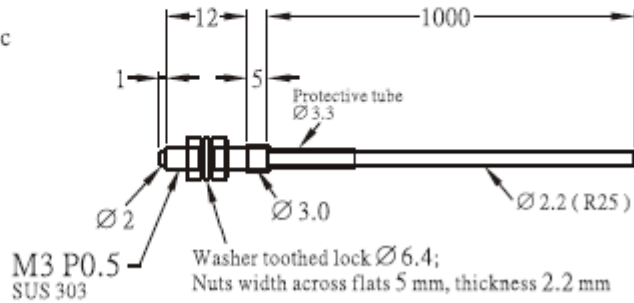
# FT-310

Free cut

Ø 1.0 fiber optic core × 1



**RiKO**  
www.riko.com



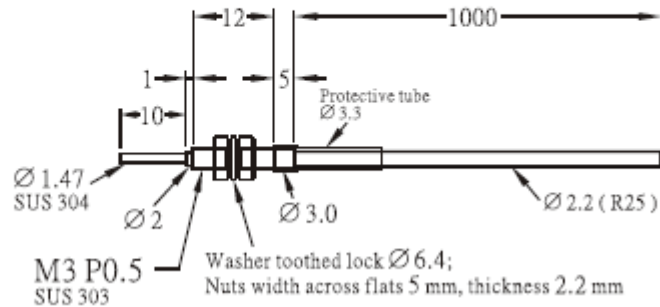
# FT-310-I

Free cut

Ø 1.0 fiber optic core × 1



**RiKO**  
www.riko.com



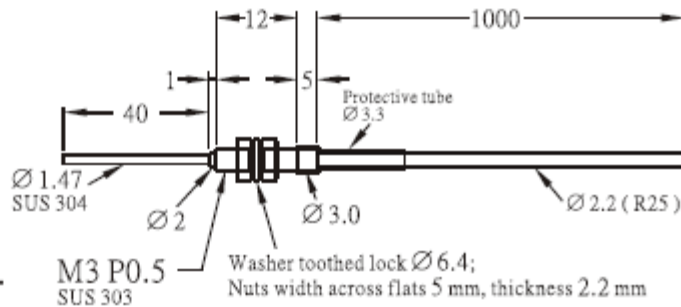
# FT-310-M

Free cut

Ø 1.0 fiber optic core × 1



**RiKO**  
www.riko.com



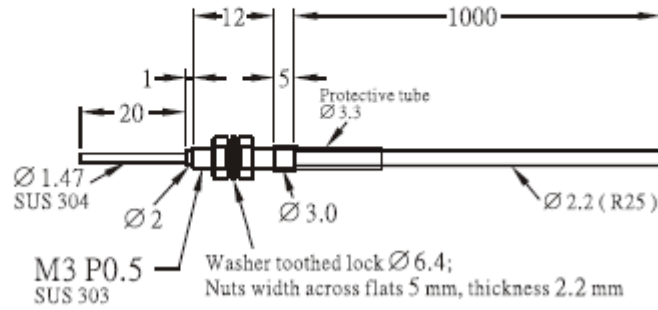
# FT-310-S

Free cut

Ø 1.0 fiber optic core × 1



**RiKO**  
www.riko.com



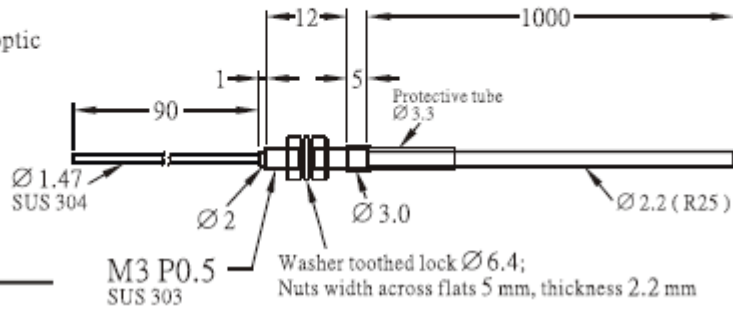
# FT-310-L

Free cut

Ø 1.0 fiber optic core × 1



**RiKO**  
www.riko.com



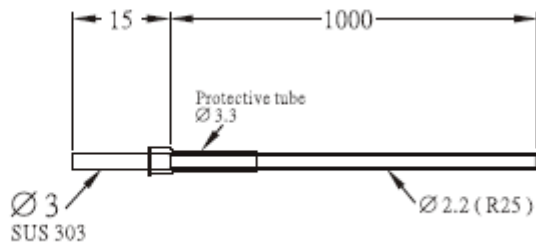
# FT-310-Q

Free cut

Ø 1.0 fiber optic core × 1



**RiKO**  
www.riko.com



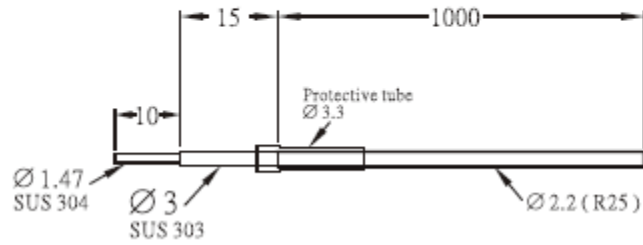
## FT-310-IQ

Free cut

Ø 1.0 fiber optic  
core × 1



**RiKO**  
www.riko.com



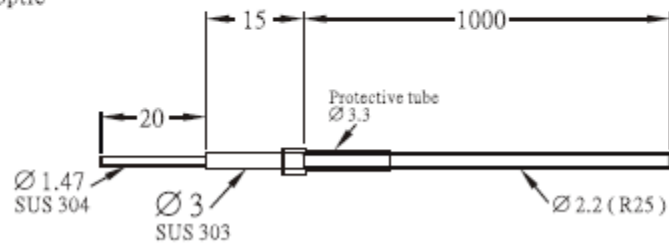
## FT-310-SQ

Free cut

Ø 1.0 fiber optic  
core × 1



**RiKO**  
www.riko.com



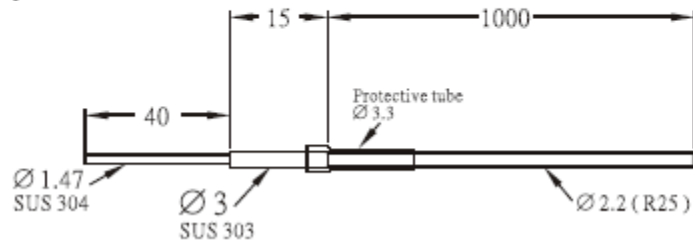
## FT-310-MQ

Free cut

Ø 1.0 fiber optic  
core × 1

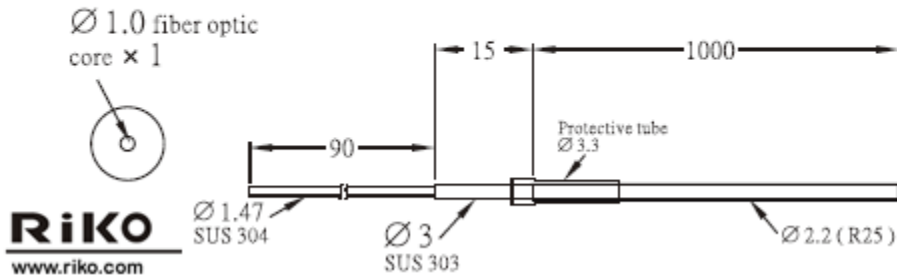


**RiKO**  
www.riko.com



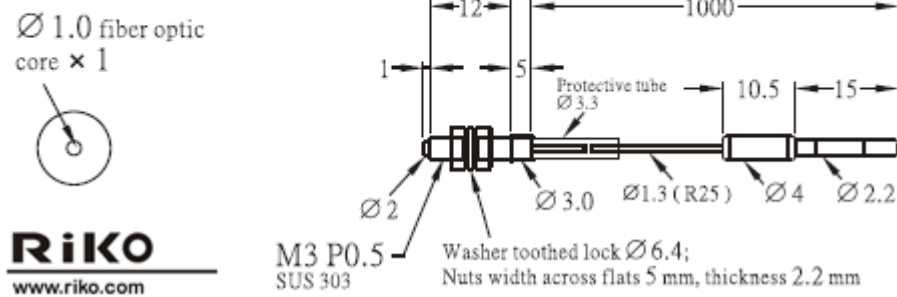
# FT-310-LQ

Free cut



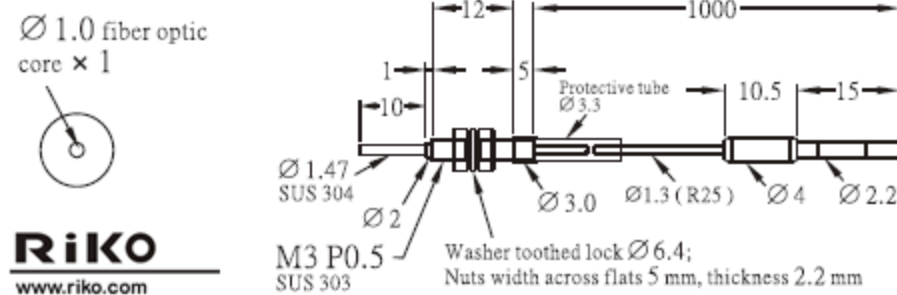
# FTB-310

Free cut



# FTB-310-I

Free cut



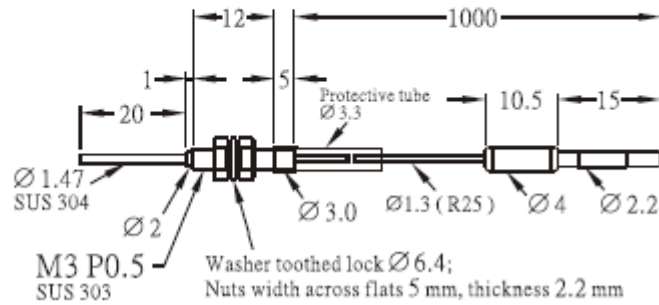
# FTB-310-S

Free cut

Ø 1.0 fiber optic core × 1



**RiKO**  
www.riko.com



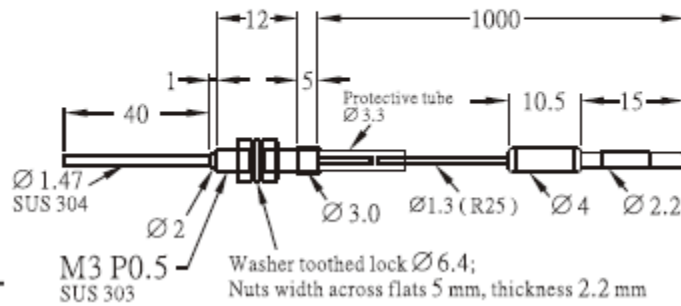
# FTB-310-M

Free cut

Ø 1.0 fiber optic core × 1



**RiKO**  
www.riko.com



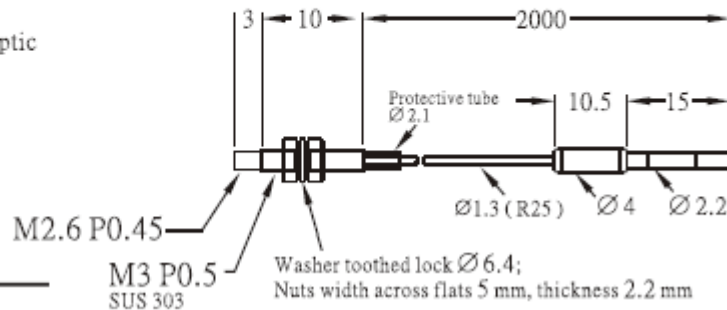
# FTB-320-T80

Free cut

Ø 1.0 fiber optic core × 1



**RiKO**  
www.riko.com



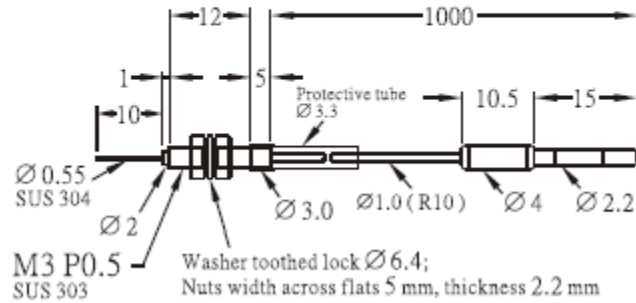
# FTE-310-I

Free cut

Ø 0.25 fiber optic core × 1



**RiKO**  
www.riko.com



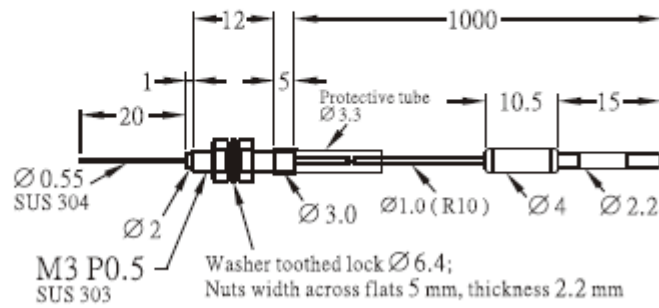
# FTE-310-S

Free cut

Ø 0.25 fiber optic core × 1



**RiKO**  
www.riko.com



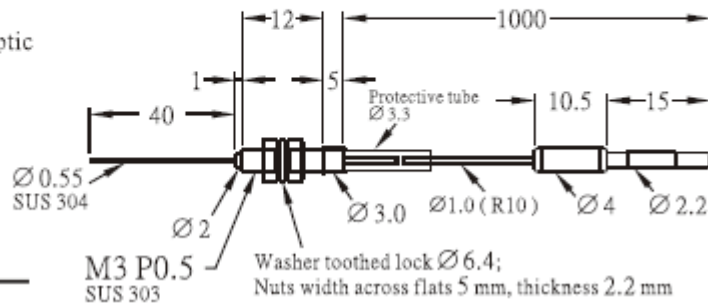
# FTE-310-M

Free cut

Ø 0.25 fiber optic core × 1



**RiKO**  
www.riko.com



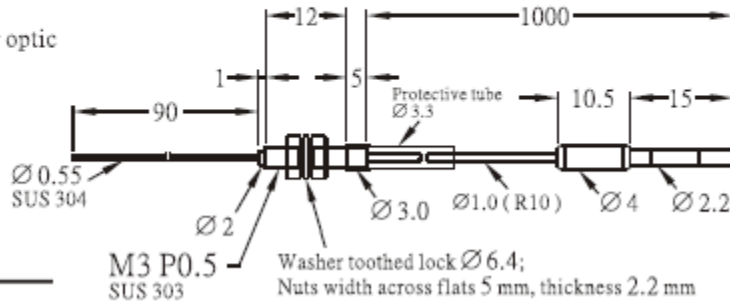
# FTE-310-L

Free cut

Ø 0.25 fiber optic  
core × 1



**RiKO**  
www.riko.com



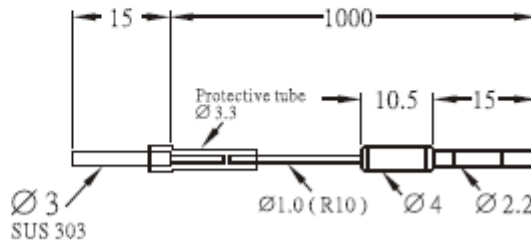
# FTE-310-Q

Free cut

Ø 0.25 fiber optic  
core × 1



**RiKO**  
www.riko.com



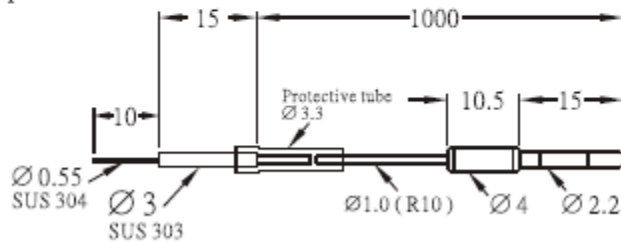
# FTE-310-IQ

Free cut

Ø 0.25 fiber optic  
core × 1



**RiKO**  
www.riko.com



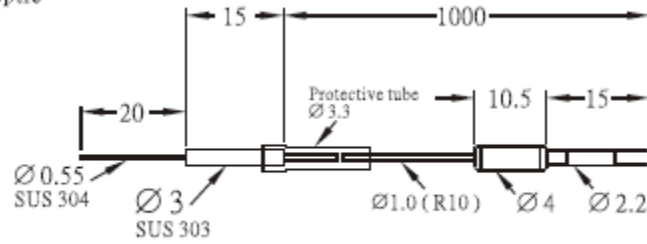
# FTE-310-SQ

Free cut

Ø 0.25 fiber optic  
core × 1



**RiKO**  
www.riko.com



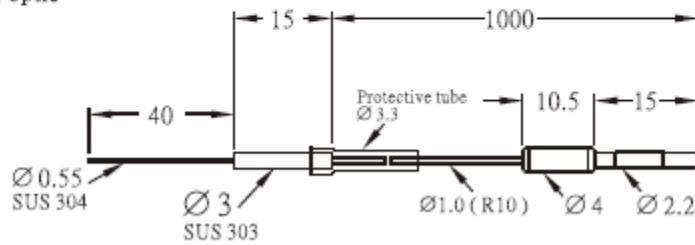
# FTE-310-MQ

Free cut

Ø 0.25 fiber optic  
core × 1



**RiKO**  
www.riko.com



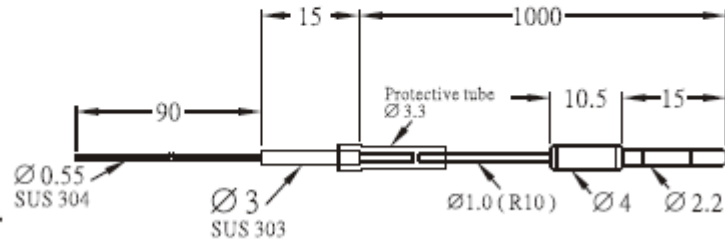
# FTE-310-LQ

Free cut

Ø 0.25 fiber optic  
core × 1



**RiKO**  
www.riko.com

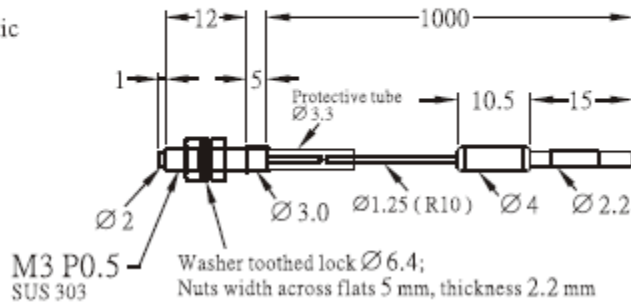




# FTA-310

Free cut

Ø 0.25 fiber optic  
core × 1

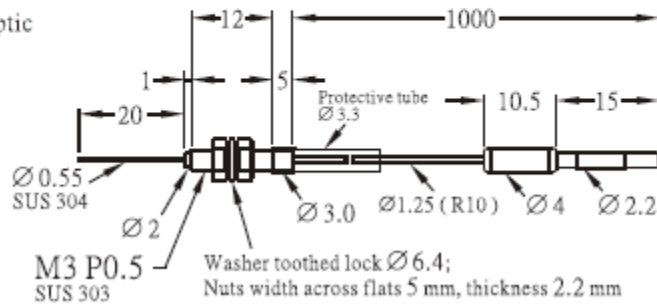


**RiKO**  
www.riko.com

# FTA-310-S

Free cut

Ø 0.25 fiber optic  
core × 1

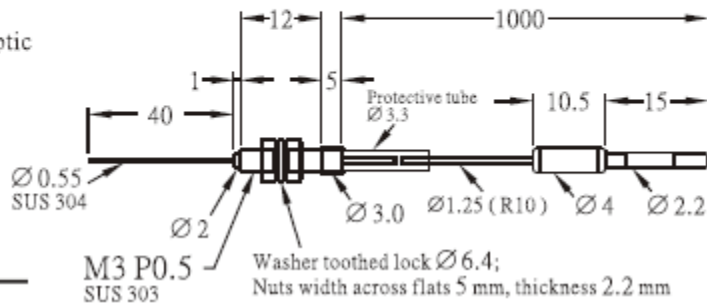


**RiKO**  
www.riko.com

# FTA-310-M

Free cut

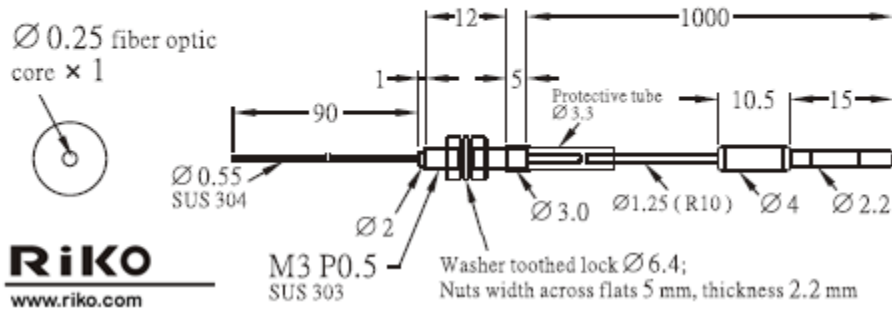
Ø 0.25 fiber optic  
core × 1



**RiKO**  
www.riko.com

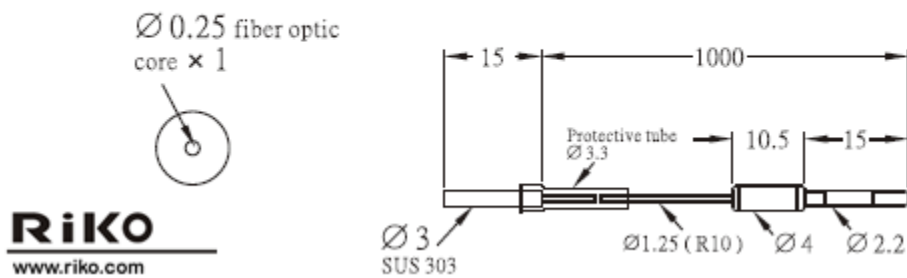
# FTA-310-L

Free cut



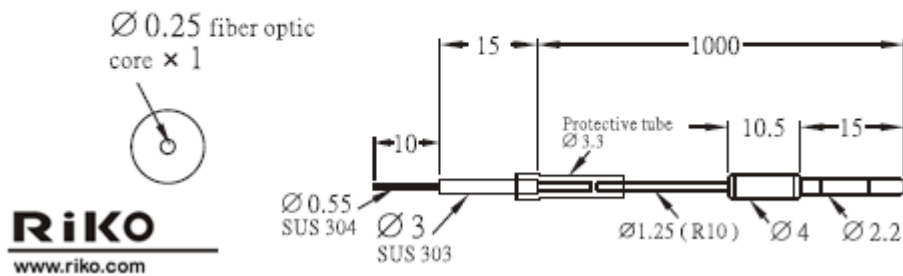
# FTA-310-Q

Free cut



# FTA-310-IQ

Free cut



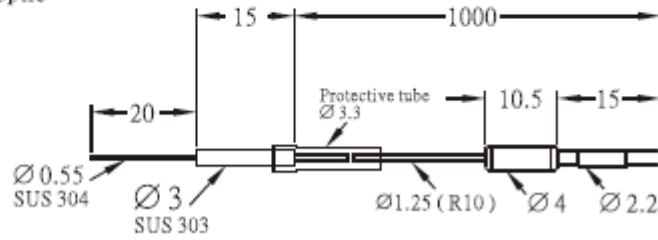
# FTA-310-SQ

Free cut

Ø 0.25 fiber optic  
core × 1



**RiKO**  
www.riko.com



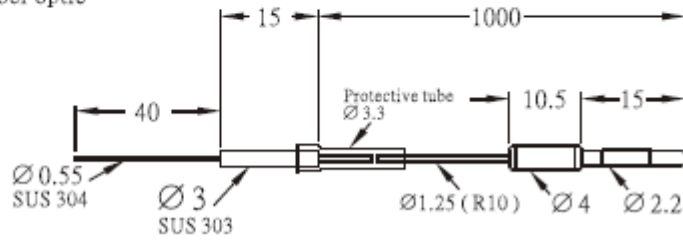
# FTA-310-MQ

Free cut

Ø 0.25 fiber optic  
core × 1



**RiKO**  
www.riko.com



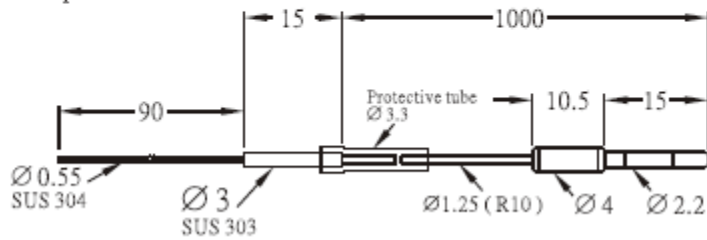
# FTA-310-LQ

Free cut

Ø 0.25 fiber optic  
core × 1



**RiKO**  
www.riko.com



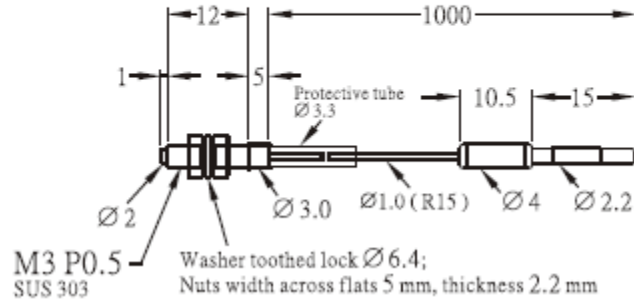
# FTS-310

Free cut

Ø 0.5 fiber optic core × 1



**RiKO**  
www.riko.com



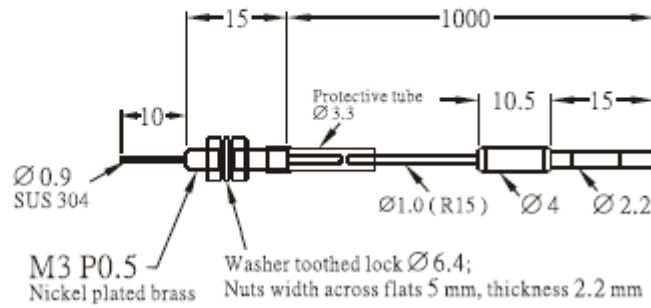
# FTS-310-I

Free cut

Ø 0.5 fiber optic core × 1



**RiKO**  
www.riko.com



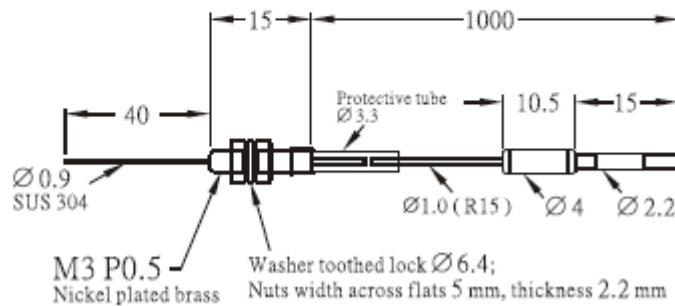
# FTS-310-M

Free cut

Ø 0.5 fiber optic core × 1



**RiKO**  
www.riko.com



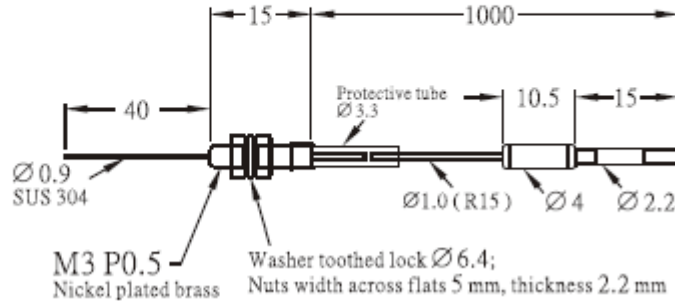
# FTS-310-M

Free cut

Ø 0.5 fiber optic core × 1



**RiKO**  
www.riko.com



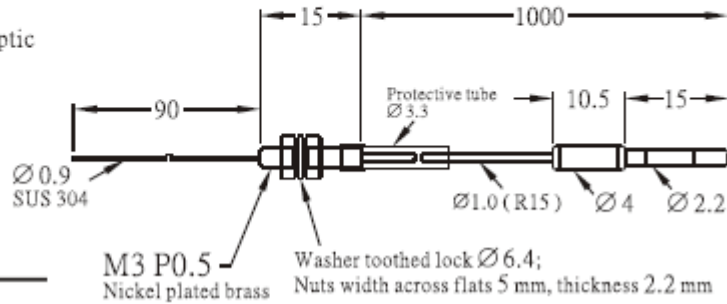
# FTS-310-L

Free cut

Ø 0.5 fiber optic core × 1



**RiKO**  
www.riko.com



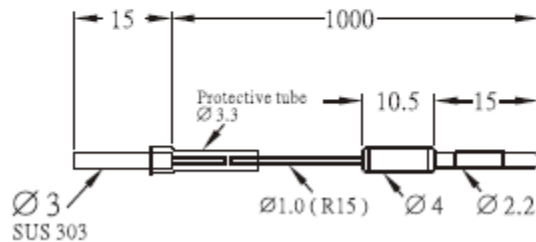
# FTS-310-Q

Free cut

Ø 0.5 fiber optic core × 1



**RiKO**  
www.riko.com



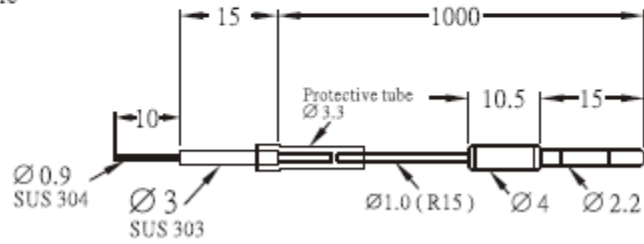
## FTS-310-IQ

Free cut

Ø 0.5 fiber optic  
core × 1



**RiKO**  
www.riko.com



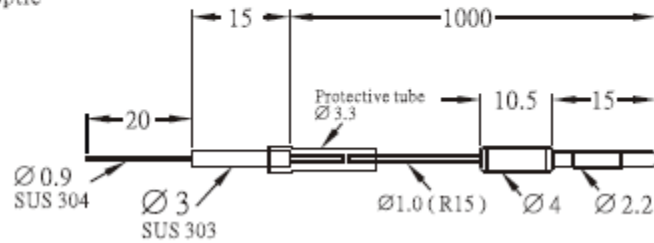
## FTS-310-SQ

Free cut

Ø 0.5 fiber optic  
core × 1



**RiKO**  
www.riko.com



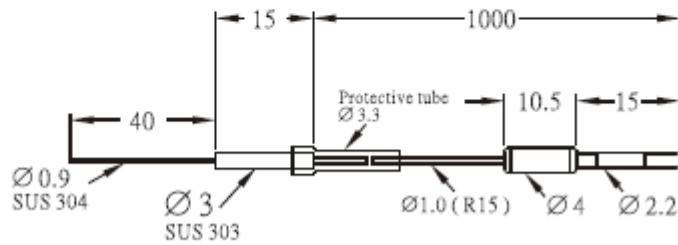
## FTS-310-MQ

Free cut

Ø 0.5 fiber optic  
core × 1



**RiKO**  
www.riko.com



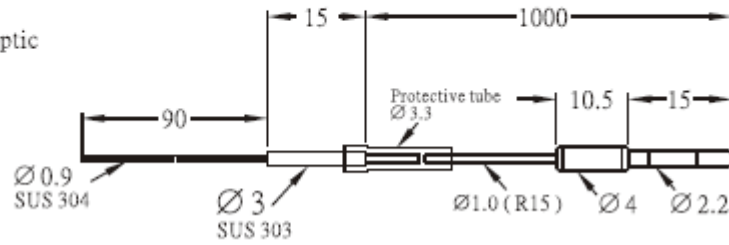
# FTS-310-LQ

Free cut

**RiKO**

www.riko.com

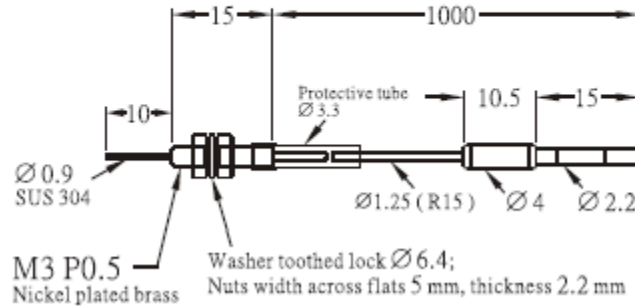
Ø 0.5 fiber optic core × 1



# FTD-310-I

Free cut

Ø 0.5 fiber optic core × 1

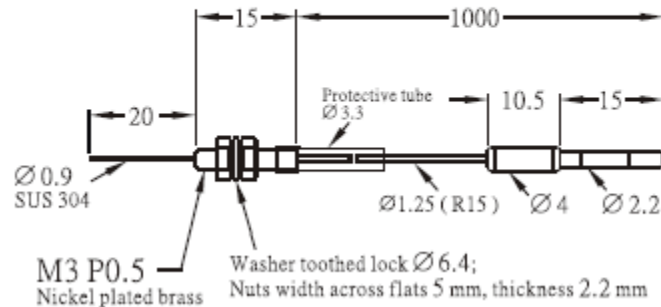


**RiKO**  
www.riko.com

# FTD-310-S

Free cut

Ø 0.5 fiber optic core × 1

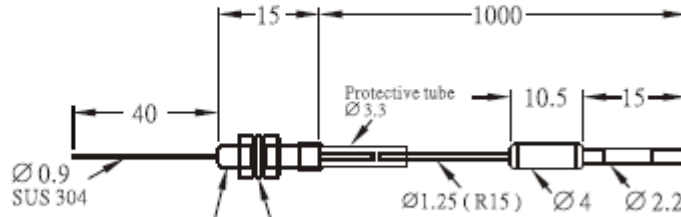


**RiKO**  
www.riko.com

# FTD-310-M

Free cut

Ø 0.5 fiber optic core × 1



**RiKO**  
www.riko.com

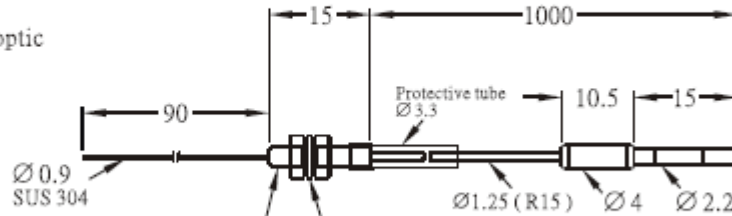
M3 P0.5  
Nickel plated brass

Washer toothed lock Ø 6.4;  
Nuts width across flats 5 mm, thickness 2.2 mm

# FTD-310-L

Free cut

Ø 0.5 fiber optic core × 1



**RiKO**  
www.riko.com

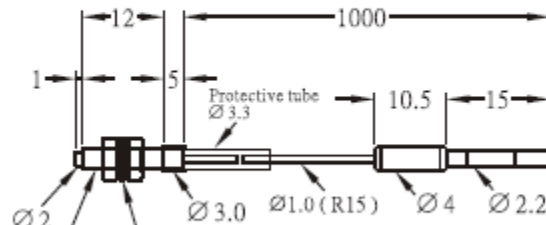
M3 P0.5  
Nickel plated brass

Washer toothed lock Ø 6.4;  
Nuts width across flats 5 mm, thickness 2.2 mm

# FTC4-310

Free cut

Ø 0.25 fiber optic core × 4



**RiKO**  
www.riko.com

M3 P0.5  
SUS 303

Washer toothed lock Ø 6.4;  
Nuts width across flats 5 mm, thickness 2.2 mm



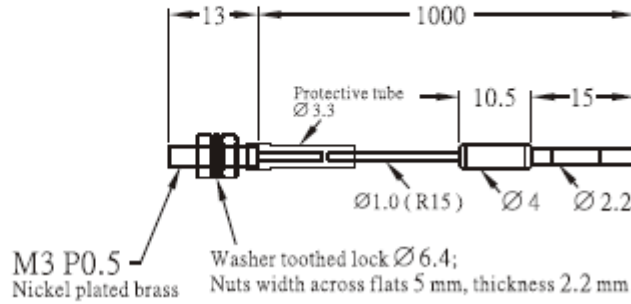
# FTC4-310-79

Free cut

Ø 0.25 fiber optic core × 4



**RiKO**  
www.riko.com



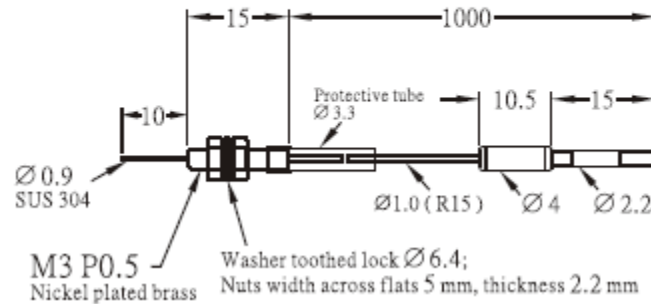
# FTC4-310-I

Free cut

Ø 0.25 fiber optic core × 4



**RiKO**  
www.riko.com



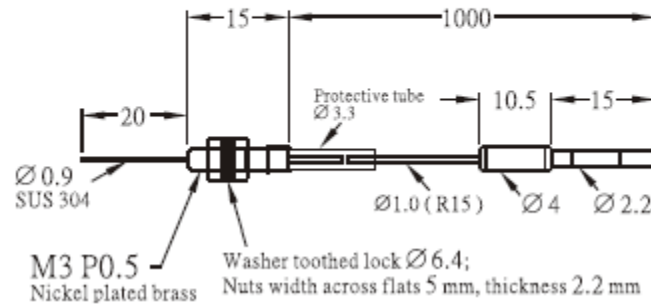
# FTC4-310-S

Free cut

Ø 0.25 fiber optic core × 4



**RiKO**  
www.riko.com



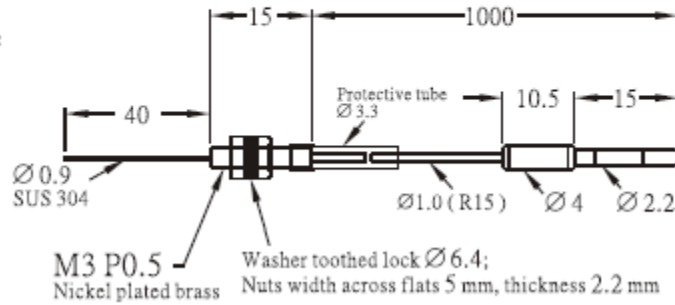
# FTC4-310-M

Free cut

Ø 0.25 fiber optic core × 4



**RiKO**  
www.riko.com



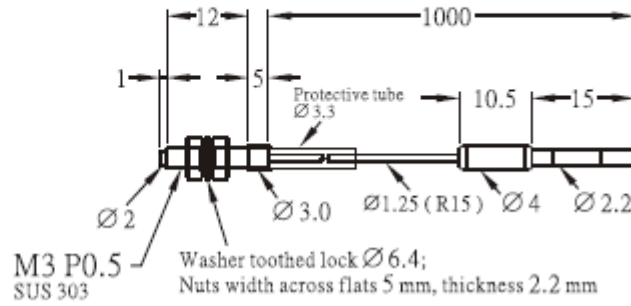
# FTC9-310

Free cut

Ø 0.25 fiber optic core × 9



**RiKO**  
www.riko.com



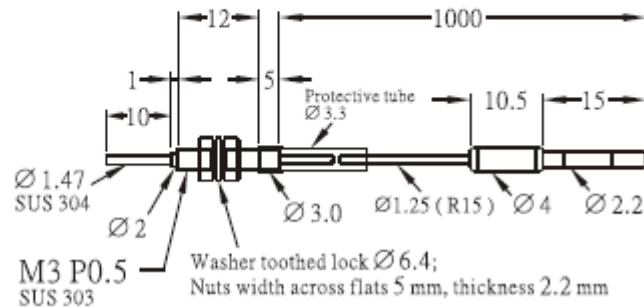
# FTC9-310-I

Free cut

Ø 0.25 fiber optic core × 9



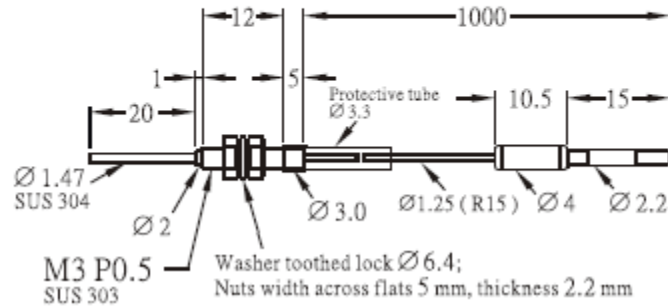
**RiKO**  
www.riko.com



# FTC9-310-S

Free cut

Ø 0.25 fiber optic core × 9

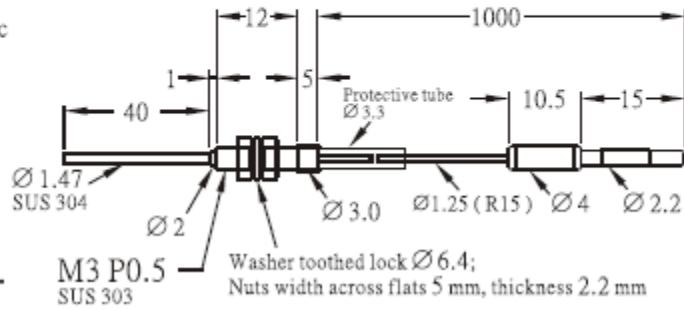


**RiKO**  
www.riko.com

# FTC9-310-M

Free cut

Ø 0.25 fiber optic core × 9

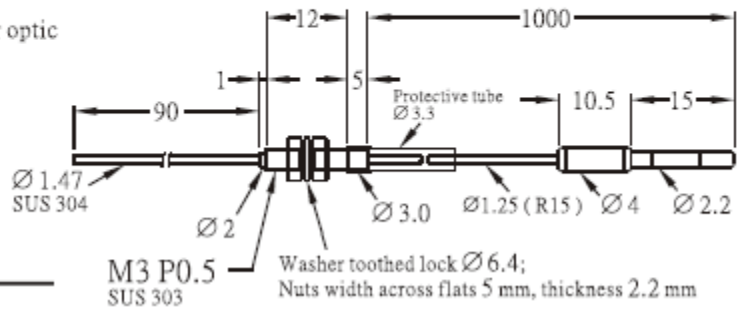


**RiKO**  
www.riko.com

# FTC9-310-L

Free cut

Ø 0.25 fiber optic core × 9



**RiKO**  
www.riko.com

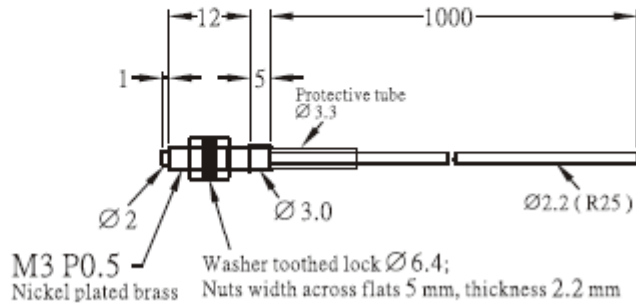
# FTC16-310

Free cut

Ø 0.25 fiber optic  
core × 16



**RiKO**  
www.riko.com



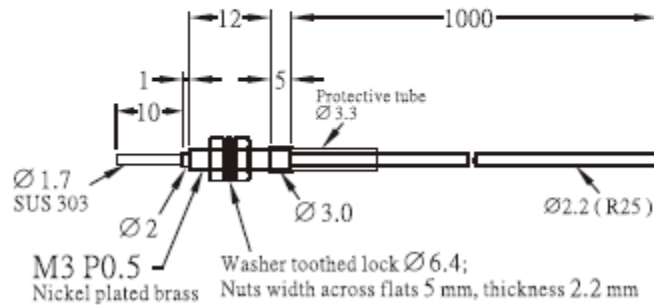
# FTC16-310-I

Free cut

Ø 0.25 fiber optic  
core × 16



**RiKO**  
www.riko.com



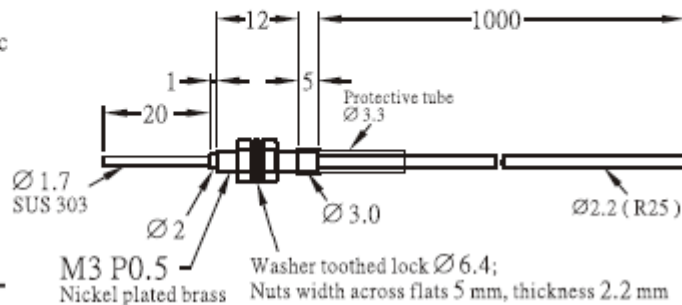
# FTC16-310-S

Free cut

Ø 0.25 fiber optic  
core × 16



**RiKO**  
www.riko.com



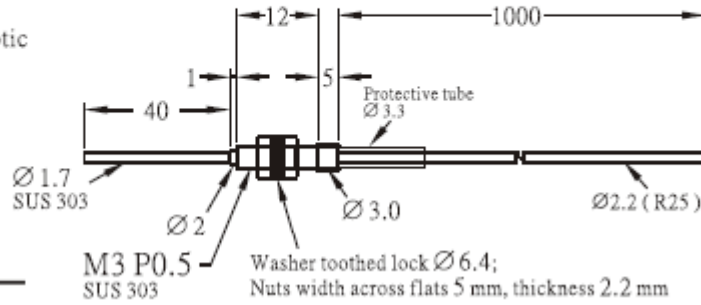
# FTC16-310-M

Free cut

Ø 0.25 fiber optic core × 16



**RiKO**  
www.riko.com



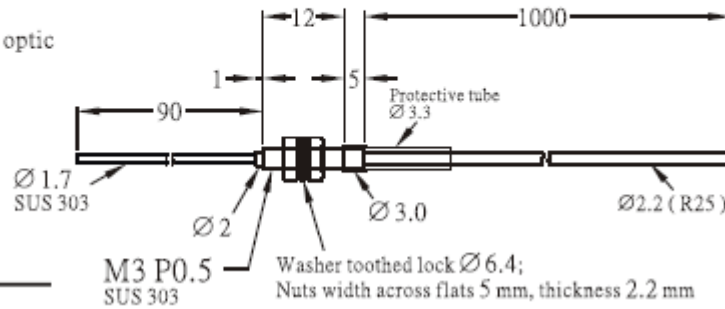
# FTC16-310-L

Free cut

Ø 0.25 fiber optic core × 16



**RiKO**  
www.riko.com



# FTW-310

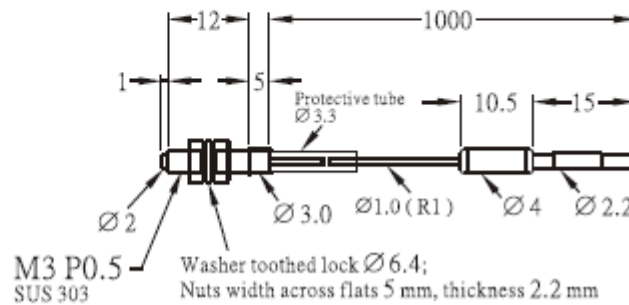
Minimum bend radius R1

Free cut

Ø 0.5 fiber optic core × 1



**RiKO**  
www.riko.com



# FTW-310-I

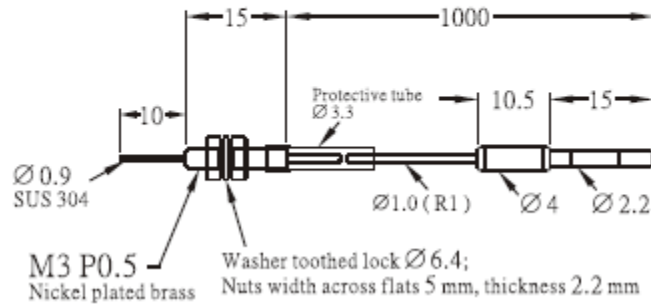
Minimum bend radius R1

Free cut

Ø 0.5 fiber optic core × 1



**RiKO**  
www.riko.com



# FTW-310-S

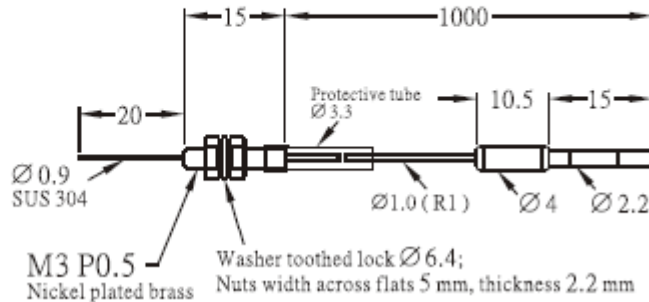
Minimum bend radius R1

Free cut

Ø 0.5 fiber optic core × 1



**RiKO**  
www.riko.com



# FTW-310-M

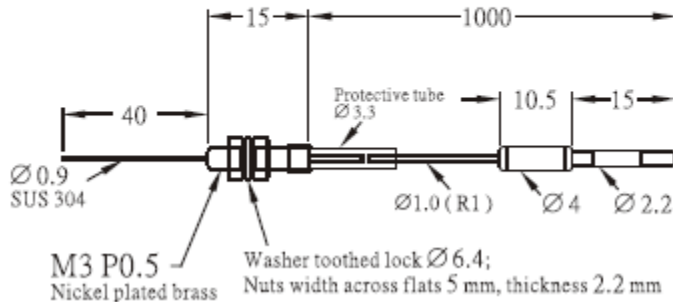
Minimum bend radius R1

Free cut

Ø 0.5 fiber optic core × 1



**RiKO**  
www.riko.com



# FTW-310-L

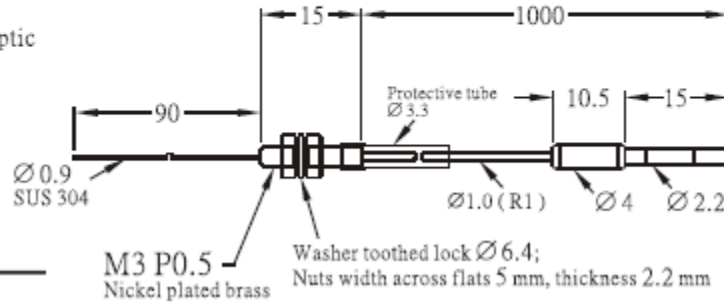
Minimum bend radius R1

Free cut

Ø 0.5 fiber optic core × 1



**RiKO**  
www.riko.com



# FTW-310-Q

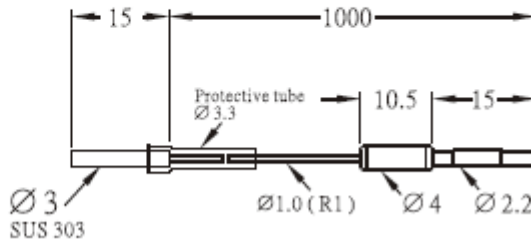
Minimum bend radius R1

Free cut

Ø 0.5 fiber optic core × 1



**RiKO**  
www.riko.com



# FTW-310-IQ

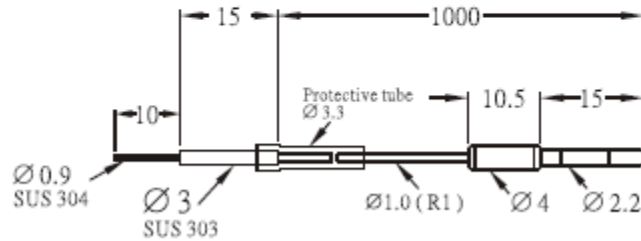
Minimum bend radius R1

Free cut

Ø 0.5 fiber optic core × 1



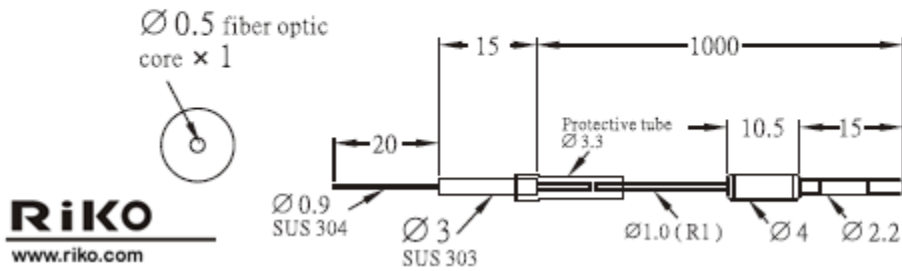
**RiKO**  
www.riko.com



# FTW-310-SQ

Minimum bend radius R1

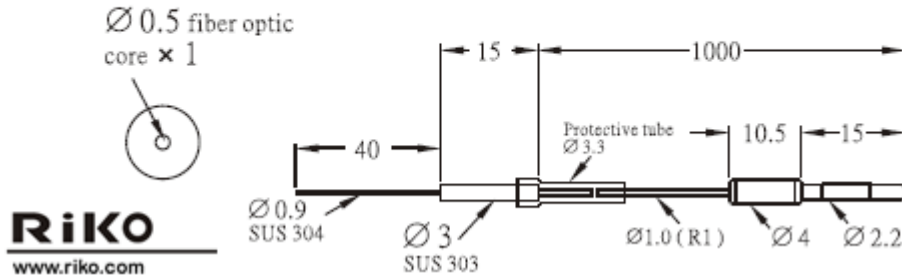
Free cut



# FTW-310-MQ

Minimum bend radius R1

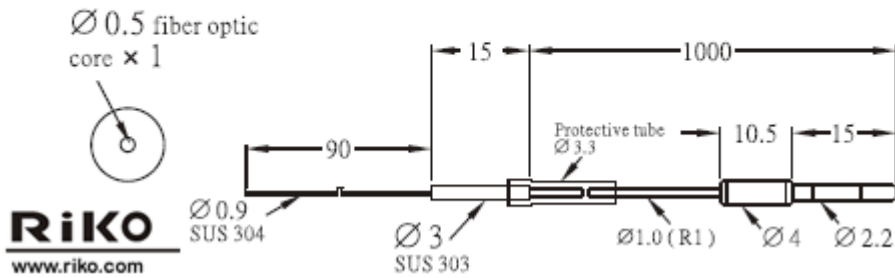
Free cut



# FTW-310-LQ

Minimum bend radius R1

Free cut





# FTY-310

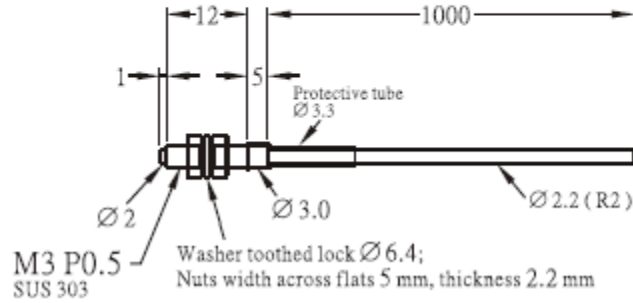
Minimum bend radius R2

Free cut

Ø 1.0 fiber optic core × 1



**RIKO**  
www.riko.com



# FTY-310-I

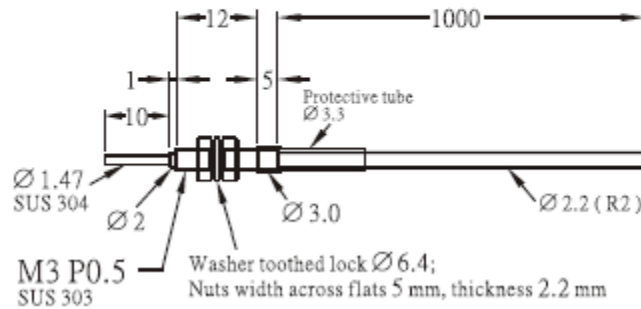
Minimum bend radius R2

Free cut

Ø 1.0 fiber optic core × 1



**RIKO**  
www.riko.com



# FTY-310-S

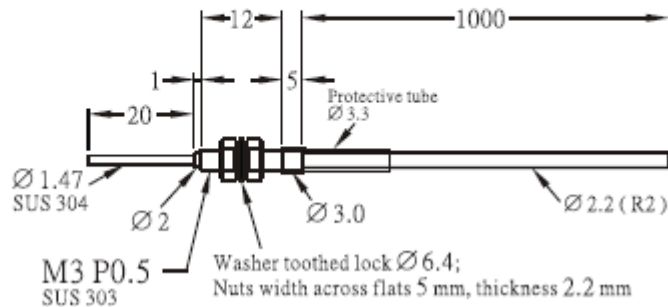
Minimum bend radius R2

Free cut

Ø 1.0 fiber optic core × 1



**RIKO**  
www.riko.com



# FTY-310-M

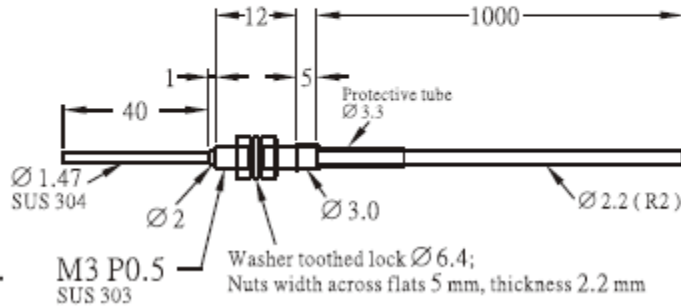
Minimum bend radius R2

Free cut

Ø 1.0 fiber optic core × 1



**RIKO**  
www.riko.com



# FTY-310-L

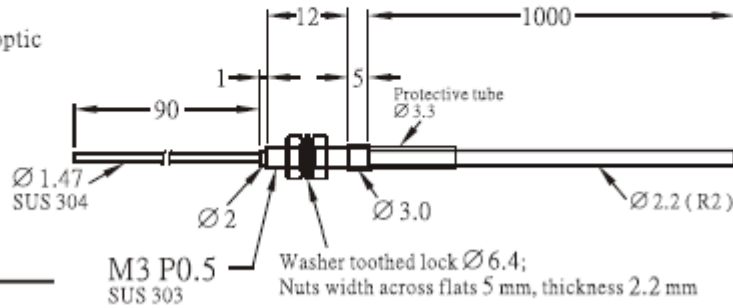
Minimum bend radius R2

Free cut

Ø 1.0 fiber optic core × 1



**RIKO**  
www.riko.com



# FTY-310-Q

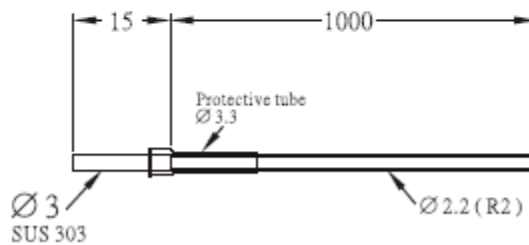
Minimum bend radius R2

Free cut

Ø 1.0 fiber optic core × 1



**RIKO**  
www.riko.com



# FTY-310-IQ

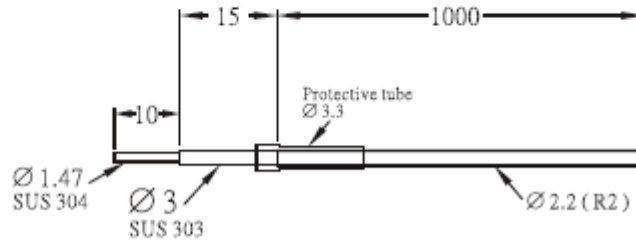
Minimum bend radius R2

Free cut

Ø 1.0 fiber optic core × 1



**RiKO**  
www.riko.com



# FTY-310-SQ

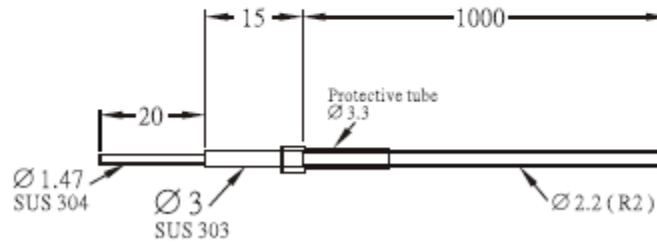
Minimum bend radius R2

Free cut

Ø 1.0 fiber optic core × 1



**RiKO**  
www.riko.com



# FTY-310-MQ

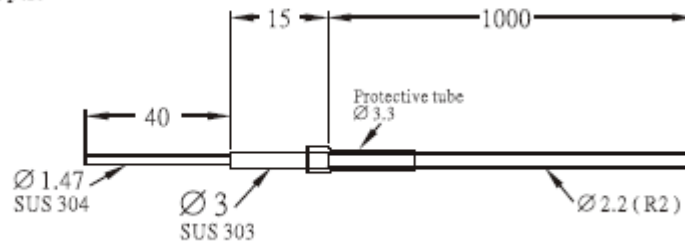
Minimum bend radius R2

Free cut

Ø 1.0 fiber optic core × 1



**RiKO**  
www.riko.com



# FTY-310-LQ

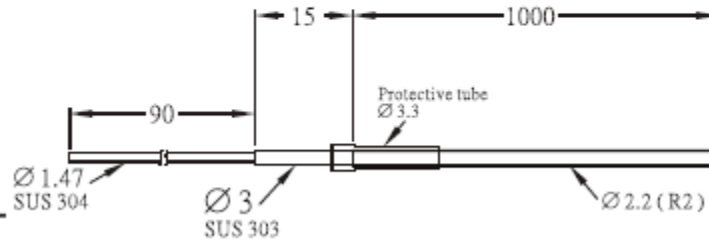
Minimum bend radius R2

Free cut

Ø 1.0 fiber optic core × 1



**RiKO**  
www.riko.com



# FTZ-310

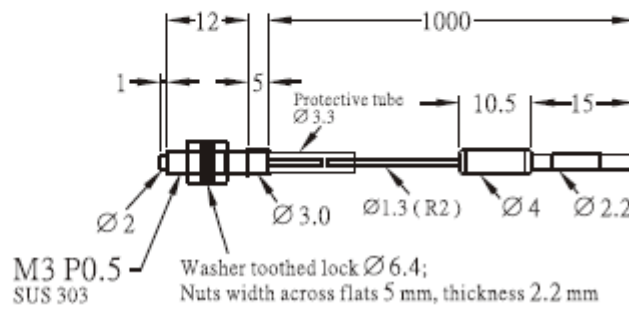
Minimum bend radius R2

Free cut

Ø 1.0 fiber optic core × 1



**RiKO**  
www.riko.com



# FTZ-310-I

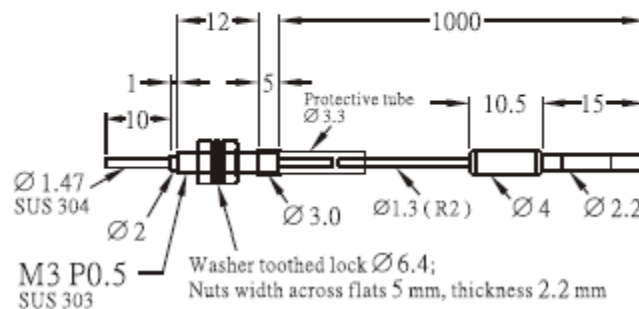
Minimum bend radius R2

Free cut

Ø 1.0 fiber optic core × 1



**RiKO**  
www.riko.com



# FTZ-310-M

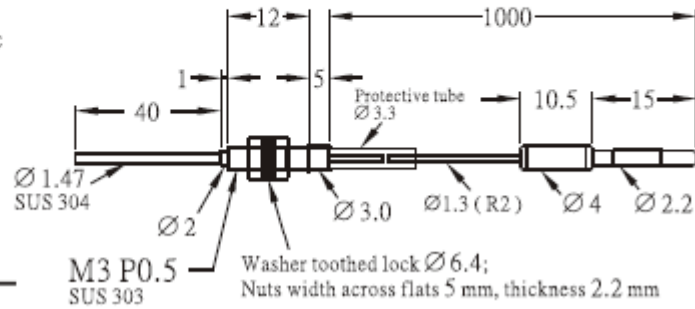
Minimum bend radius R2

Free cut

Ø 1.0 fiber optic core × 1



**RiKO**  
www.riko.com



# FTZ-310-L

Minimum bend radius R2

Free cut

Ø 1.0 fiber optic core × 1



**RiKO**  
www.riko.com

