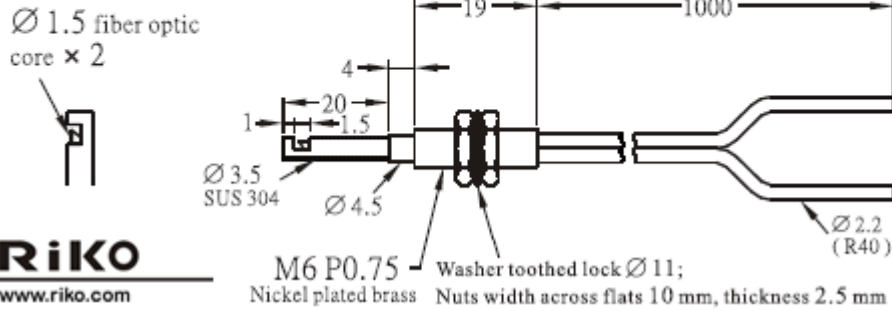


FRX-610-SD

Side View fiber

Free cut

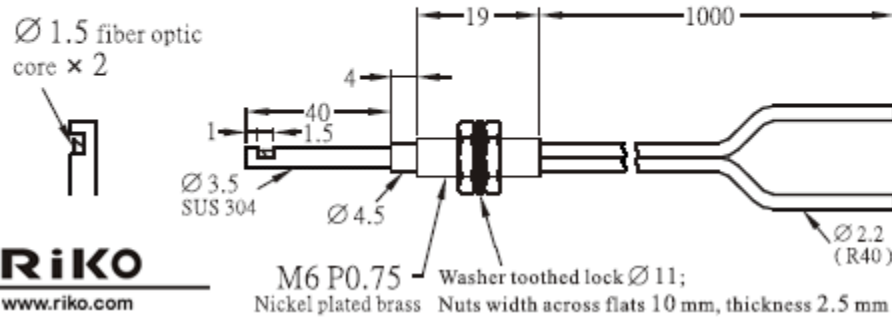


RiKO
www.riko.com

FRX-610-MD

Side View fiber

Free cut



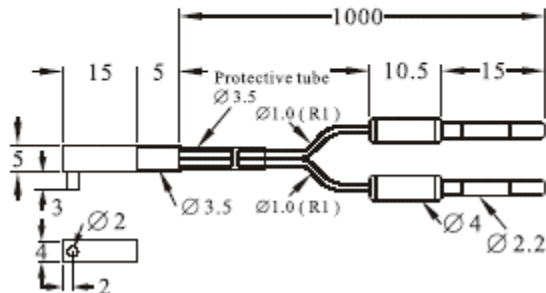
RiKO
www.riko.com

FRW-11

Minimum bend radius R1

Free cut

$\text{Ø } 0.5$ fiber optic core $\times 2$



RiKO
www.riko.com