

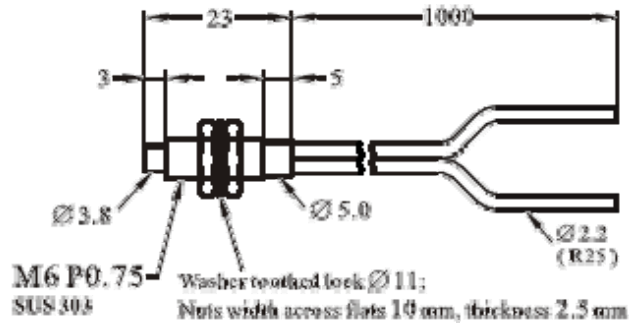
FR-610

Free cut

Ø 1.0 fiber optic
core × 2



RiKO
www.riko.com



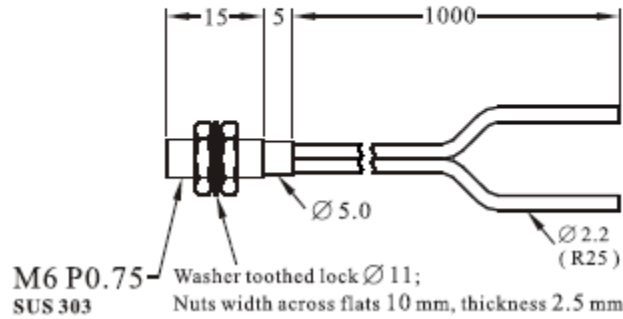
FR-610-F

Free cut

Ø 1.0 fiber optic
core × 2



RiKO
www.riko.com



FR-610-6F

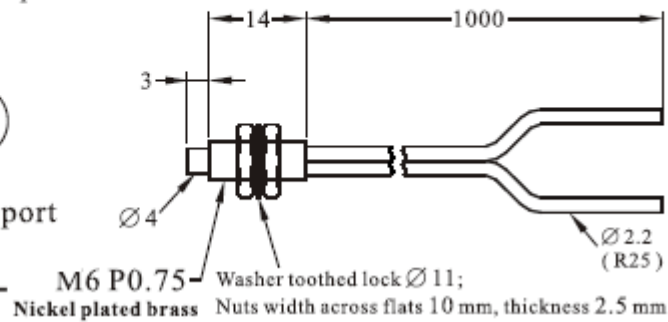
Free cut

Ø 1.0 fiber optic
core × 2



Fixed support

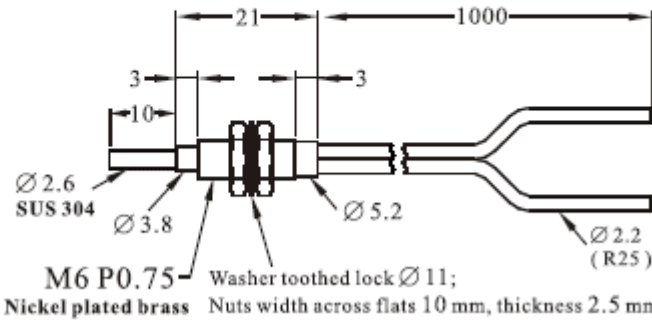
RiKO
www.riko.com



FR-610-I

Free cut

Ø 1.0 fiber optic
core × 2

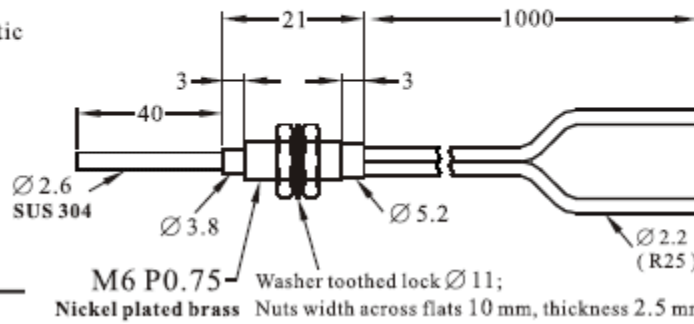


RiKO
www.riko.com

FR-610-M

Free cut

Ø 1.0 fiber optic
core × 2

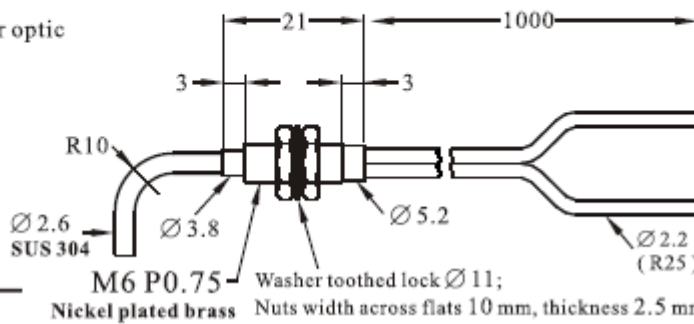


RiKO
www.riko.com

FR-610-MU

Free cut

Ø 1.0 fiber optic
core × 2

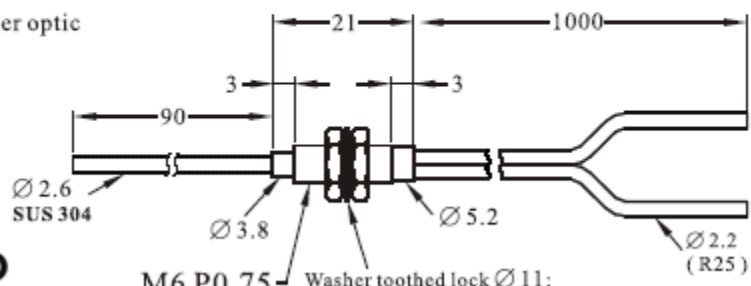


RiKO
www.riko.com

FR-610-L

Free cut

Ø 1.0 fiber optic
core × 2



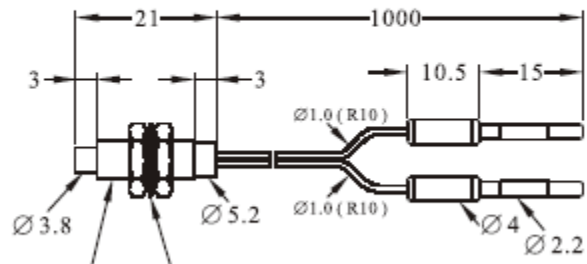
RiKO
www.riko.com

M6 P0.75 Washer toothed lock Ø 11;
Nickel plated brass Nuts width across flats 10 mm, thickness 2.5 mm

FRE-610

Free cut

Ø 0.25 fiber optic
core × 2



RiKO
www.riko.com

M6 P0.75 Washer toothed lock Ø 11;
Nickel plated brass Nuts width across flats 10 mm, thickness 2.5 mm

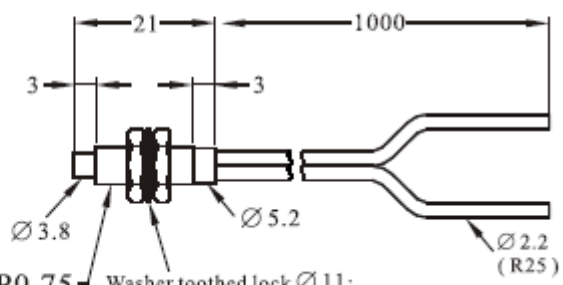
FRCC-610

Free cut

Ø 0.25 fiber optic
core × 16 (emitter)



Ø 0.25 fiber optic
core × 16 (receiver)



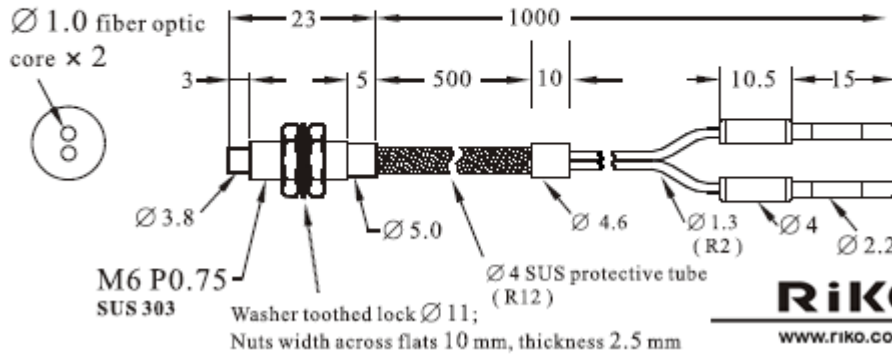
RiKO
www.riko.com

M6 P0.75 Washer toothed lock Ø 11;
Nickel plated brass Nuts width across flats 10 mm, thickness 2.5 mm

FRZ-610-P

Minimum bend radius R2

Free cut

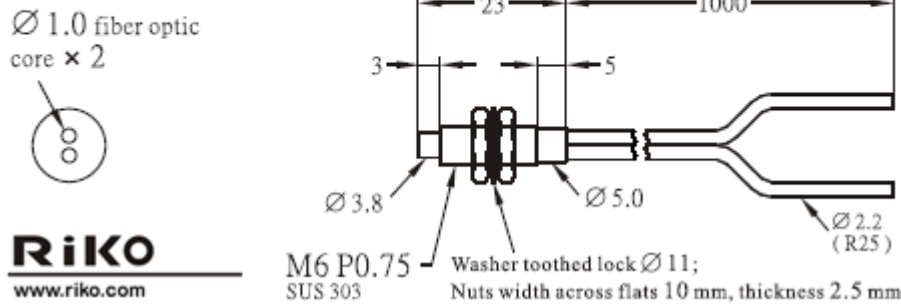


RiKO
www.riko.com

FRH-610

Heat Resistant 115°C

Free cut

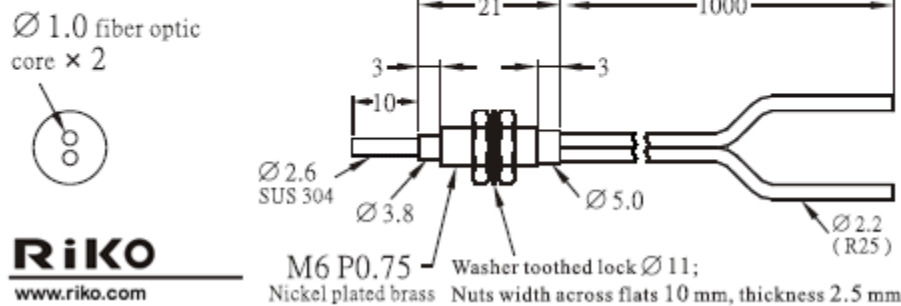


RiKO
www.riko.com

FRH-610-I

Heat Resistant 115°C

Free cut

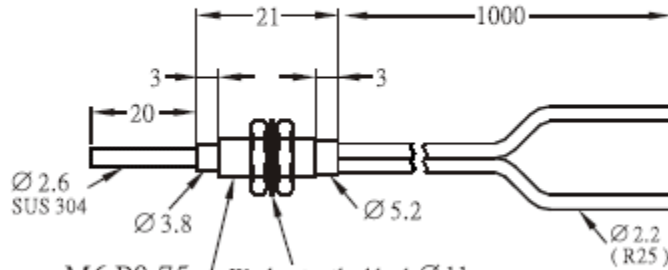
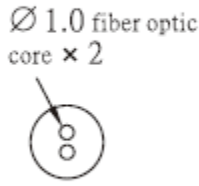


RiKO
www.riko.com

FRH-610-S

Heat Resistant 115°C

Free cut



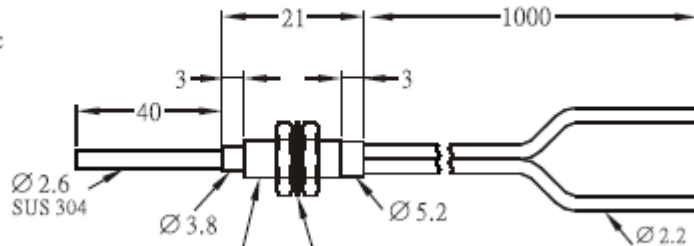
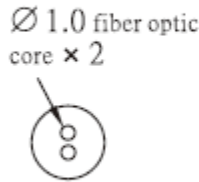
RiKO
www.riko.com

M6 P0.75 Nickel plated brass Washer toothed lock Ø 11;
Nuts width across flats 10 mm, thickness 2.5 mm

FRH-610-M

Heat Resistant 115°C

Free cut



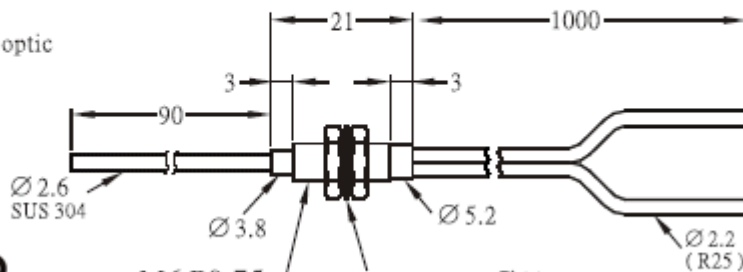
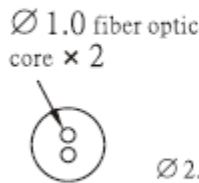
RiKO
www.riko.com

M6 P0.75 Nickel plated brass Washer toothed lock Ø 11;
Nuts width across flats 10 mm, thickness 2.5 mm

FRH-610-L

Heat Resistant 115°C

Free cut



RiKO
www.riko.com

M6 P0.75 Nickel plated brass Washer toothed lock Ø 11;
Nuts width across flats 10 mm, thickness 2.5 mm

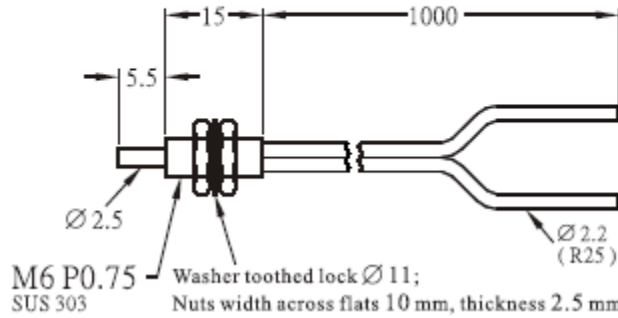
FRC-610

Free cut

Ø 1.0 fiber optic core × 1 (emitter)



Ø 0.25 fiber optic core × 16 (receiver)



RiKO
www.riko.com

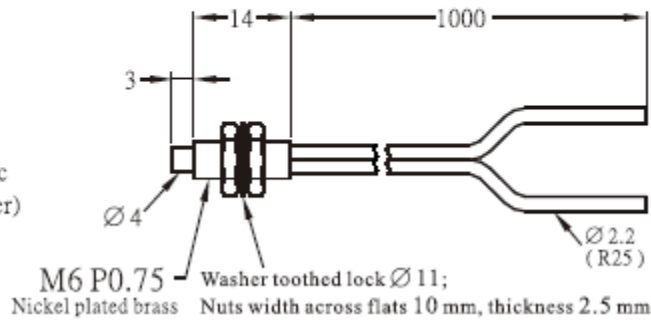
FRC-610-25

Free cut

Ø 1.0 fiber optic core × 1 (emitter)



Ø 0.25 fiber optic core × 16 (receiver)



RiKO
www.riko.com

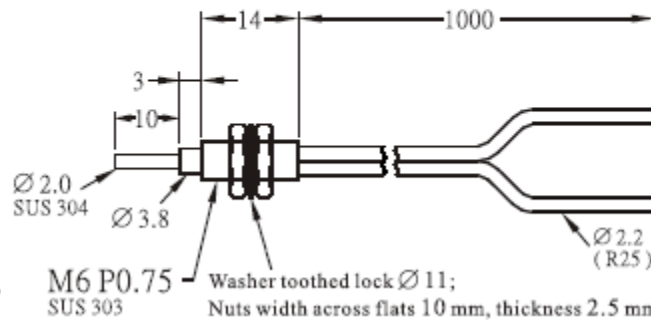
FRC-610-I

Free cut

Ø 1.0 fiber optic core × 1 (emitter)



Ø 0.25 fiber optic core × 16 (receiver)



RiKO
www.riko.com

FRC-610-S

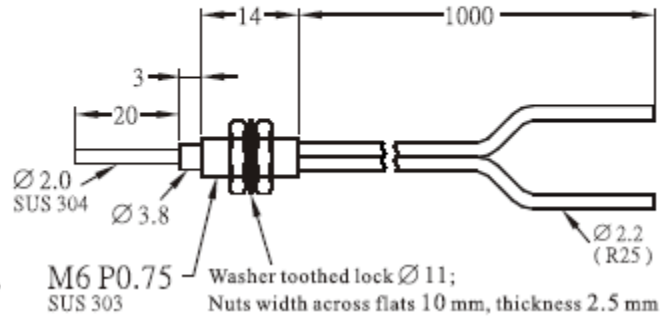
Free cut

Ø 1.0 fiber optic core × 1 (emitter)



Ø 0.25 fiber optic core × 16 (receiver)

RiKO
www.riko.com



FRC-610-MU

Free cut

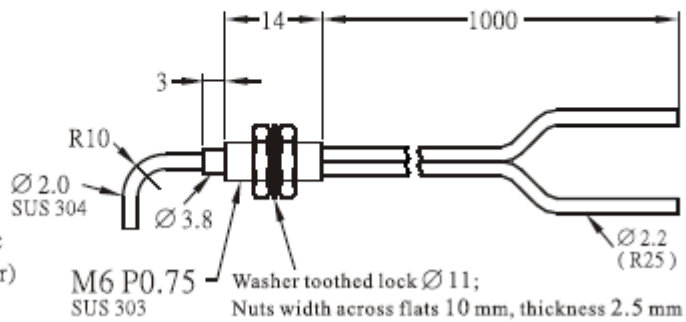
RiKO
www.riko.com

Ø 1.0 fiber optic core × 1 (emitter)



Ø 0.25 fiber optic core × 16 (receiver)

RiKO
www.riko.com



FRC-610-L

Free cut

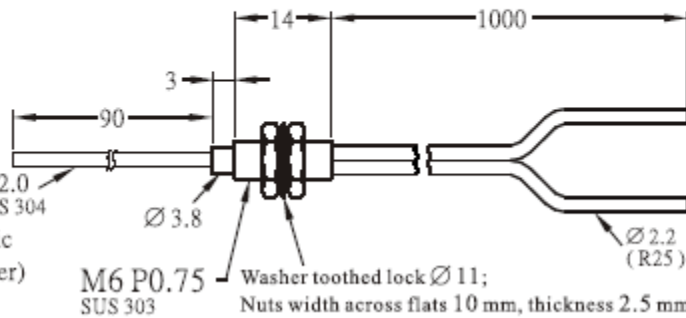
RiKO
www.riko.com

Ø 1.0 fiber optic core × 1 (emitter)



Ø 0.25 fiber optic core × 16 (receiver)

RiKO
www.riko.com



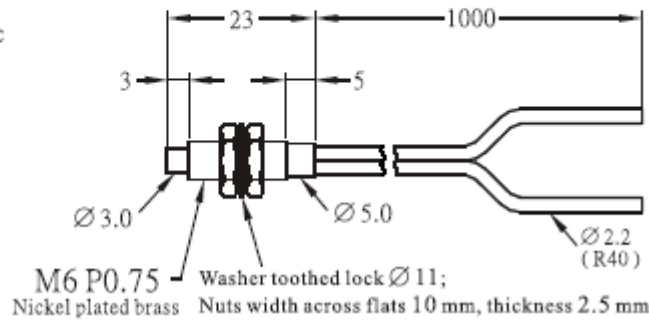
FRX-610

Free cut

Ø 1.5 fiber optic
core × 2



RiKO
www.riko.com



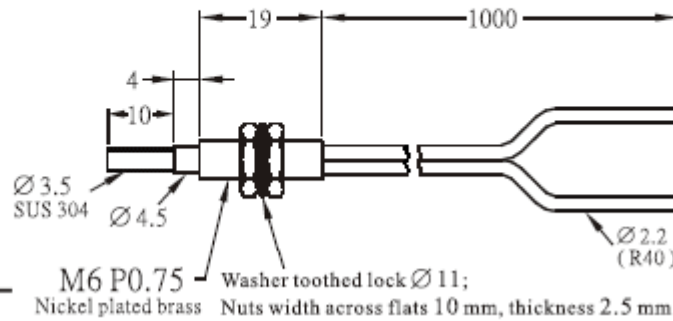
FRX-610-I

Free cut

Ø 1.5 fiber optic
core × 2



RiKO
www.riko.com



FRY-610

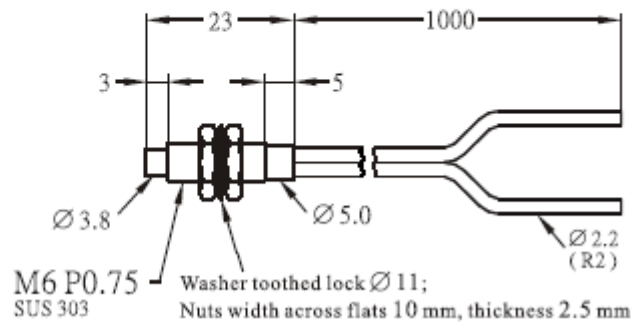
Minimum bend radius R2

Free cut

Ø 1.0 fiber optic
core × 2



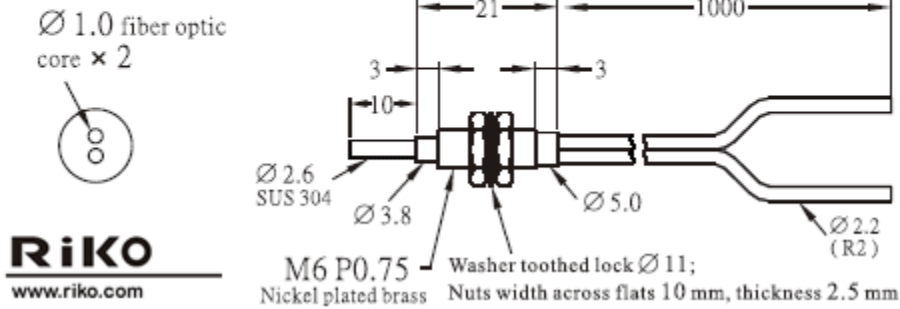
RiKO
www.riko.com



FRY-610-I

Minimum bend radius R2

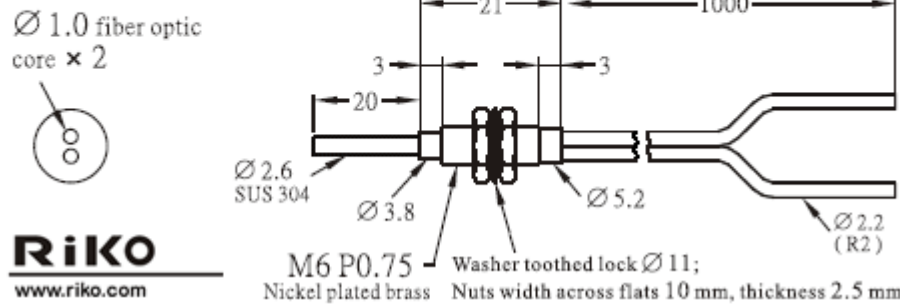
Free cut



FRY-610-S

Minimum bend radius R2

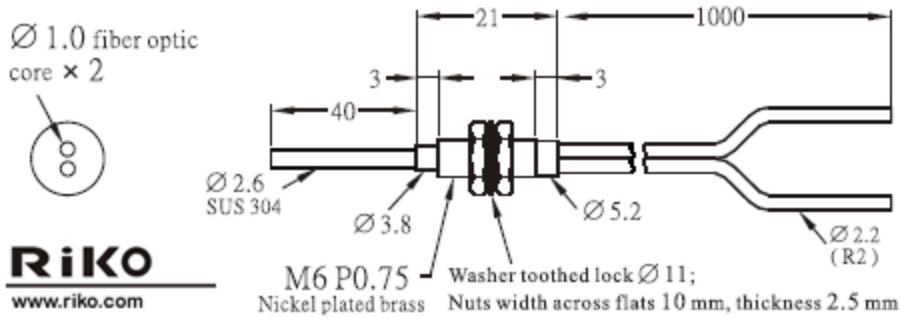
Free cut



FRY-610-M

Minimum bend radius R2

Free cut



FRY-610-L

Minimum bend radius R2

Free cut

