

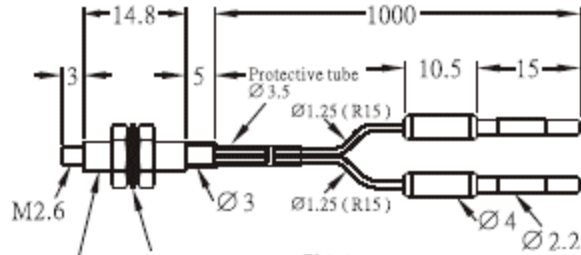
# FRC-410

Free cut

Ø 0.5 fiber optic core × 1 (emitter)



Ø 0.25 fiber optic core × 9 (receiver)



**RiKO**  
www.riko.com

M4 P0.7 Nickel plated brass  
Washer toothed lock Ø 8.3;  
Nuts width across flats 8 mm, thickness 2.3 mm

# FRC-410-I

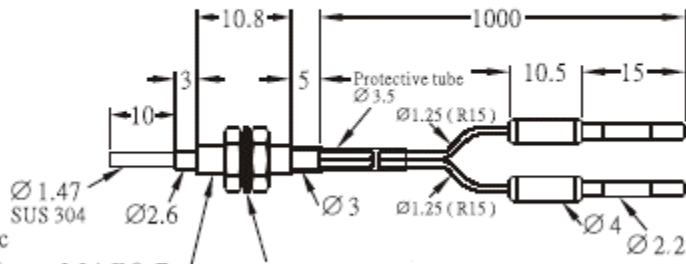
Free cut

**RiKO**  
www.riko.com

Ø 0.5 fiber optic core × 1 (emitter)



Ø 0.25 fiber optic core × 9 (receiver)



M4 P0.7 Nickel plated brass  
Washer toothed lock Ø 8.3;  
Nuts width across flats 8 mm, thickness 2.3 mm

# FRC-410-S

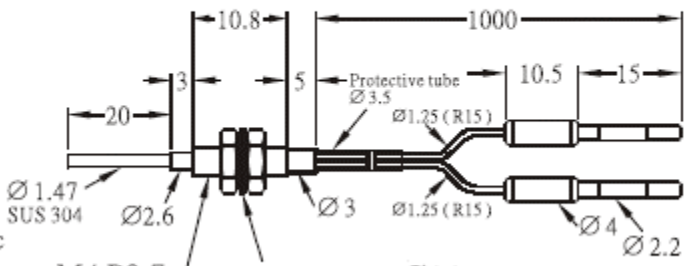
Free cut

**RiKO**  
www.riko.com

Ø 0.5 fiber optic core × 1 (emitter)



Ø 0.25 fiber optic core × 9 (receiver)



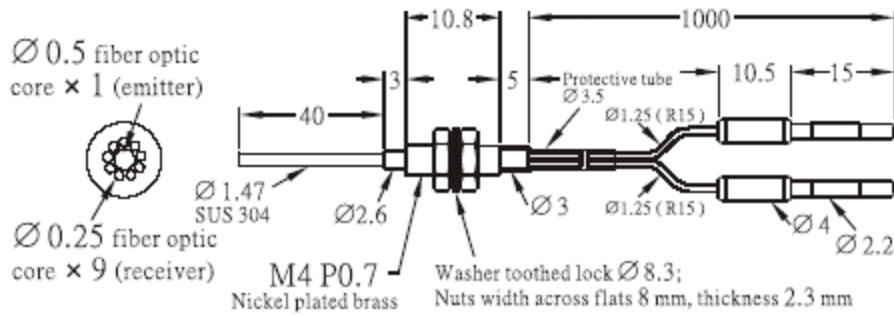
M4 P0.7 Nickel plated brass  
Washer toothed lock Ø 8.3;  
Nuts width across flats 8 mm, thickness 2.3 mm

# FRC-410-M

Free cut

**RiKO**

www.riko.com

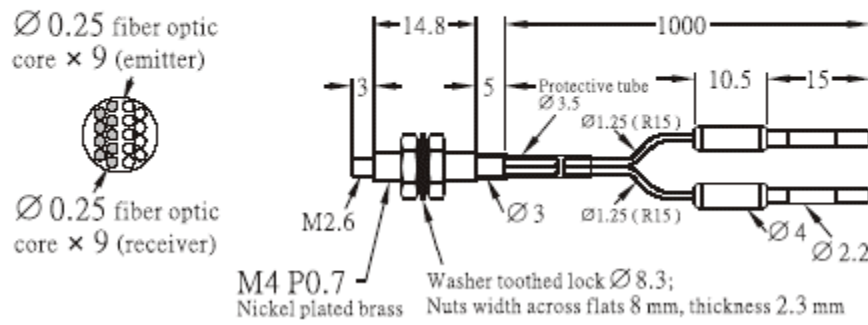


# FRCC-410

Free cut

**RiKO**

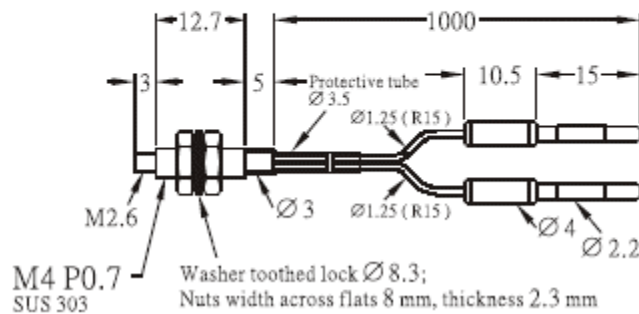
www.riko.com



# FRJ-410

Free cut

$\varnothing$  0.75 fiber optic core  $\times$  2



**RiKO**  
www.riko.com

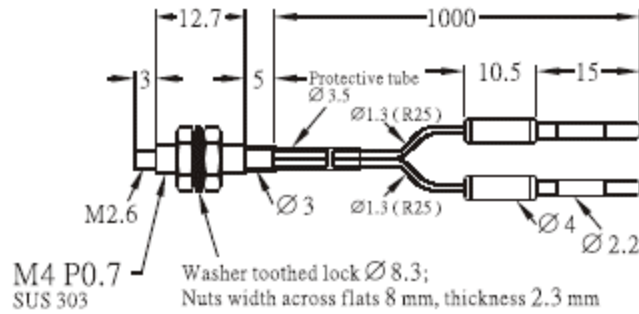
# FRB-410

Free cut

Ø 1.0 fiber optic core × 2



**RiKO**  
www.riko.com



# FRZ-410

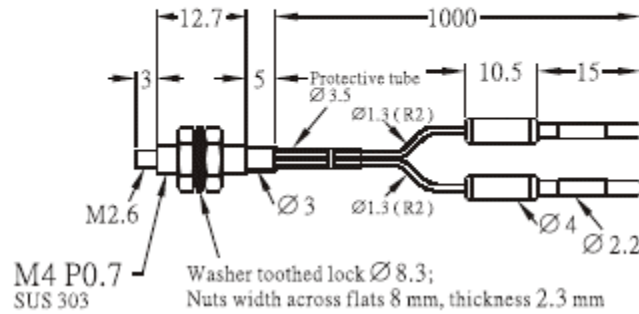
Minimum bend radius R2

Free cut

Ø 1.0 fiber optic core × 2



**RiKO**  
www.riko.com



# FRW-410

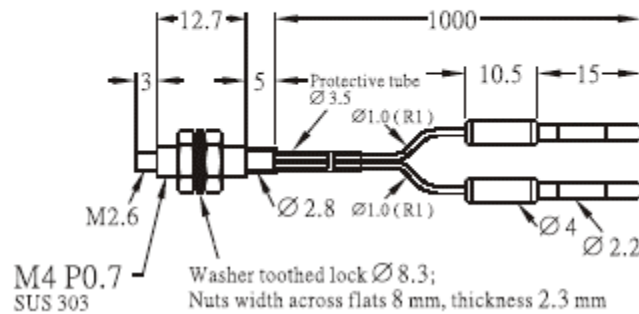
Minimum bend radius R1

Free cut

Ø 0.5 fiber optic core × 2



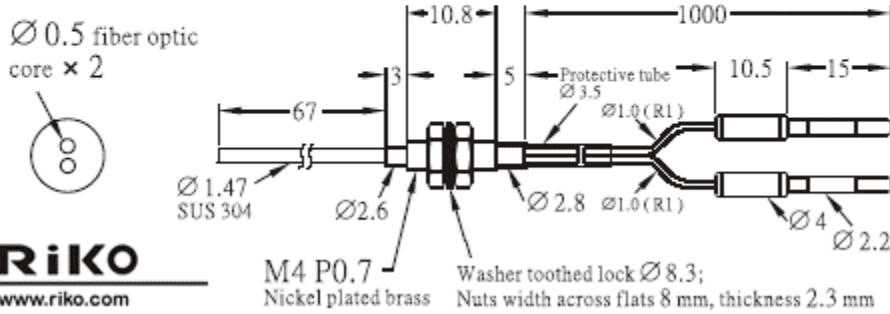
**RiKO**  
www.riko.com



# FRW-410-S67

Minimum bend radius R1

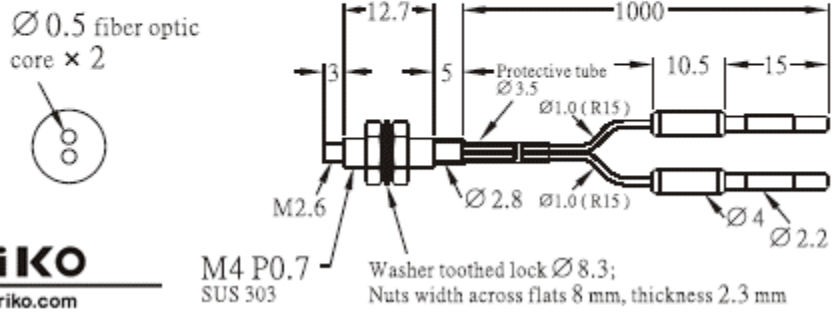
Free cut



**RiKO**  
www.riko.com

# FRS-410

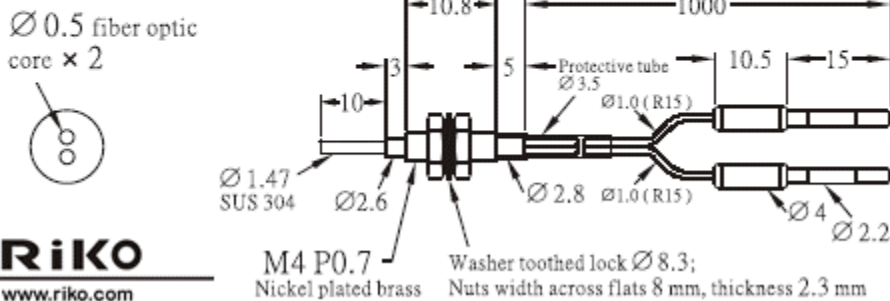
Free cut



**RiKO**  
www.riko.com

# FRS-410-I

Free cut



**RiKO**  
www.riko.com

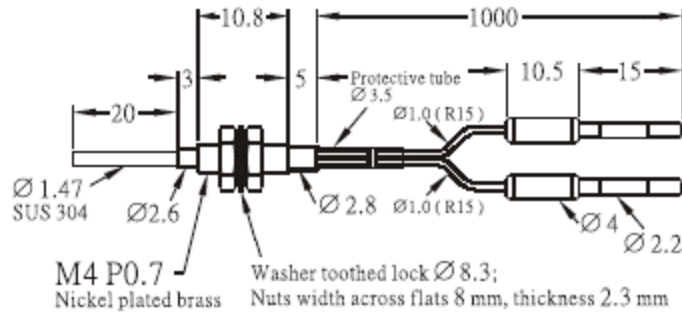
# FRS-410-S

Free cut

Ø 0.5 fiber optic core × 2



**RiKO**  
www.riko.com



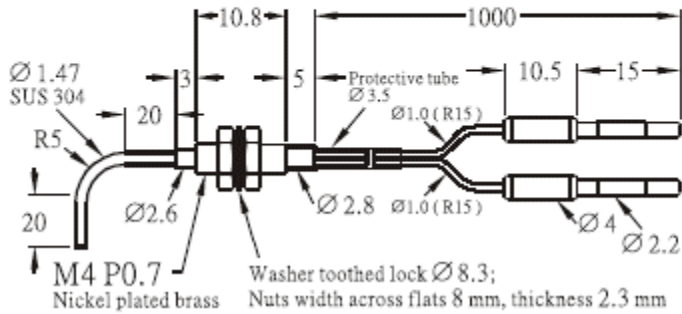
# FRS-410-MU

Free cut

Ø 0.5 fiber optic core × 2



**RiKO**  
www.riko.com



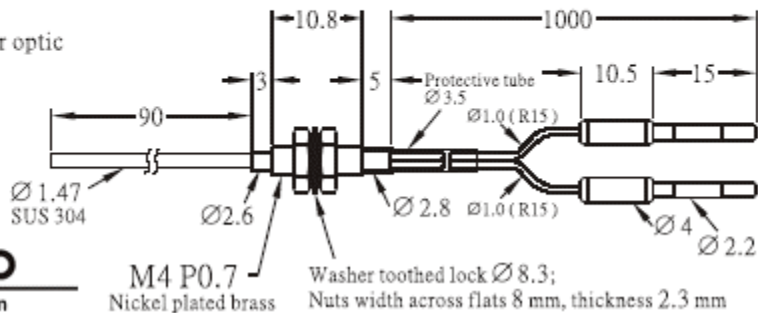
# FRS-410-L

Free cut

Ø 0.5 fiber optic core × 2



**RiKO**  
www.riko.com



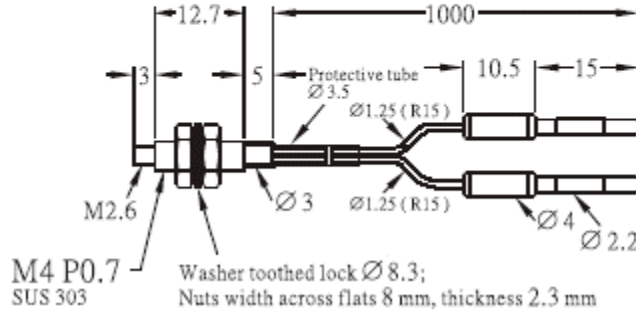
# FRD-410

Free cut

Ø 0.5 fiber optic core × 2



**RiKO**  
www.riko.com



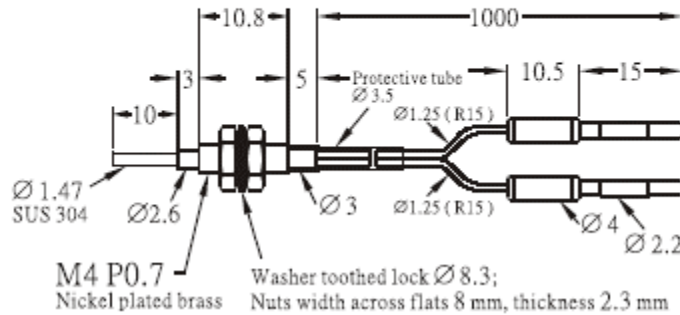
# FRD-410-I

Free cut

Ø 0.5 fiber optic core × 2



**RiKO**  
www.riko.com



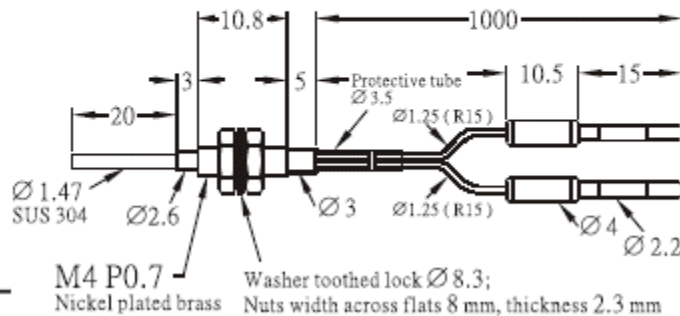
# FRD-410-S

Free cut

Ø 0.5 fiber optic core × 2

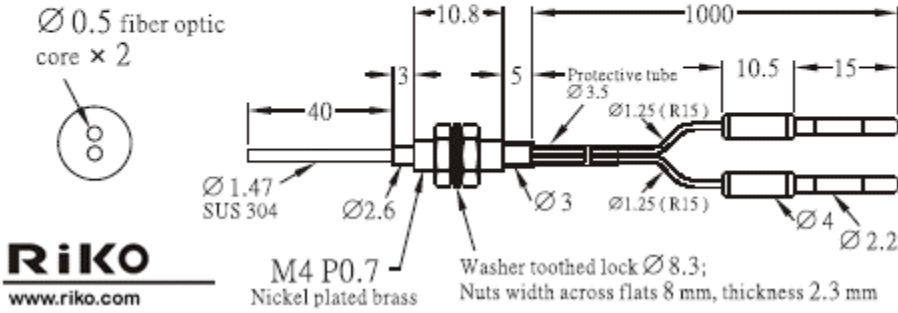


**RiKO**  
www.riko.com



# FRD-410-M

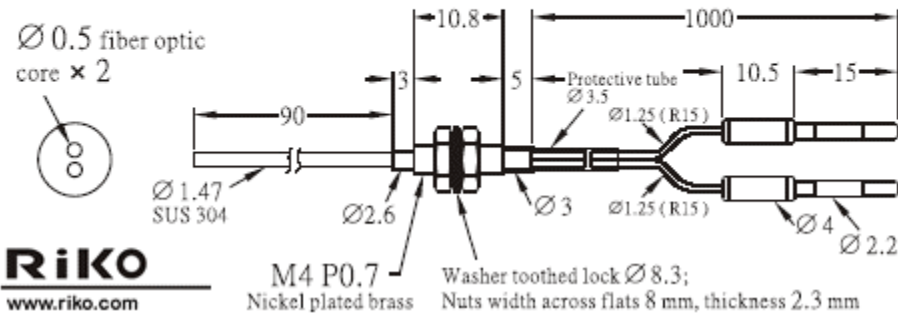
Free cut



**RiKO**  
www.riko.com

# FRD-410-L

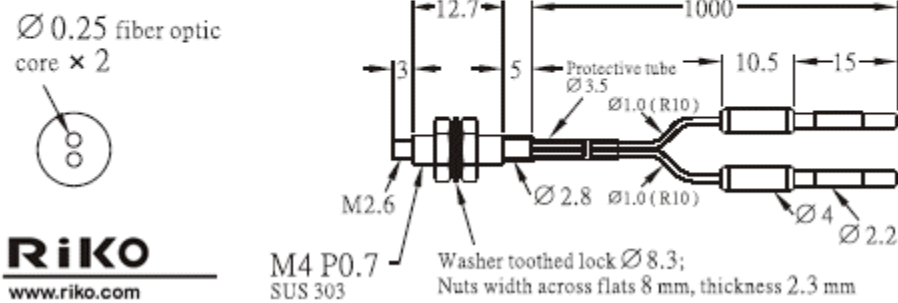
Free cut



**RiKO**  
www.riko.com

# FRE-410

Free cut



**RiKO**  
www.riko.com

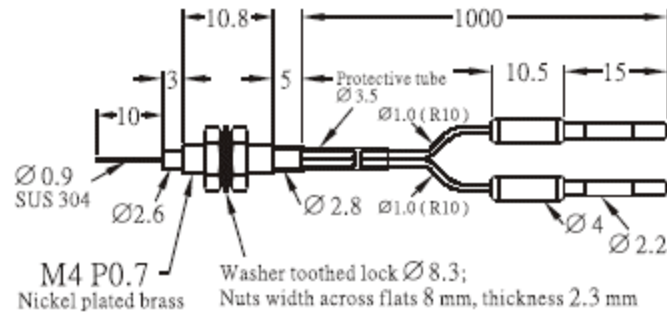
## FRE-410-I

Free cut

Ø 0.25 fiber optic core × 2



**RiKO**  
www.riko.com



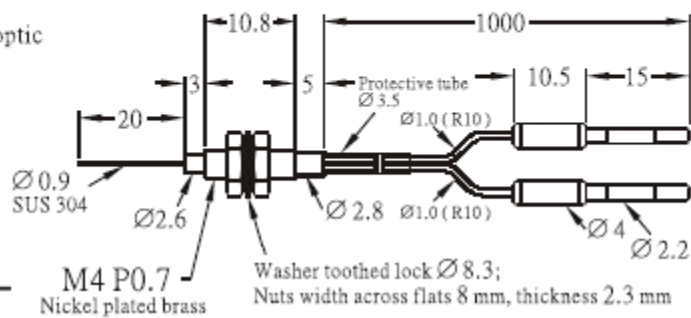
## FRE-410-S

Free cut

Ø 0.25 fiber optic core × 2



**RiKO**  
www.riko.com



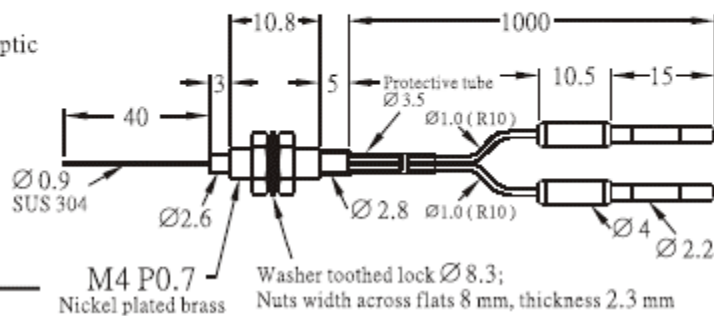
## FRE-410-M

Free cut

Ø 0.25 fiber optic core × 2



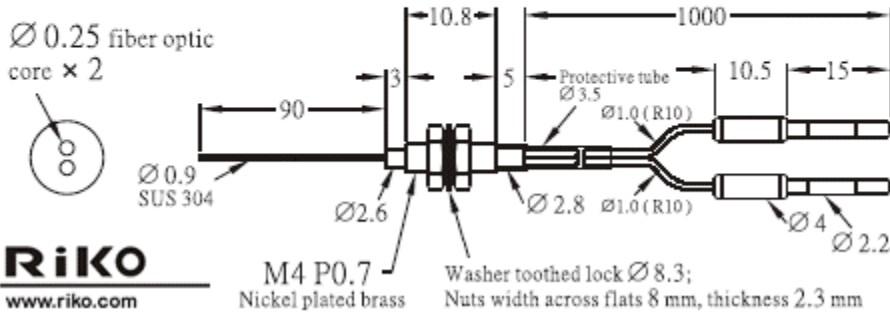
**RiKO**  
www.riko.com





# FRE-410-L

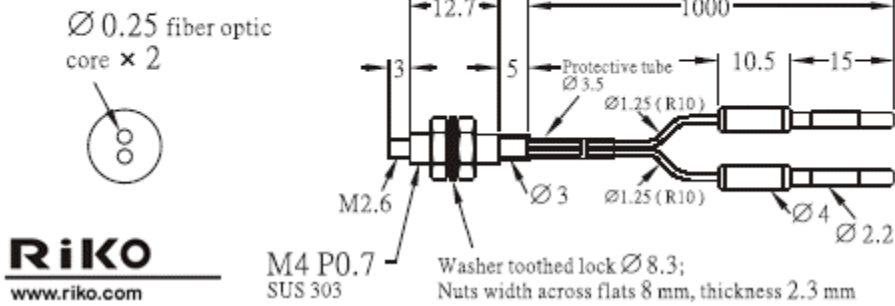
Free cut



**RiKO**  
www.riko.com

# FRA-410

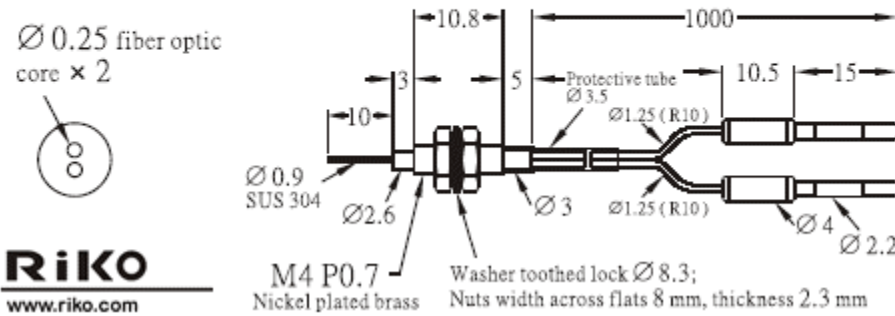
Free cut



**RiKO**  
www.riko.com

# FRA-410-I

Free cut



**RiKO**  
www.riko.com

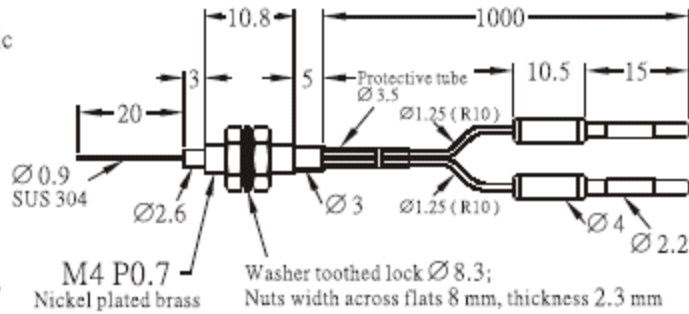
# FRA-410-S

Free cut

Ø 0.25 fiber optic  
core × 2



**RiKO**  
www.riko.com



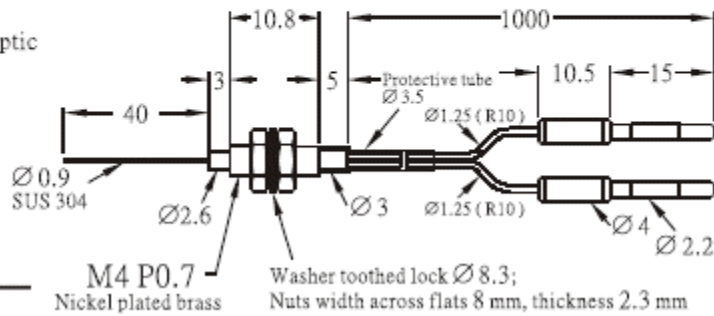
# FRA-410-M

Free cut

Ø 0.25 fiber optic  
core × 2



**RiKO**  
www.riko.com



# FRA-410-L

Free cut

Ø 0.25 fiber optic  
core × 2



**RiKO**  
www.riko.com

