

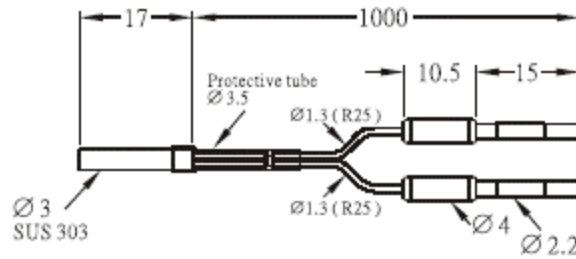
FRB-310-Q

Free cut

Ø 1.0 fiber optic
core × 2



RiKO
www.riko.com



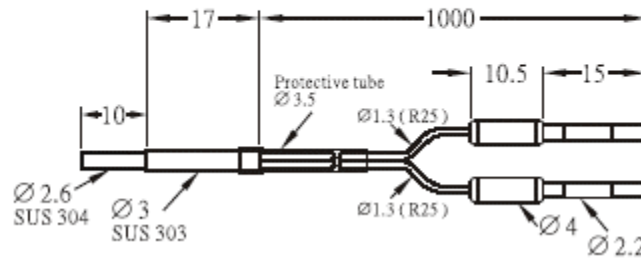
FRB-310-IQ

Free cut

Ø 1.0 fiber optic
core × 2



RiKO
www.riko.com



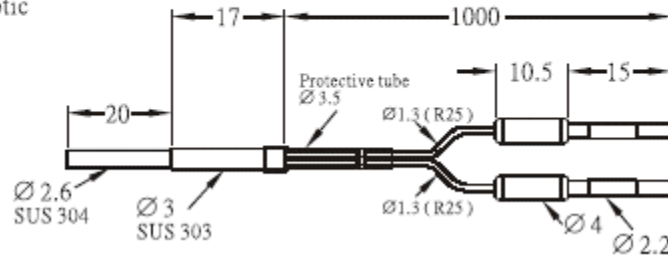
FRB-310-SQ

Free cut

Ø 1.0 fiber optic
core × 2

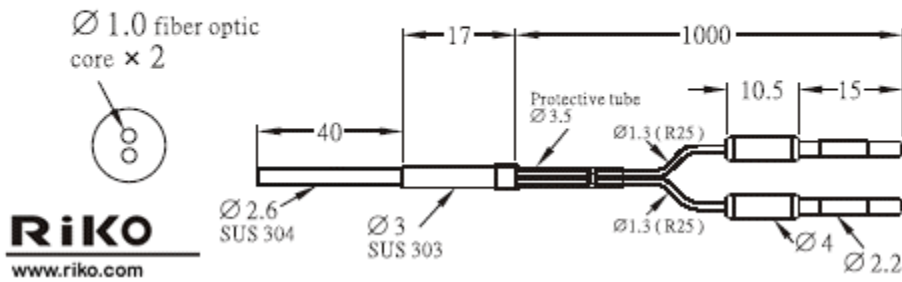


RiKO
www.riko.com



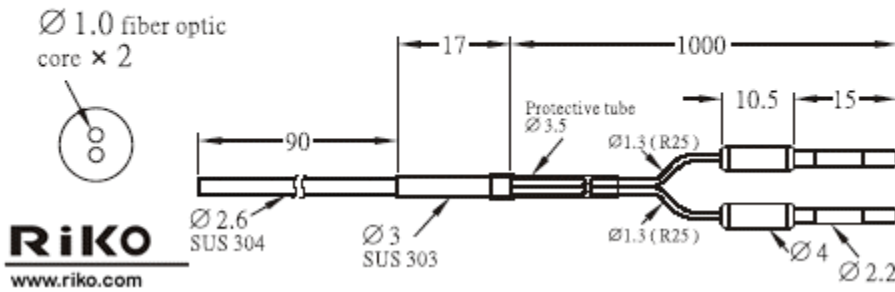
FRB-310-MQ

Free cut



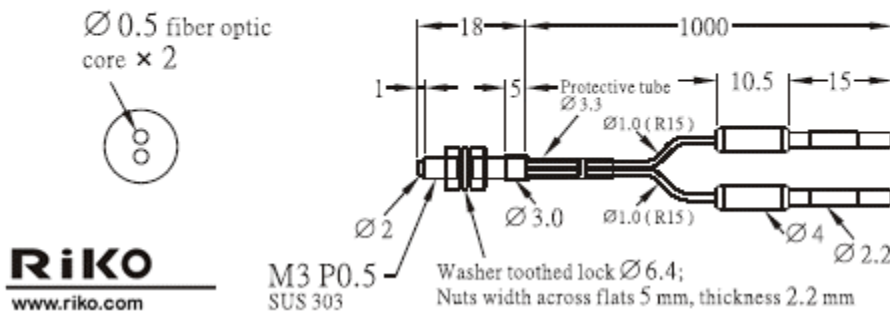
FRB-310-LQ

Free cut



FRS-310

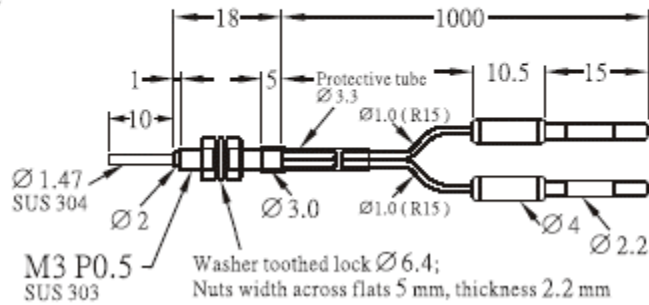
Free cut



FRS-310-I

Free cut

Ø 0.5 fiber optic
core × 2

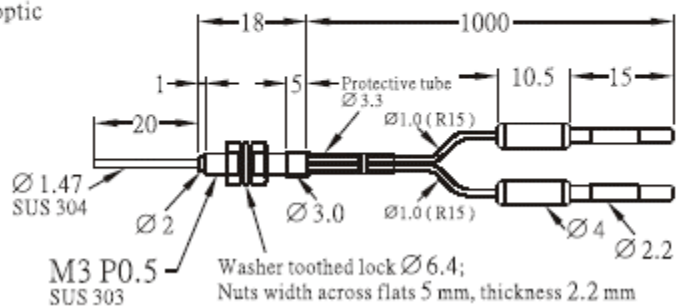


RiKO
www.riko.com

FRS-310-S

Free cut

Ø 0.5 fiber optic
core × 2

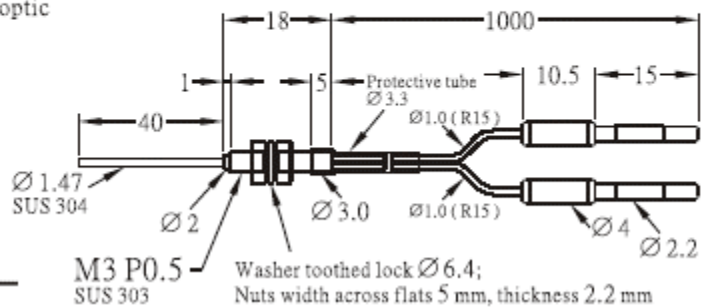


RiKO
www.riko.com

FRS-310-M

Free cut

Ø 0.5 fiber optic
core × 2

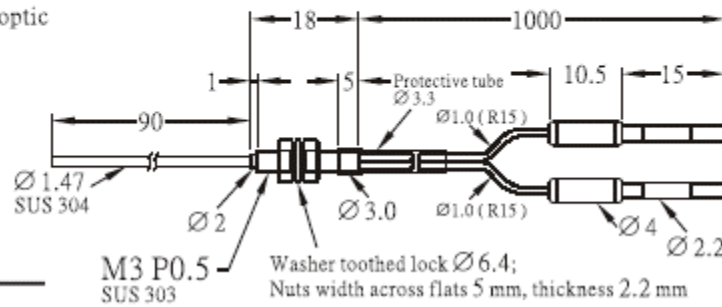


RiKO
www.riko.com

FRS-310-L

Free cut

Ø 0.5 fiber optic core × 2

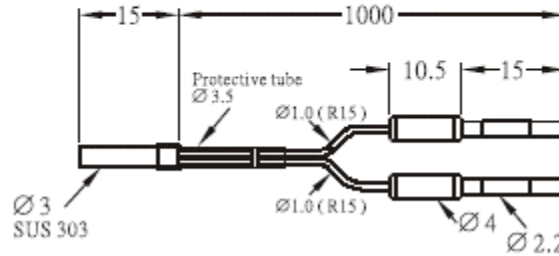


RiKO
www.riko.com

FRS-310-Q

Free cut

Ø 0.5 fiber optic core × 2

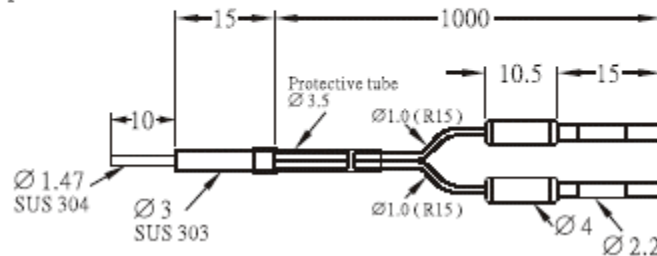


RiKO
www.riko.com

FRS-310-IQ

Free cut

Ø 0.5 fiber optic core × 2



RiKO
www.riko.com

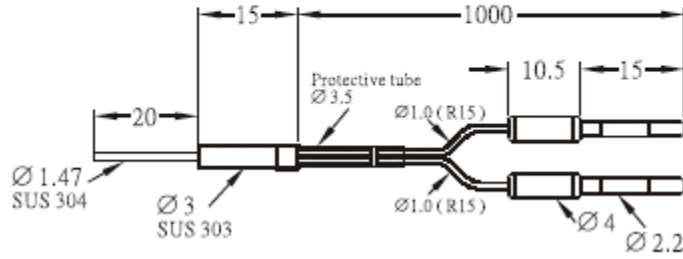
FRS-310-SQ

Free cut

Ø 0.5 fiber optic core × 2



RiKO
www.riko.com



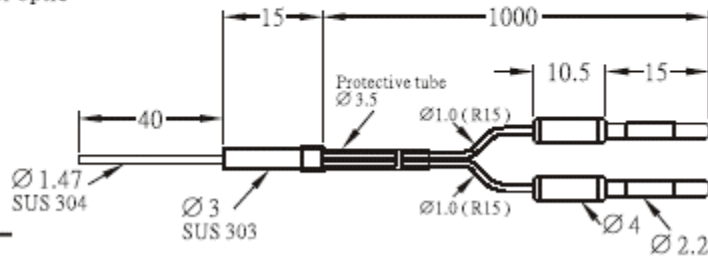
FRS-310-MQ

Free cut

Ø 0.5 fiber optic core × 2



RiKO
www.riko.com



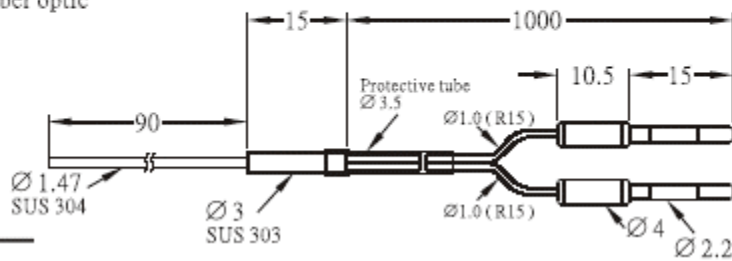
FRS-310-LQ

Free cut

Ø 0.5 fiber optic core × 2



RiKO
www.riko.com



FRC-310

Free cut

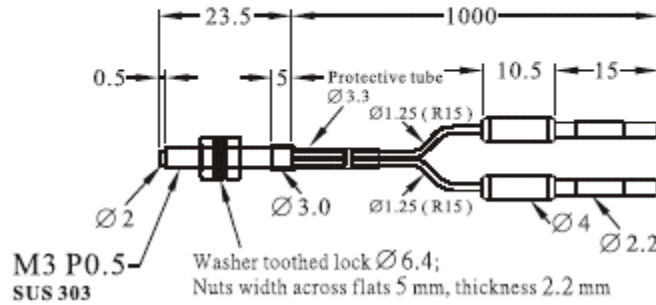
RiKO

www.riko.com

Ø 0.5 fiber optic core × 1 (emitter)



Ø 0.25 fiber optic core × 9 (receiver)



FRC-310-35FZ

Free cut

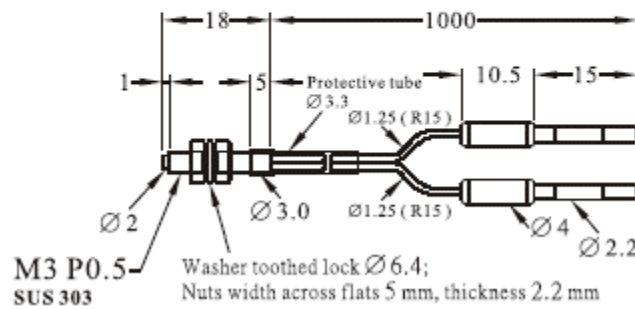
RiKO

www.riko.com

Ø 0.5 fiber optic core × 1 (emitter)



Ø 0.25 fiber optic core × 9 (receiver)



FRC-310-I

Free cut

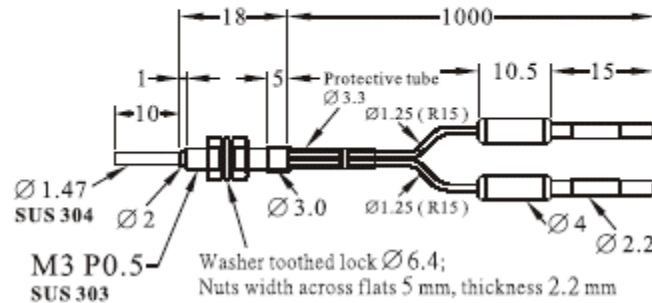
RiKO

www.riko.com

Ø 0.5 fiber optic core × 1 (emitter)



Ø 0.25 fiber optic core × 9 (receiver)



FRC-310-M

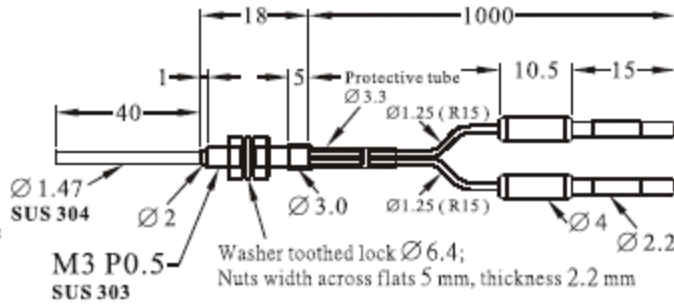
Free cut

RiKO

www.riko.com

Ø 0.5 fiber optic core × 1 (emitter)

Ø 0.25 fiber optic core × 9 (receiver)



FRC7-310

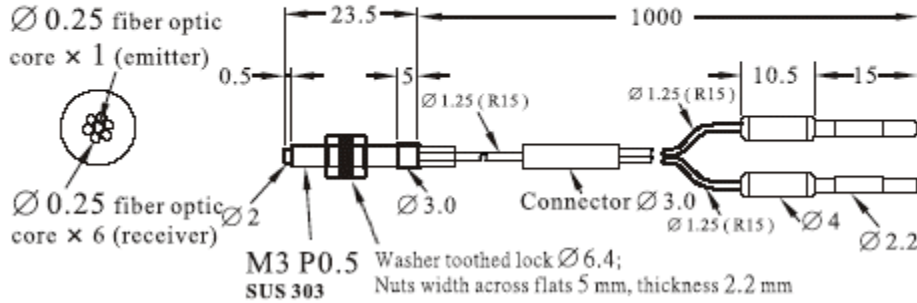
Free cut

RiKO

www.riko.com

Ø 0.25 fiber optic core × 1 (emitter)

Ø 0.25 fiber optic core × 6 (receiver)



FRC-310-Q

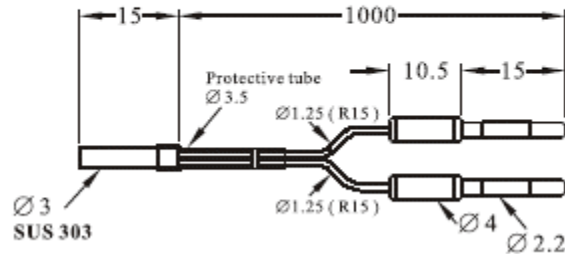
Free cut

RiKO

www.riko.com

Ø 0.5 fiber optic core × 1 (emitter)

Ø 0.25 fiber optic core × 9 (receiver)



FRC-310-IQ

Free cut

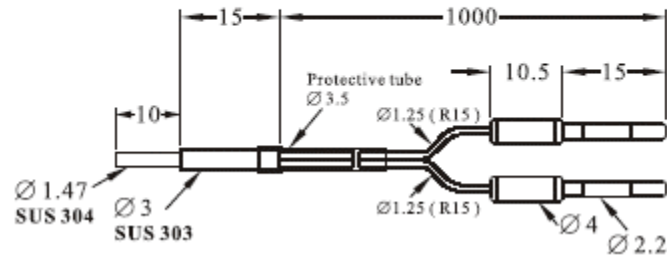
RiKO

www.riko.com

Ø 0.5 fiber optic core × 1 (emitter)



Ø 0.25 fiber optic core × 9 (receiver)



FRC-310-SQ

Free cut

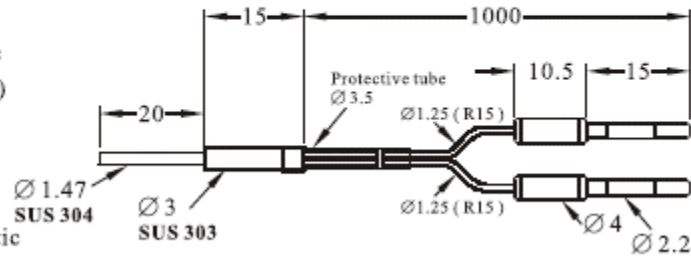
RiKO

www.riko.com

Ø 0.5 fiber optic core × 1 (emitter)



Ø 0.25 fiber optic core × 9 (receiver)



FRC-310-MQ

Free cut

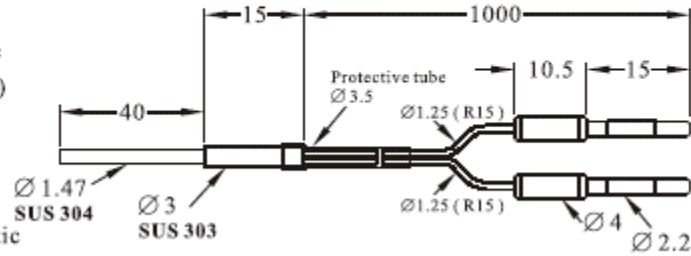
RiKO

www.riko.com

Ø 0.5 fiber optic core × 1 (emitter)



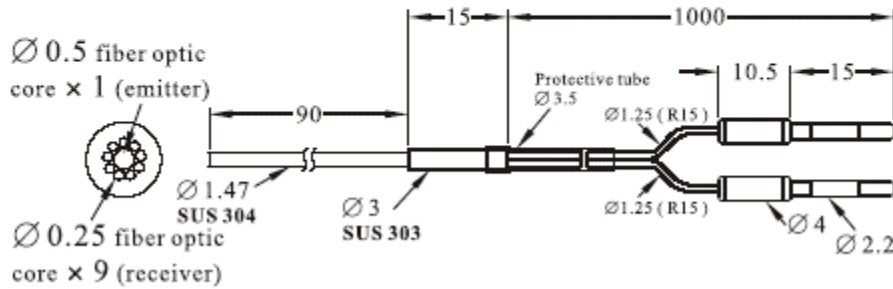
Ø 0.25 fiber optic core × 9 (receiver)



FRC-310-LQ

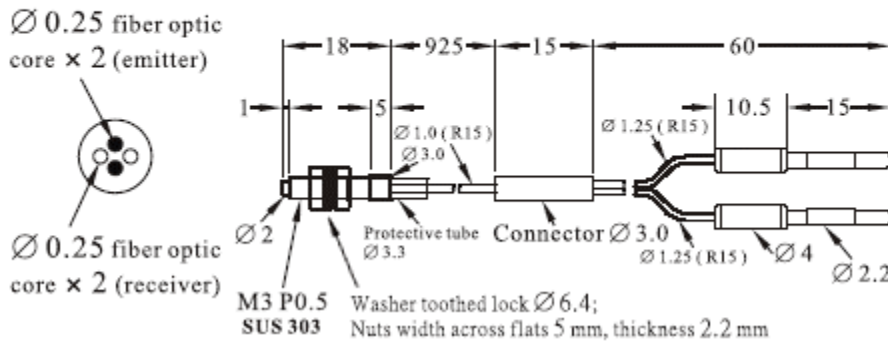
Free cut

RiKO
www.riko.com



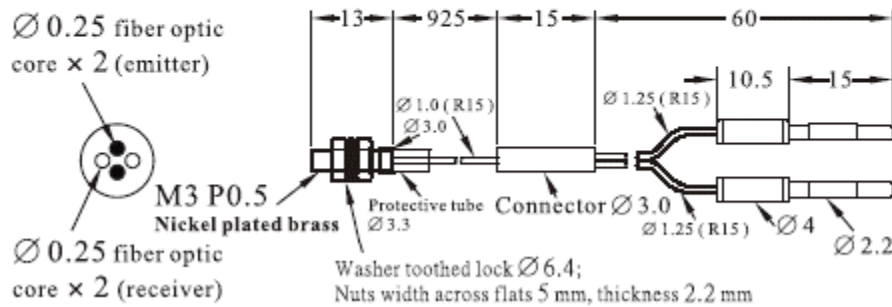
FRC4-310

RiKO
www.riko.com



FRC4-310-69X

RiKO
www.riko.com



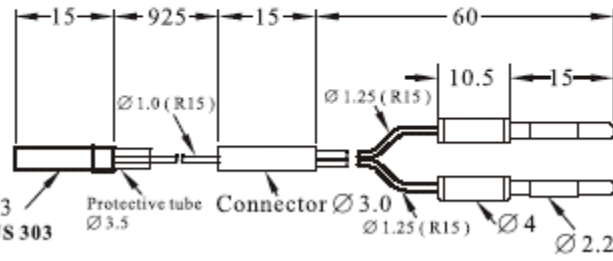
FRC4-310-Q

RiKO
www.riko.com

Ø 0.25 fiber optic
core × 2 (emitter)



Ø 0.25 fiber optic
core × 2 (receiver)



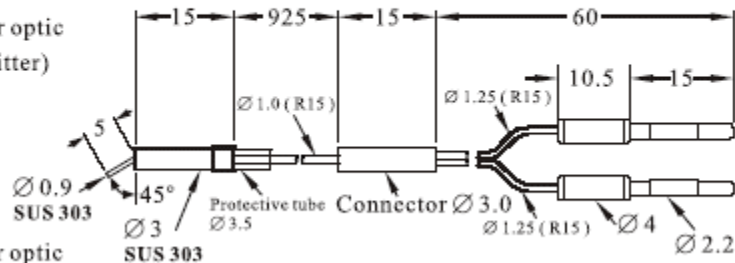
FRC4-310-QT

RiKO
www.riko.com

Ø 0.25 fiber optic
core × 2 (emitter)



Ø 0.25 fiber optic
core × 2 (receiver)



FRCC-310

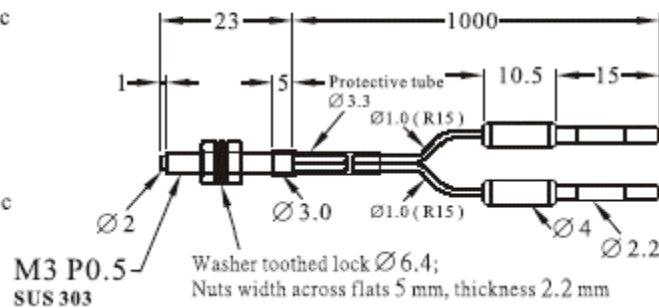
Free cut

RiKO
www.riko.com

Ø 0.25 fiber optic
core × 4



Ø 0.25 fiber optic
core × 4



FRCC-310-Q

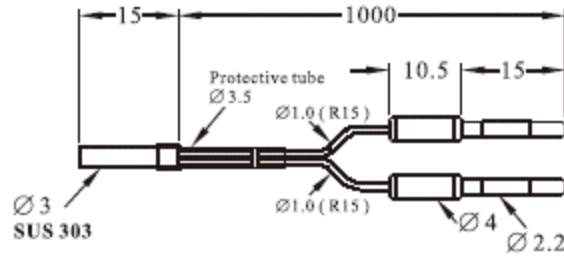
Free cut

RiKO
www.riko.com

Ø 0.25 fiber optic
core × 4



Ø 0.25 fiber optic
core × 4

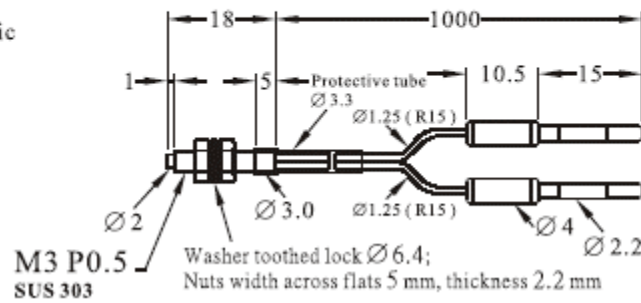


FRD-310

Free cut

RiKO
www.riko.com

Ø 0.5 fiber optic
core × 2

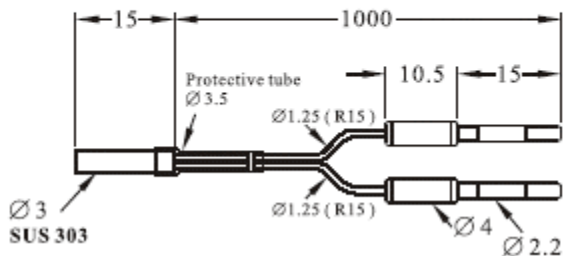


FRD-310-Q

Free cut

RiKO
www.riko.com

Ø 0.5 fiber optic
core × 2

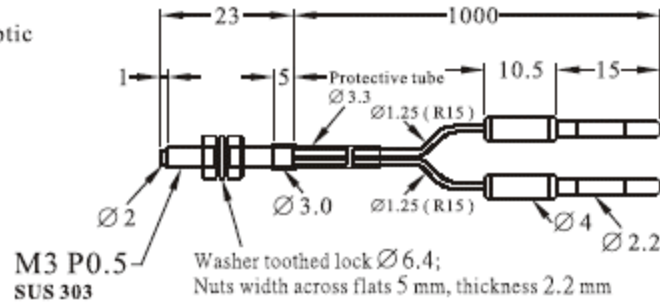


FRJ-310

Free cut

RiKO
www.riko.com

Ø 0.75 fiber optic
core × 2

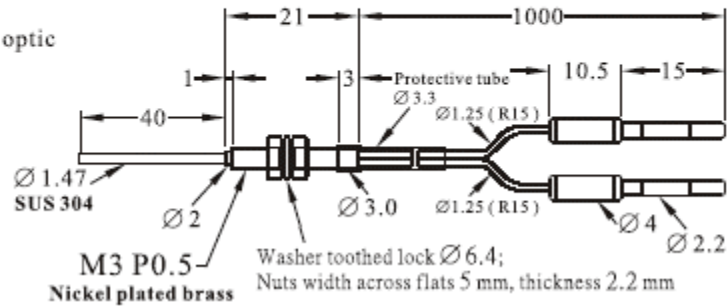


FRJ-310-M

Free cut

RiKO
www.riko.com

Ø 0.75 fiber optic
core × 2



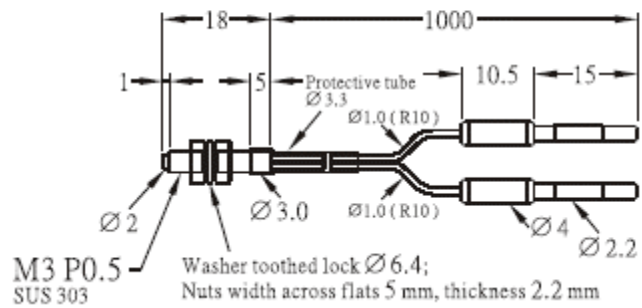
FRE-310

Free cut

Ø 0.25 fiber optic
core × 2



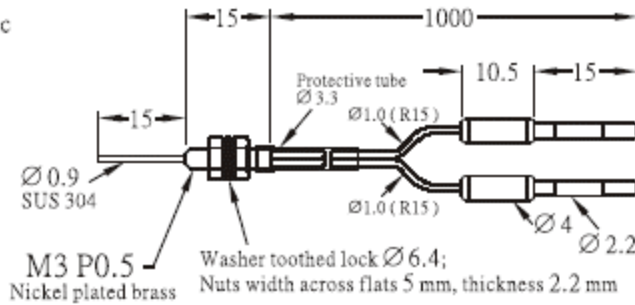
RiKO
www.riko.com



FRE-310-S15

Free cut

Ø 0.25 fiber optic core × 2

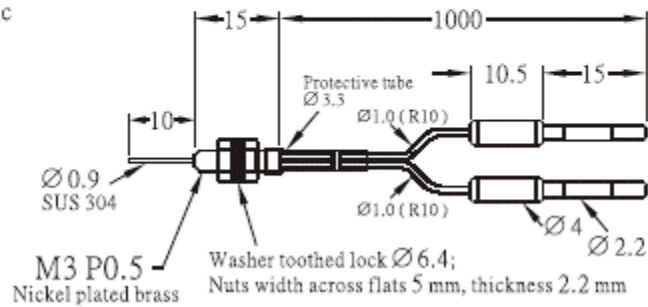


RiKO
www.riko.com

FRE-310-I

Free cut

Ø 0.25 fiber optic core × 2

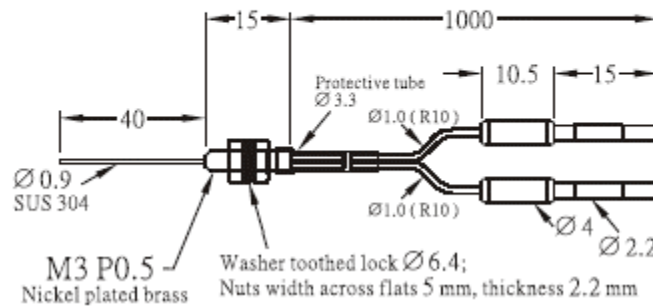


RiKO
www.riko.com

FRE-310-M

Free cut

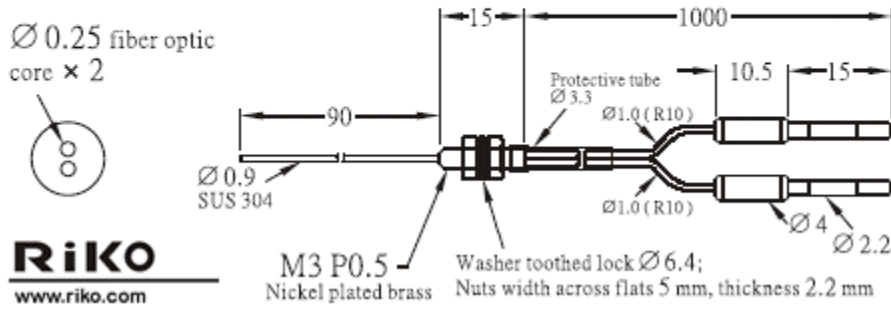
Ø 0.25 fiber optic core × 2



RiKO
www.riko.com

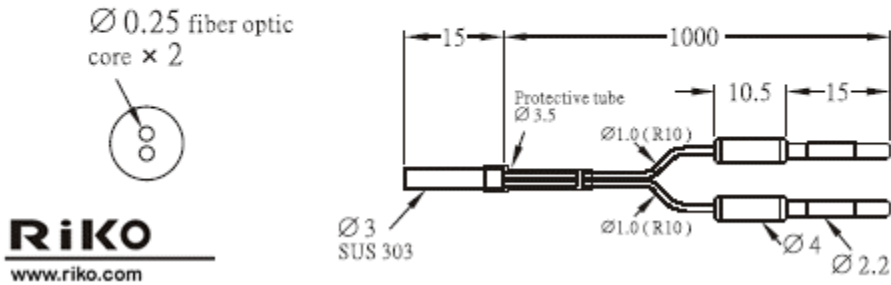
FRE-310-L

Free cut



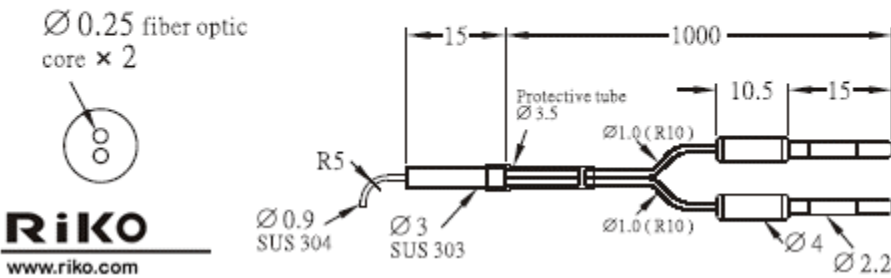
FRE-310-Q

Free cut



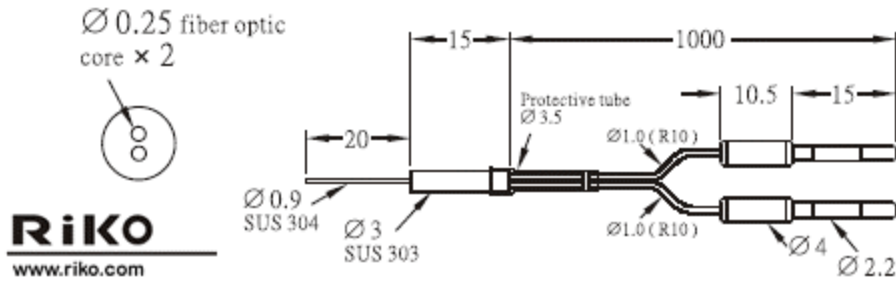
FRE-310-IQ-U

Free cut



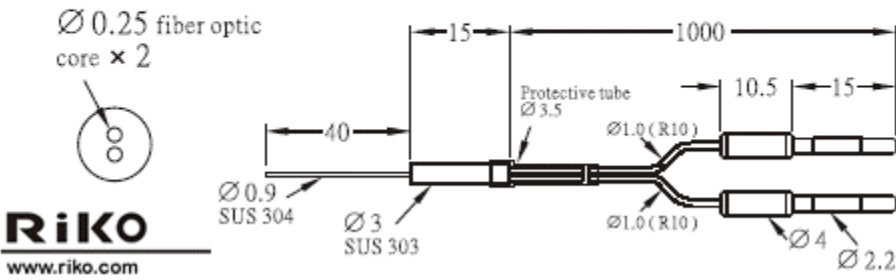
FRE-310-SQ

Free cut



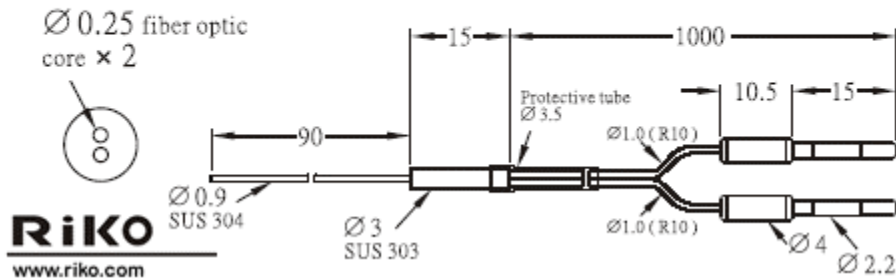
FRE-310-MQ

Free cut



FRE-310-LQ

Free cut



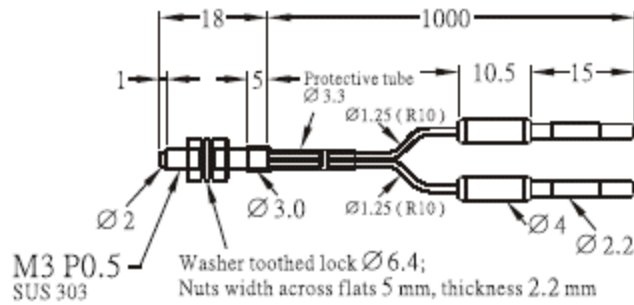
FRA-310

Free cut

Ø 0.25 fiber optic core × 2



RiKO
www.riko.com



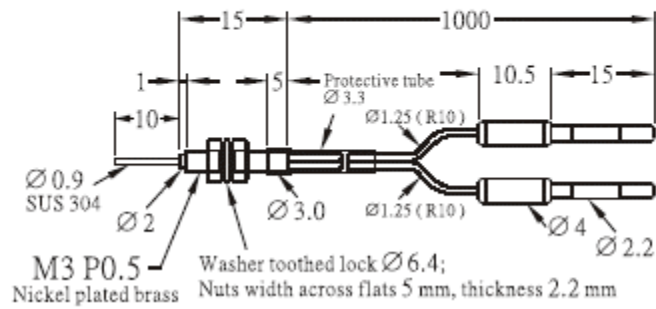
FRA-310-I

Free cut

Ø 0.25 fiber optic core × 2



RiKO
www.riko.com



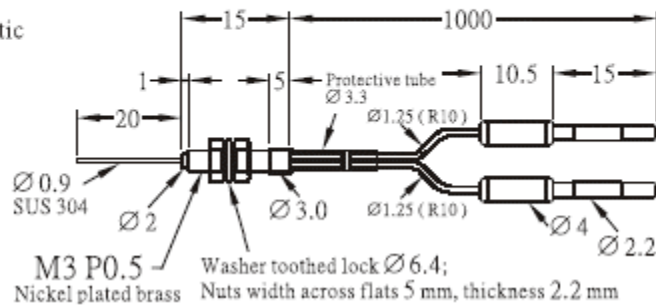
FRA-310-S

Free cut

Ø 0.25 fiber optic core × 2



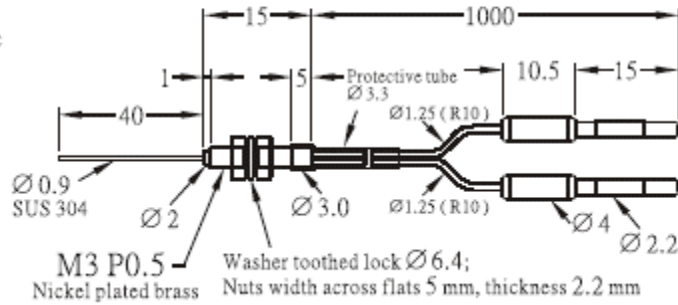
RiKO
www.riko.com



FRA-310-M

Free cut

Ø 0.25 fiber optic core × 2

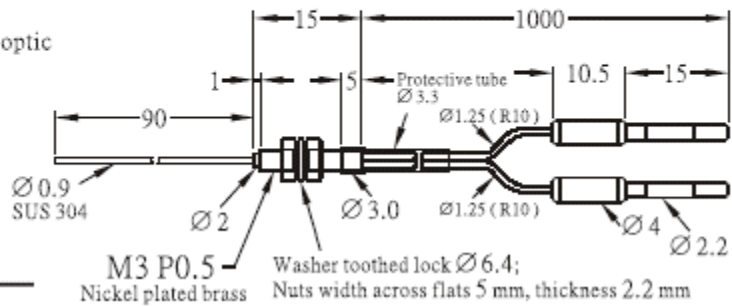


RiKO
www.riko.com

FRA-310-L

Free cut

Ø 0.25 fiber optic core × 2

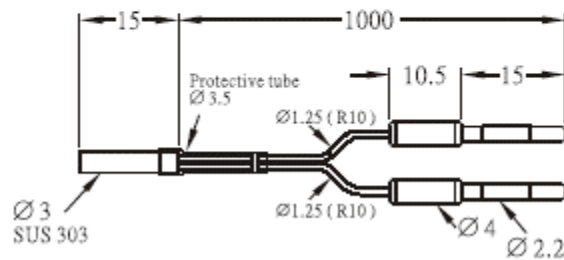


RiKO
www.riko.com

FRA-310-Q

Free cut

Ø 0.25 fiber optic core × 2



RiKO
www.riko.com

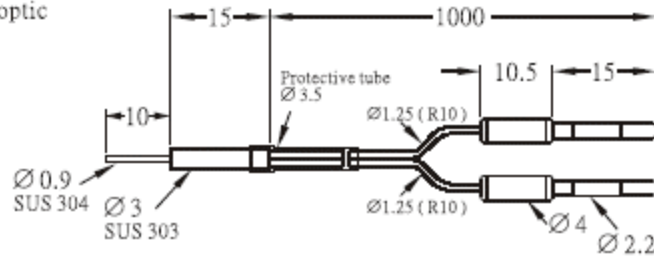
FRA-310-IQ

Free cut

Ø 0.25 fiber optic
core × 2



RIKO
www.riko.com



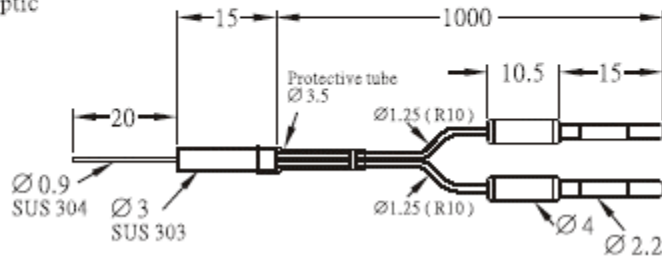
FRA-310-SQ

Free cut

Ø 0.25 fiber optic
core × 2



RIKO
www.riko.com



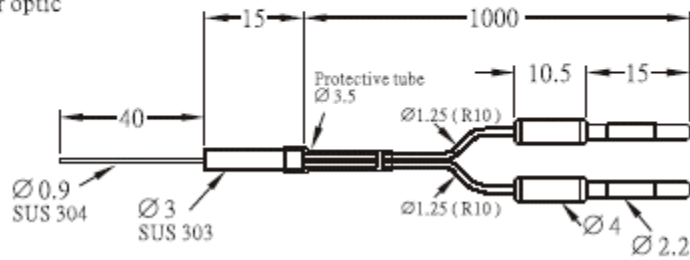
FRA-310-MQ

Free cut

Ø 0.25 fiber optic
core × 2

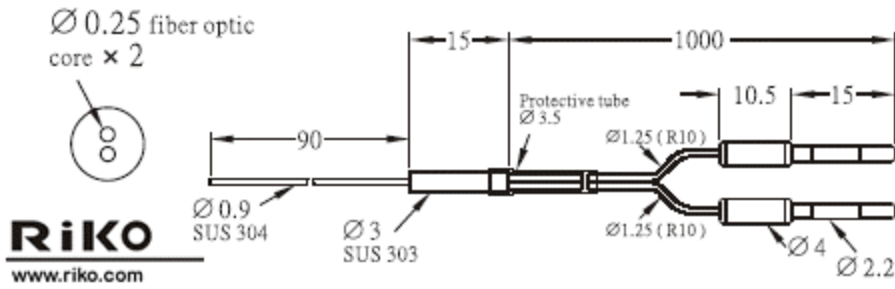


RIKO
www.riko.com



FRA-310-LQ

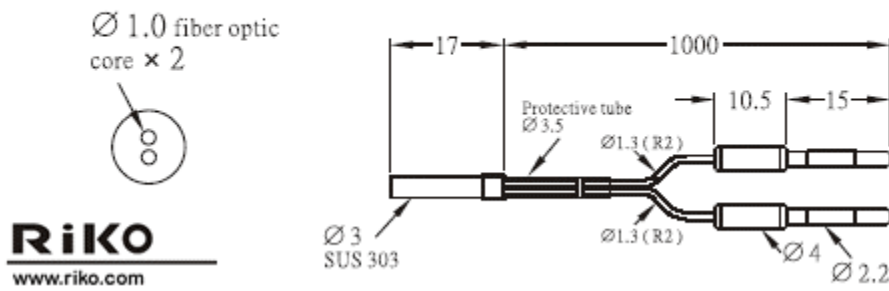
Free cut



FRZ-310-Q

Minimum bend radius R2

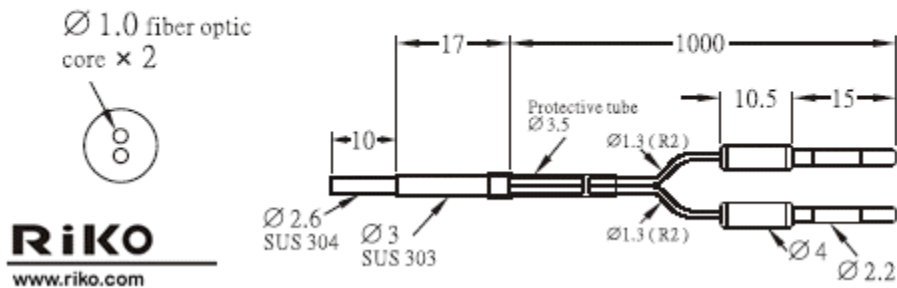
Free cut



FRZ-310-IQ

Minimum bend radius R2

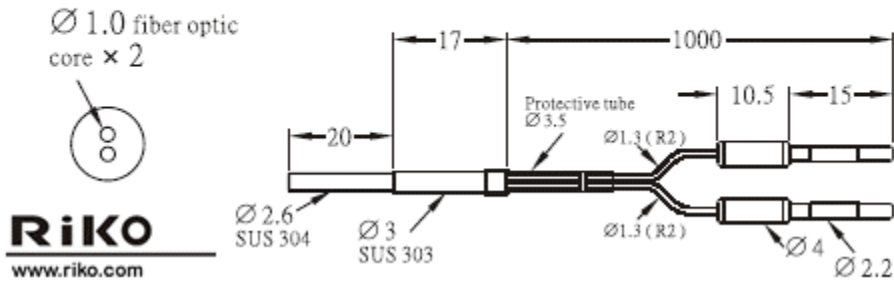
Free cut



FRZ-310-SQ

Minimum bend radius R2

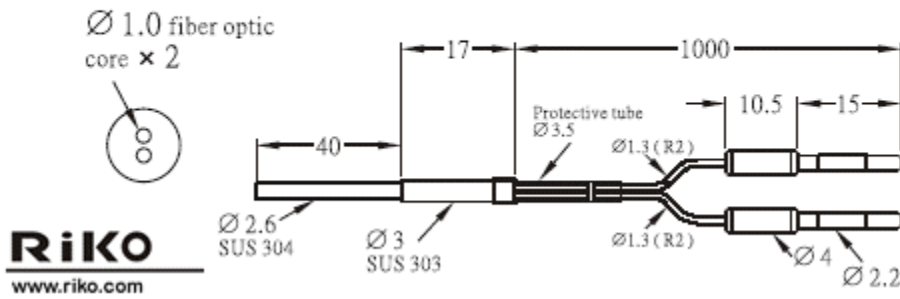
Free cut



FRZ-310-MQ

Minimum bend radius R2

Free cut



FRZ-310-LQ

Minimum bend radius R2

Free cut

