

Features:

Adopted ratch gear mechanism ensuring accurate indexing .

Driven by air cylinder, easy to adjust dividing speed.

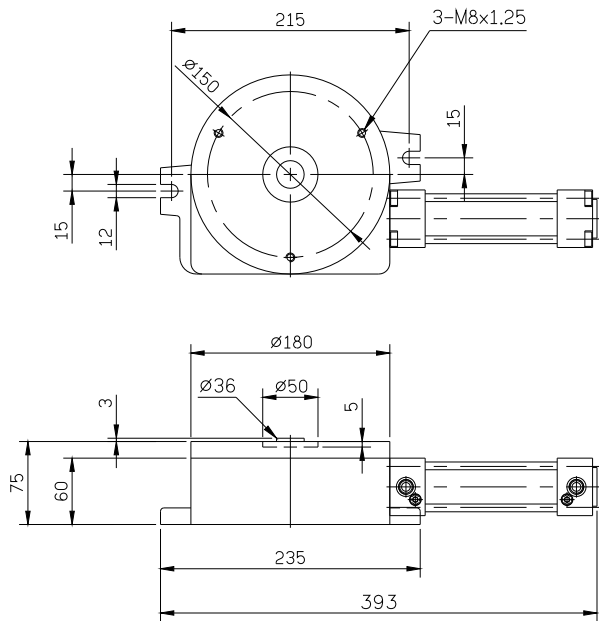
High repeatability, withstands applied heavy loading and torque.

Table rotation is available in clockwise and anti-clockwise direction.

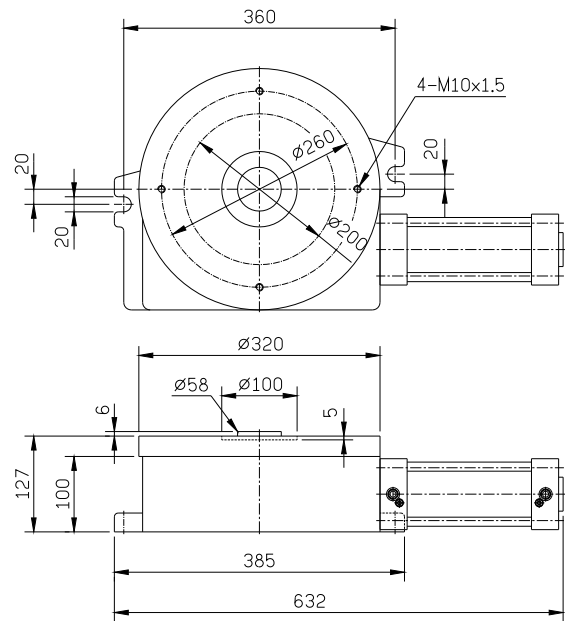
Standard divisions include 4, 6, 8, 12 and 24 stations, special divisions are available upon request.



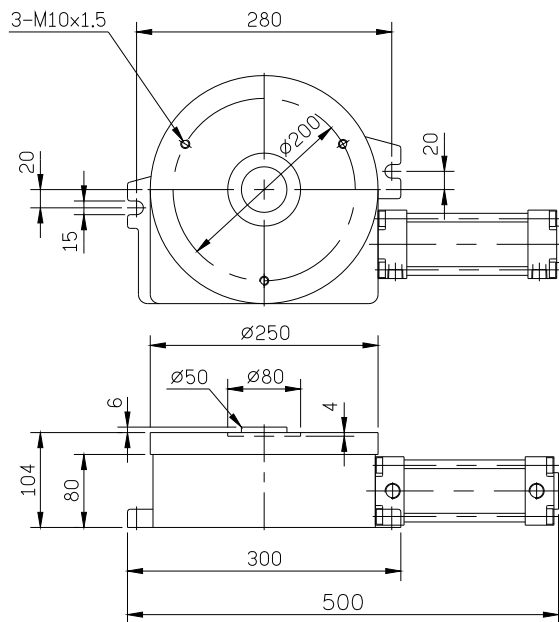
External Dimensions:



RY-180



RY-320



RY-250

	Division part Length	Division part				
		4	6	8	12	24
RY-180	L	393	373	358	348	338
RY-250	L	500	470	455	440	425
RY-320	L	632	587	562	542	522

TYPE	RY-180	RY-250	RY-320
Operating fluid	Compressed air	Compressed air	Compressed air
Operating pressure	0.49~0.69Mpa(5~7kgf/cm ²)	0.49~0.69Mpa(5~7kgf/cm ²)	0.49~0.69Mpa(5~7kgf/cm ²)
Rotary direction	clockwise	clockwise	clockwise
Allowable loading capacity	50 Kg	100 Kg	200 Kg
Weight	11 Kg	28 Kg	58 Kg
Height	75 mm	104mm	127 mm
Table diameter	180 mm	250 mm	320 mm
Division type	ratchet gear	ratchet gear	ratchet gear
Division part	adjustable 4, 6, 8, 12, 24	adjustable 4, 6, 8, 12, 24	adjustable 4, 6, 8, 12, 24
Division precision	±0.02mm	±0.02mm	±0.02mm
Max.diameter of auxiliary table	280 mm	400 mm	600 mm
Cylinder	ø40x75	ø63x100	ø80x145

✕ We reserve the right to revise the external dimensions.